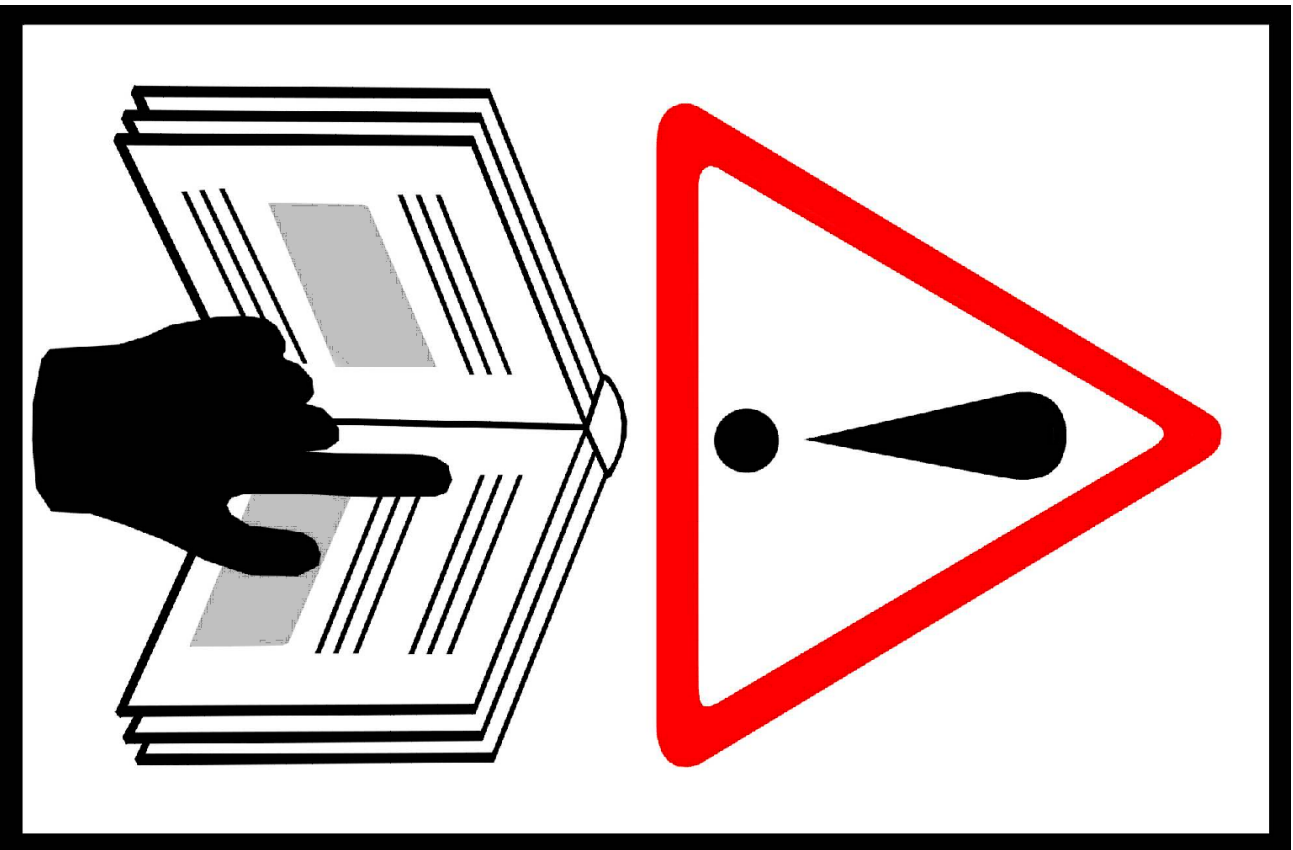


IMPORTANT!

**INSTALLATION
INSTRUCTIONS**

**READ THIS MANUAL
FULLY BEFORE
UNPACKING AND
ASSEMBLING
ANTENNA**



Sentinel™ 1ft and 2ft Class 4 Antenna mount assembly, installation & adjustment

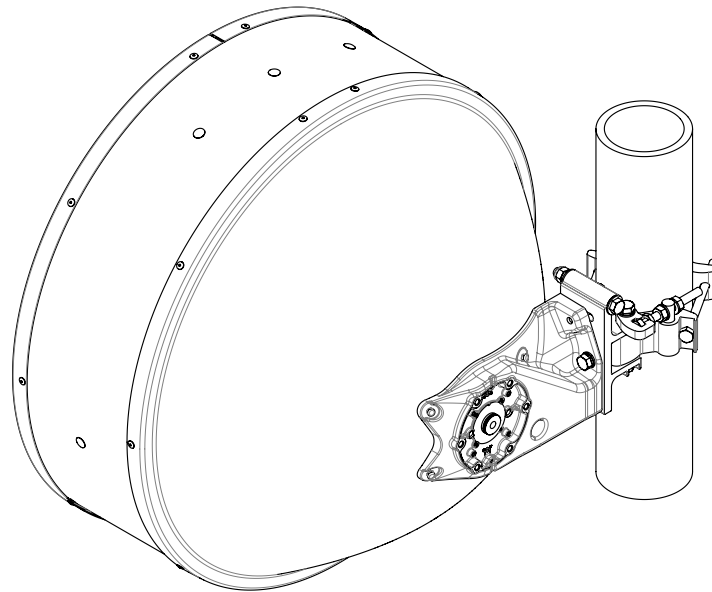


Bulletin 7713858 page 2 of 16

Version 03 Status RE Rev D

Model Version 01 Status RE Rev B

This document is for the following: SHP(X)1/2-*** 0.3, 0.6m ANTENNA



SAFETY

ANTENNA INSTALLATION, MAINTENANCE OR REMOVAL MUST BE PERFORMED BY QUALIFIED EXPERIENCED INSTALLER.

It is essential that all appropriate national and local safety regulations be strictly observed to ensure the safety of personnel and to prevent damage to the equipment. CommScope cannot accept responsibility for accidents resulting from non-compliance with such regulations.

The Antenna is designed to attach to a vertical tower pipe of diameter 50-120mm
The mount provides adjustment ranges of $\pm 15^\circ$ fine elevation and $\pm 180^\circ$
($\pm 15^\circ$ Fine) azimuth.

Always read the entire manual before commencing installation.

WARNING

Do not use any installation components (screws, nuts, etc) other than with the equipment or recommended by the supplier

Andrew Solutions

Customer Service 24 hours

U.S.A., Canada, Mexico: 1-800-255-1479
or 1-888-235-5732
U.K.: 0800 250055
Other Europe: +44 592 782 612

www.commscope.com/andrew

Visit our Web site at www.commscope.com/andrew or contact your local Andrew Solutions representative for more information.
© 2008 CommScope, Inc. All rights reserved.
Andrew Solutions is a trademark of CommScope. All trademarks identified by ® or ™ are registered trademarks or trademarks, respectively, of CommScope. This document is for planning purposes only and is not intended to modify or supplement any specifications or warranties relating to Andrew Solutions products or services.

Notice: Andrew disclaims any liability or responsibility for the results of improper or unsafe installation, inspection, maintenance, or removal practices.
Aviso: Andrews no acepta ninguna obligacion ni responsabilidad como resultado de practicas incorrectas o peligrosas de instalacion, inspeccion, mantenimiento o retire.
Avis : Andrew decline toute responsabilite pour les consequences de procedures d'installation, d'inspection, d'entretien ou de retrait incorrectes ou dangereuses.
Hinweis: Andrew lehnt jede Haftung Oder Verantwortung fur Schaden ab, die aufgrund unsachgemaBer Installation, Uberprufung, Wartung Oder Demontage auftreten.
Atencao: A Andrew abdica do direito de toda responsabilidade pelos resultados de praticas inadequadas e sem seguranca de instalacao, inspecao, manutengao ou remocao.
Awertenza: Andrew declina eventual! responsabilita dervanti dell'esecuzione di procedure di installazione, ispezione, manutenzione e smontaggio improprie o poco sicure.

注意：Andrew 公司申明對於不恰當或不安全的安裝、檢驗、維修或拆卸操作所導致的後果不負任何義務和責任



LIST OF CONTENTS

<u>SECTION</u>	<u>TITLES</u>
1	INTRODUCTION
2	SAFETY INSTRUCTIONS Including Introduction, Standards, Safety Requirements, Safety Symbols, Definitions and Hazards.
3	EQUIPMENT & TOOLS Including Equipment supplied diagram, Equipment quantities and descriptions. Tools required.
4	UNPACKING Including Unpacking of antenna parts.
5	MOUNT ATTACHMENT AND ALIGNMENT Including Basic alignment, Attaching the antenna to the pole, Fitting the mount, Elevation alignment, Azimuth alignment and tightening fasteners instruction.
6	GENERAL INFORMATION Including maintenance and cleaning instructions.

INTRODUCTION

This instruction describes how to assemble a SHP(X)1/2 antenna.

The antenna can be mounted with the mount offset to the left or to the right. Offset left is described in this bulletin, however the images showing offset right installation are shown at the end of this document.

SAFETY INSTRUCTIONS**INTRODUCTION**

This section describes the system used for presenting safety information.



Reduce the risk of accidents by studying all the instructions carefully before you start working.

The safety information in the relevant manuals presupposes that any person performing work on CommScope products or systems has the education, training and competence required to perform the task correctly.

SAFETY REQUIREMENTS

The safety requirements in the following sections must be followed to avoid personal injury and damage to tangible property.

It is the responsibility of the installer to ensure that local regulations and the safety instructions in this manual are known and followed.

SERVICE PERSONNEL

Installation and service must be carried out by authorized personnel having the appropriate technical training and experience necessary to be cognizant of hazards during installation and service, and of measures to minimize any danger to themselves or any other person.

SAFETY REGULATIONS

Use local safety regulations where these are mandatory. The safety instructions in this manual shall be used as a supplement to the local regulations.

In case of conflict between the safety instructions in this manual and the local safety regulations, the local safety regulations shall prevail if these are mandatory. If the local regulations are not mandatory the safety instructions in this manual shall prevail.

INSTALLATION HARDWARE

Do not use any installation components (for example screws and nuts) other than those enclosed with the equipment or recommended by CommScope.



Use protective wear to avoid skin contact with conductive grease. Keep away from mouth. Wash thoroughly after use with liberal amounts of liquid soap and rinse with water. Do not store open near food or food substances.

Contents: Oil, clay & zinc dust.

INSTALLATION PROCEDURES & TOOLS

The installation procedures in this manual must be followed. Make sure that:

- Working instructions are followed.
- Recommended tools are used.
- Adequate safety devices are used.
- Adequate care is taken to prevent damage to antenna parts
- The risk of falling and falling objects is known.
- All hardware is tightened to the torques specified $\pm 5\%$. The integrity of the antenna depends on all fasteners being tightened correctly.

ANNUAL INSPECTION

Antenna systems should be inspected once a year by qualified personnel to verify proper installation, maintenance, and condition of equipment.

SAFETY SYMBOLS & DEFINITIONS

HOISTING



WARNING!

Falling objects can cause accidents.

-
-
- Use only tested and approved hoisting equipment in accordance with the instructions supplied with the equipment. Appropriately trained personnel must operate the hoisting device.
 - Always hoist the equipment in the specified hoisting points.
 - Never walk under hoisted loads.
 - Follow local regulations for safety clothing and safety equipment for hoisting or moving goods.

WORKING AT HEIGHTS



WARNING!

Some working areas involve the risk of accidents caused by falling or by falling objects

Table 1 Supplied Equipment and Tools

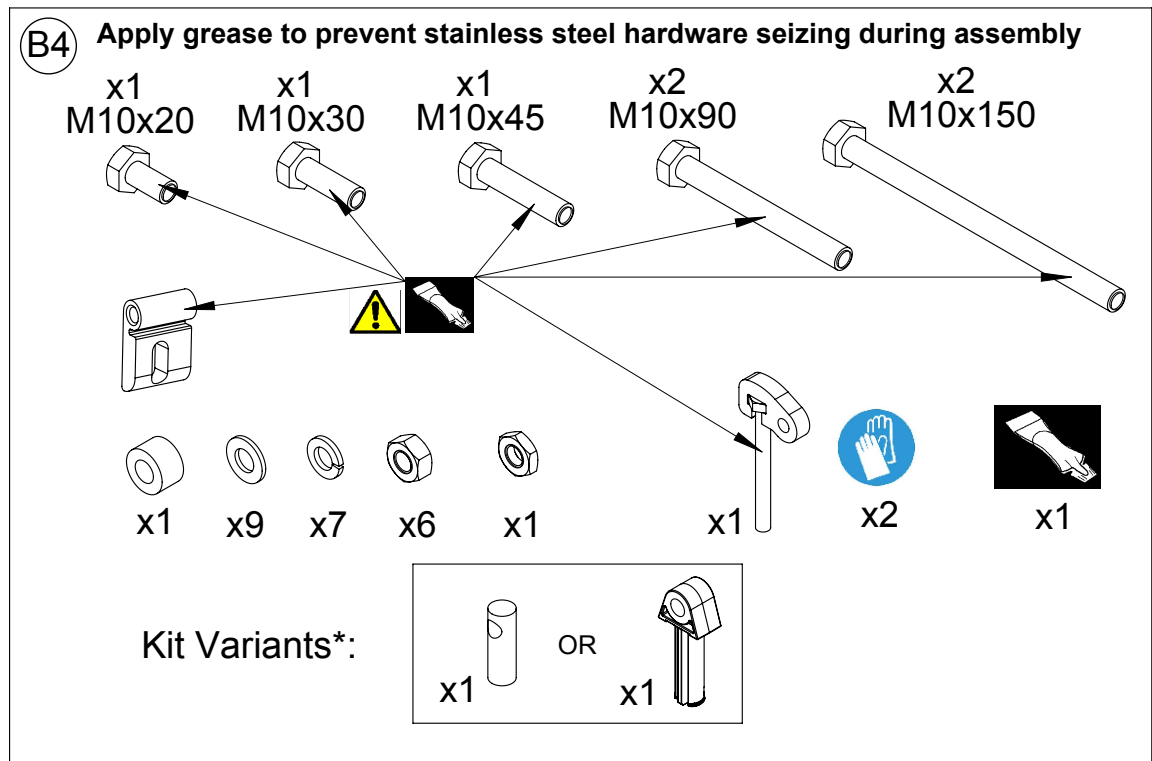
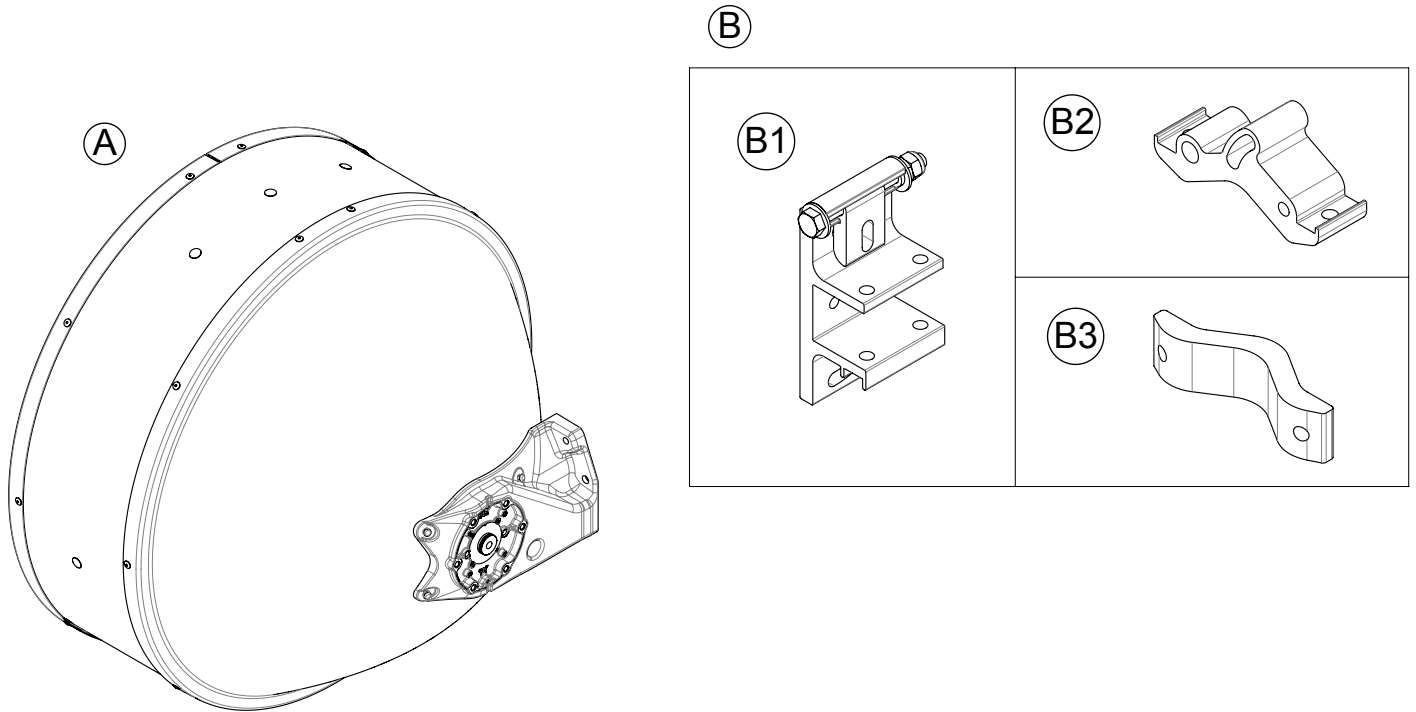
Item	Qty	Description	Contained in Kit Part No
A	1	Reflector Assembly	
B		Mount Kit	7705250
B1	1	Elevation Adjuster Assembly	7705239
B2	1	Pipe clamp	7676242
B3	1	V Clamp Bracket	7676245
B4		Mount Hardware Kit	7724926
	1	Azimuth Adjuster Assembly	7692243
	1	Adjuster Boss	
	1	Nut,Hex Thin,M10,sst,Pass	
	6	Nut,Hex,DIN 934,M10,sst,Pass	
	7	Wshr,LK,Split,M10,sst,Pass	
	9	Wshr,FLT,M10,10.5X20X2,sst,Pass	
	1	Scr,HCS,Hex,M10X20,sst,Pass	
	1	Scr,HCS,Hex,M10X30,sst,Pass	
	1	Scr,HCS,Hex,M10X45,sst,Pass	
	2	Scr,HCS,Hex,M10X90,sst,Pass	
	2	Scr,HCS,Hex,M10X150,sst,Pass	
	1	Conductive Grease (Tube)	
	2	Gloves	
	1	Spacer	

Tools

TOOL REQUIREMENTS

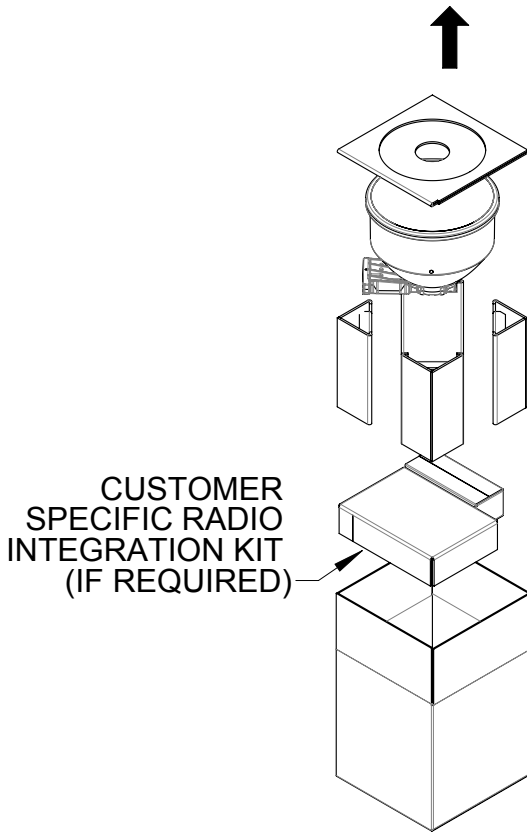
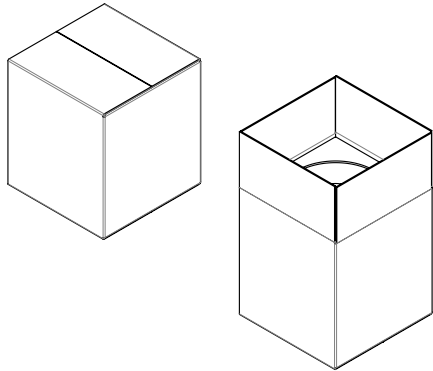
Tools Required	Thread Diameter
	M10
Ring and Open Spanner (A/F)	17mm
Torque Wrench	
Sockets (A/F)	17mm

Equipment

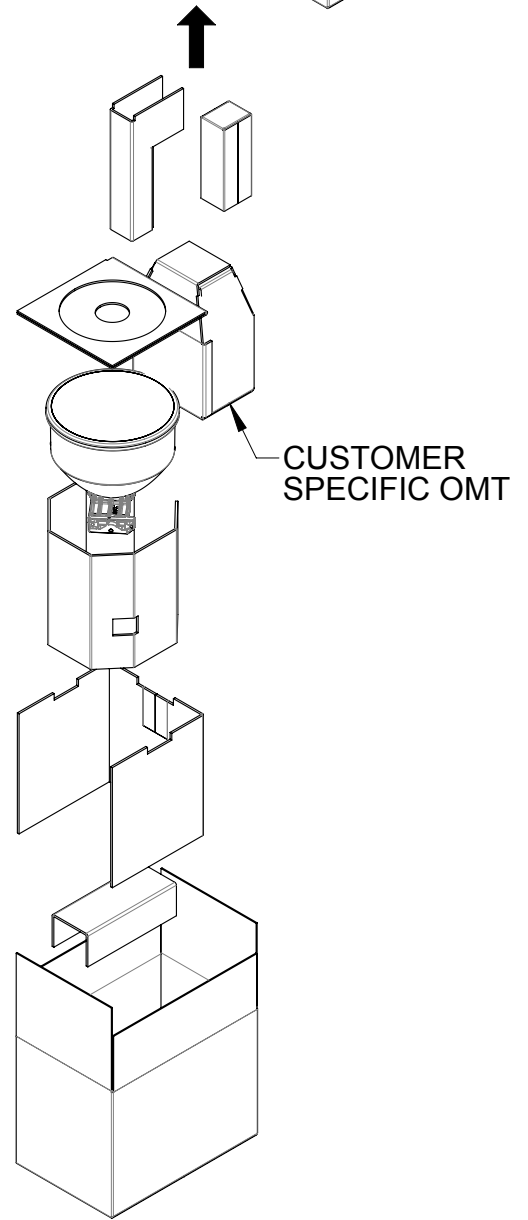
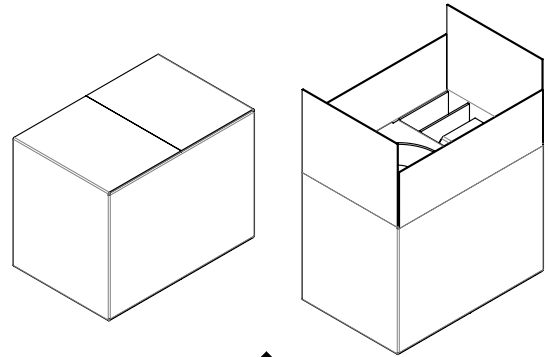


* No functional change between kit variants.

1ft Unpacking



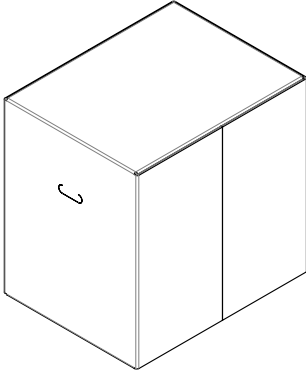
STANDARD AND CUSTOMER SPECIFIC SP



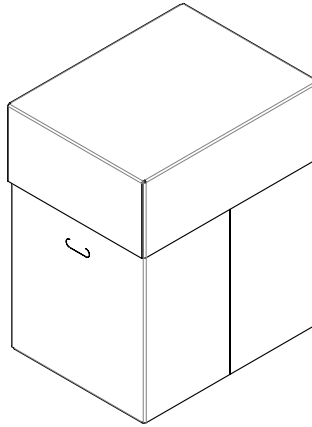
CUSTOMER SPECIFIC DP ONLY

2ft Unpacking

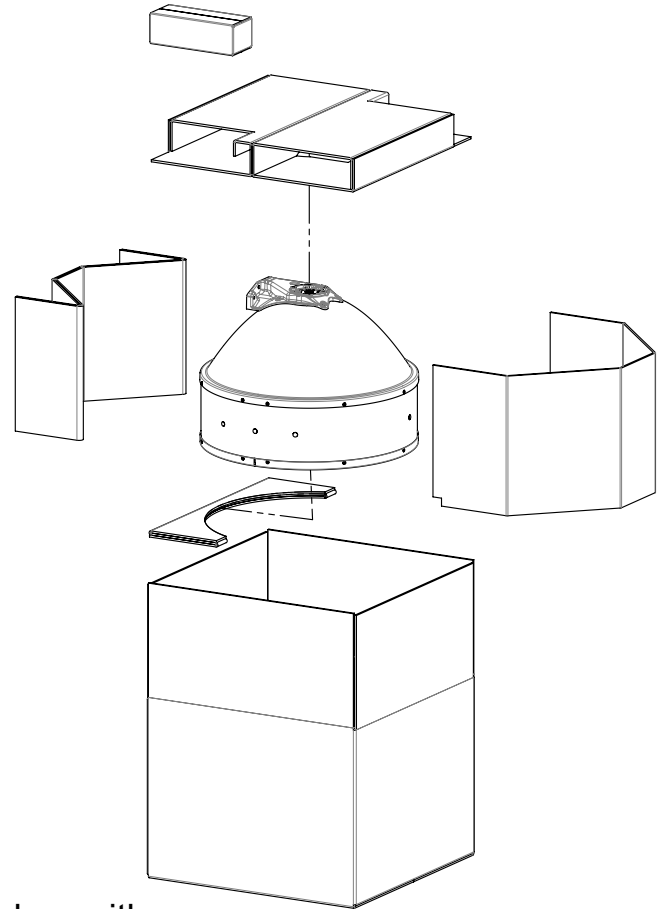
1a Single Pole Box



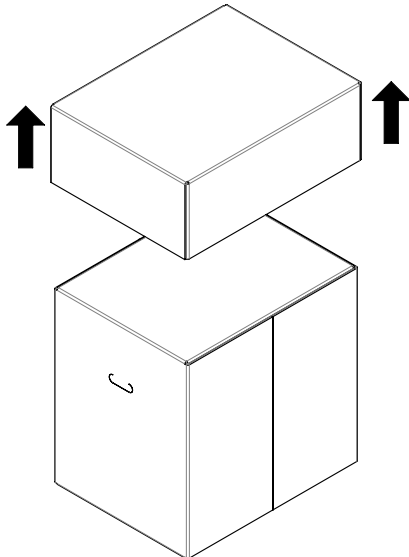
1b Dual Pole Box



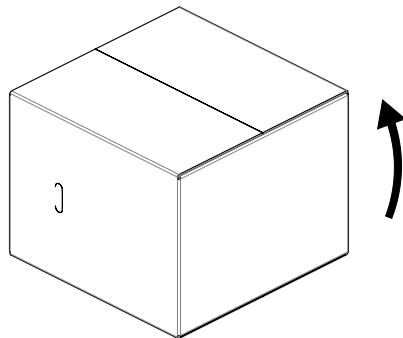
4 Antenna Main Box Contents



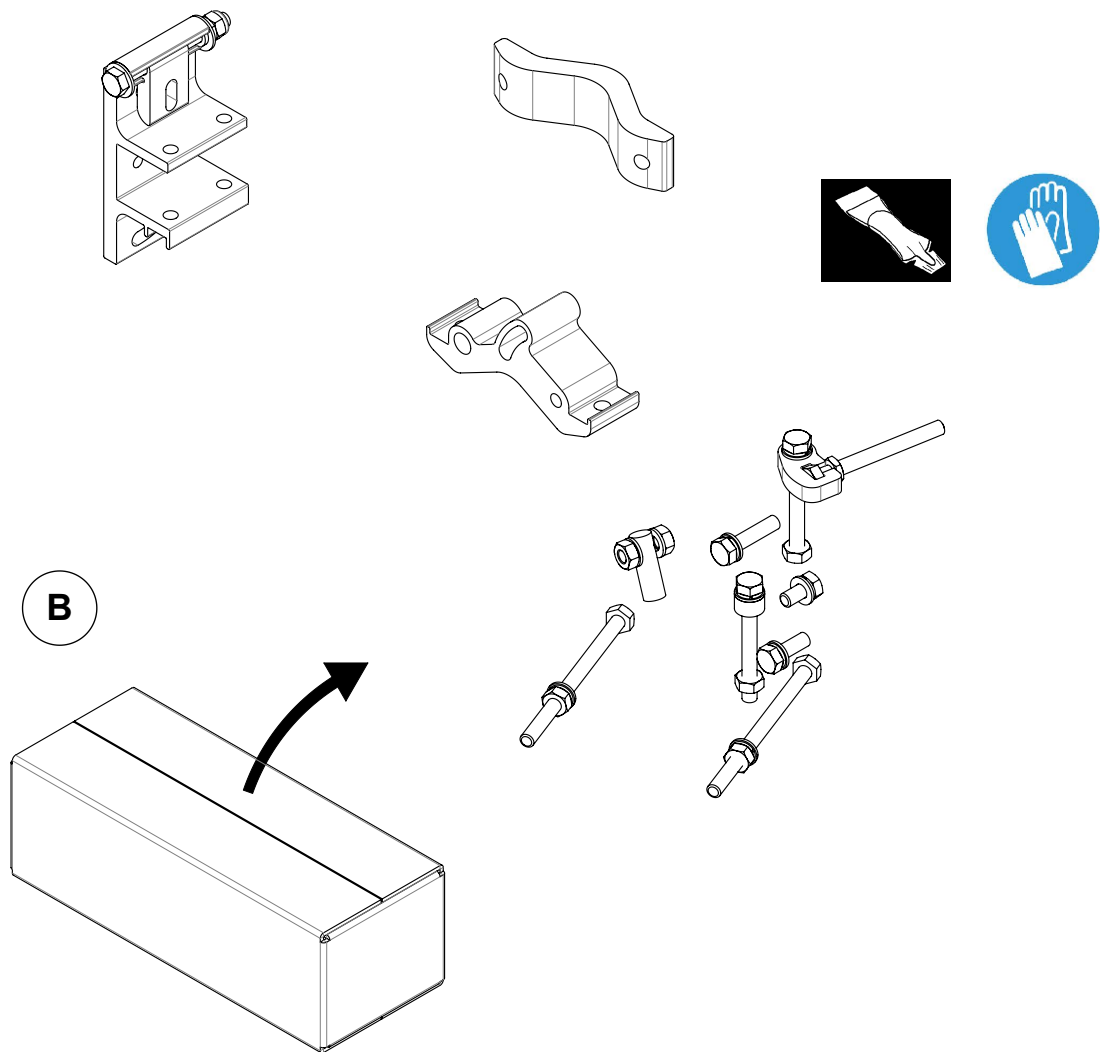
2 Remove top lid
(dual pole only)



3 Lay box with
flaps at top

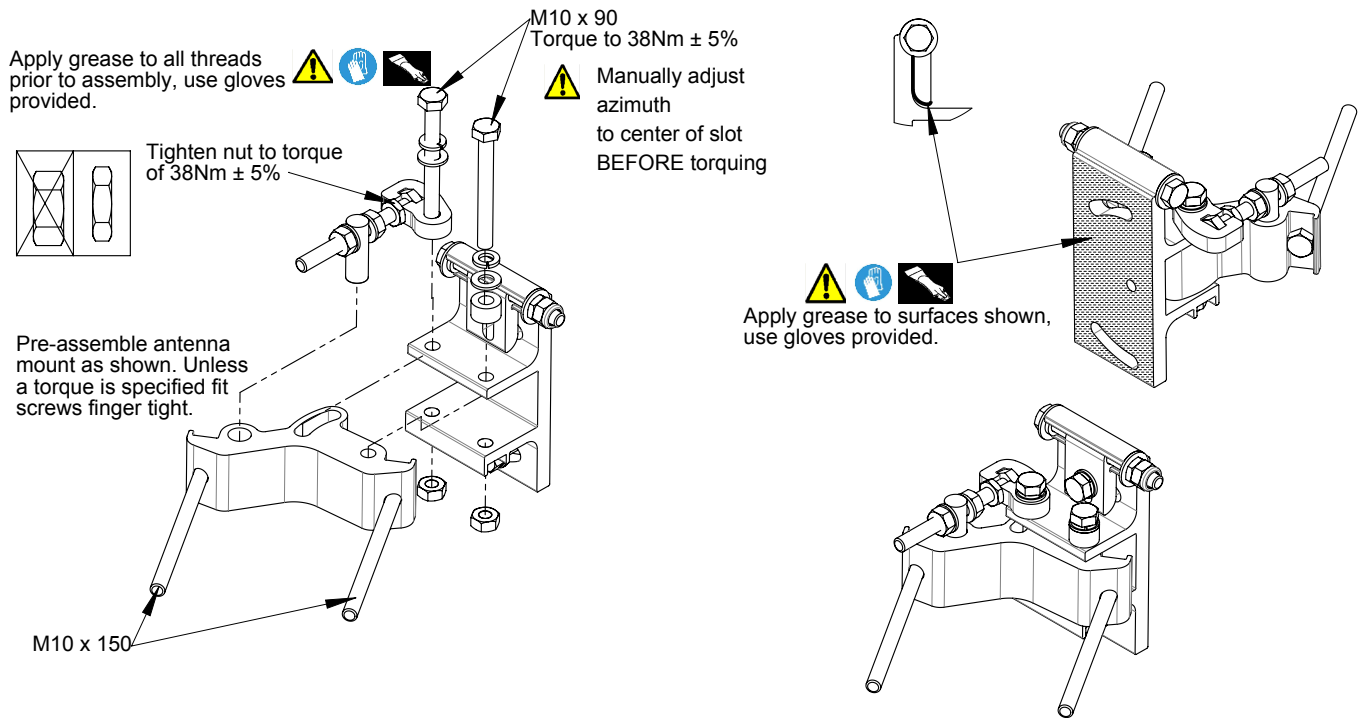


Unpacking Mount Kit



1 Pre-assembly of Mount

Assemble Mount to antenna at ground level prior to attachment to tower

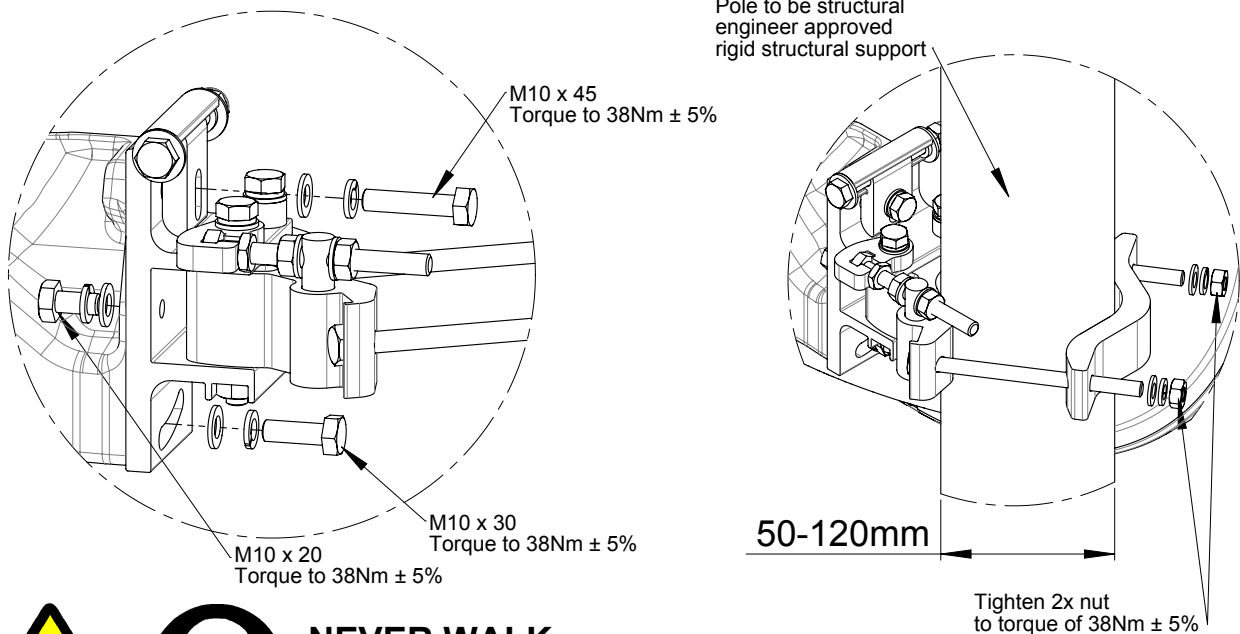


2 Mounting of Antenna

Assemble antenna mount to antenna assembly as shown.

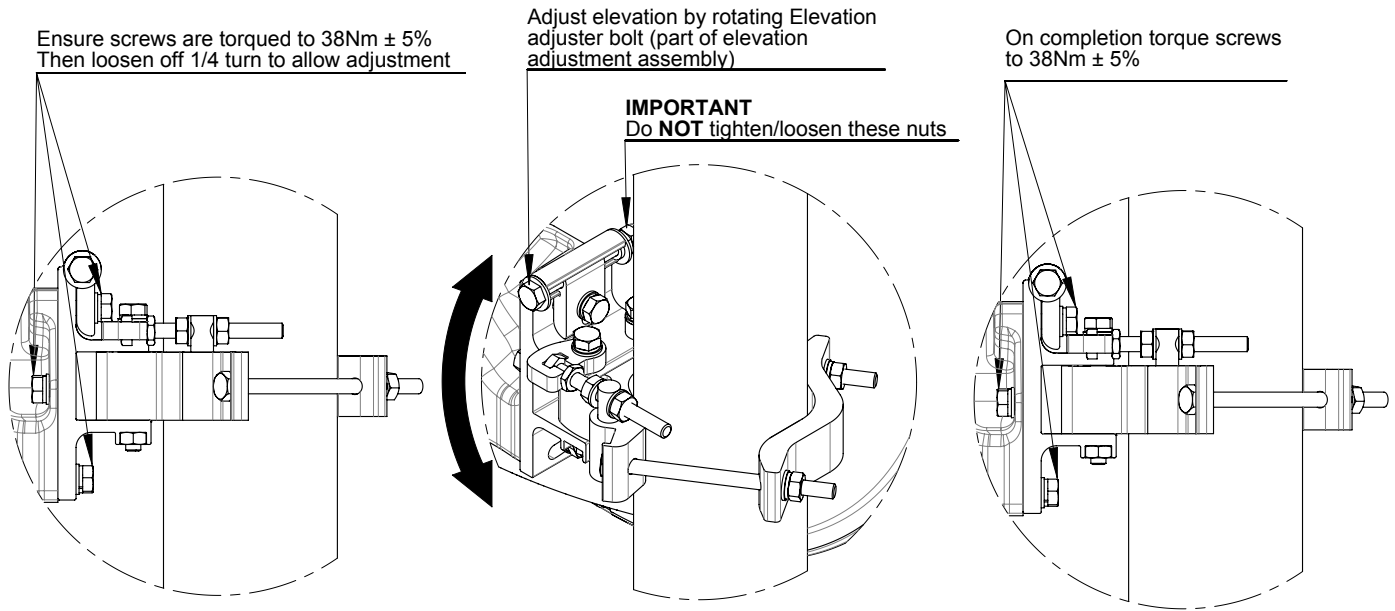
Secure mount to pole as shown.

Pole to be structural engineer approved rigid structural support

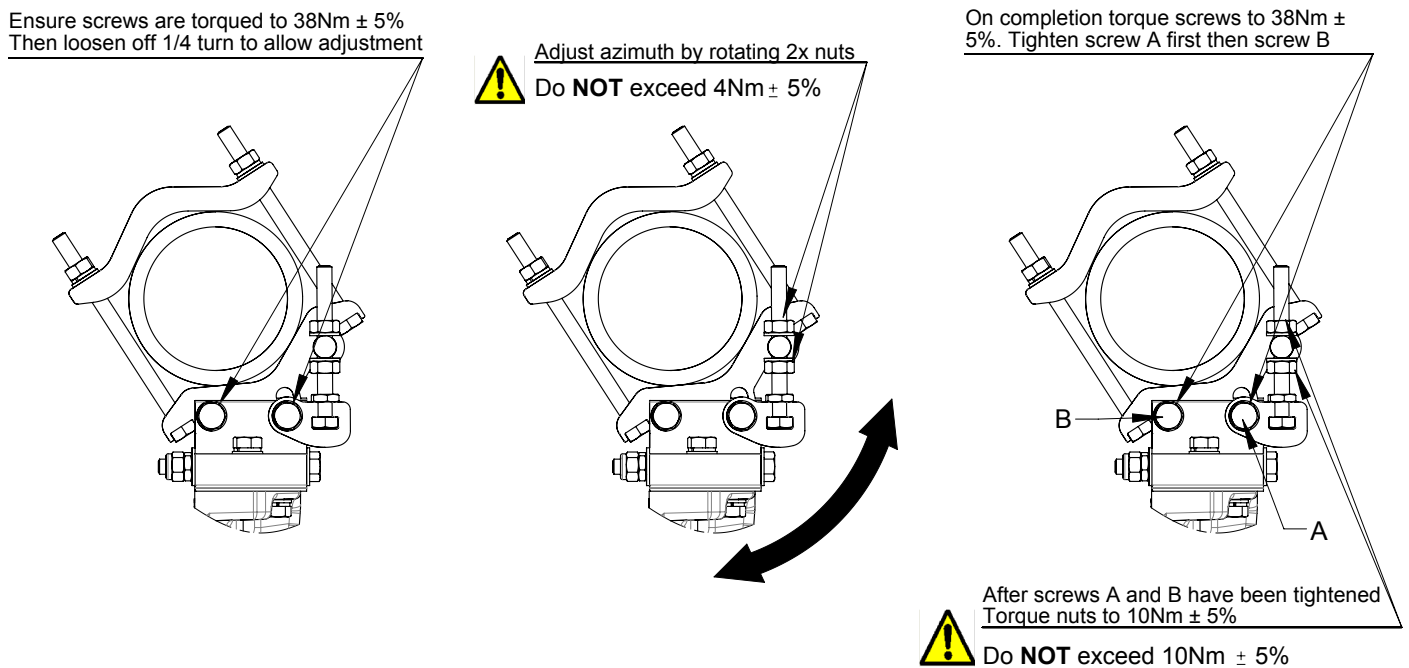


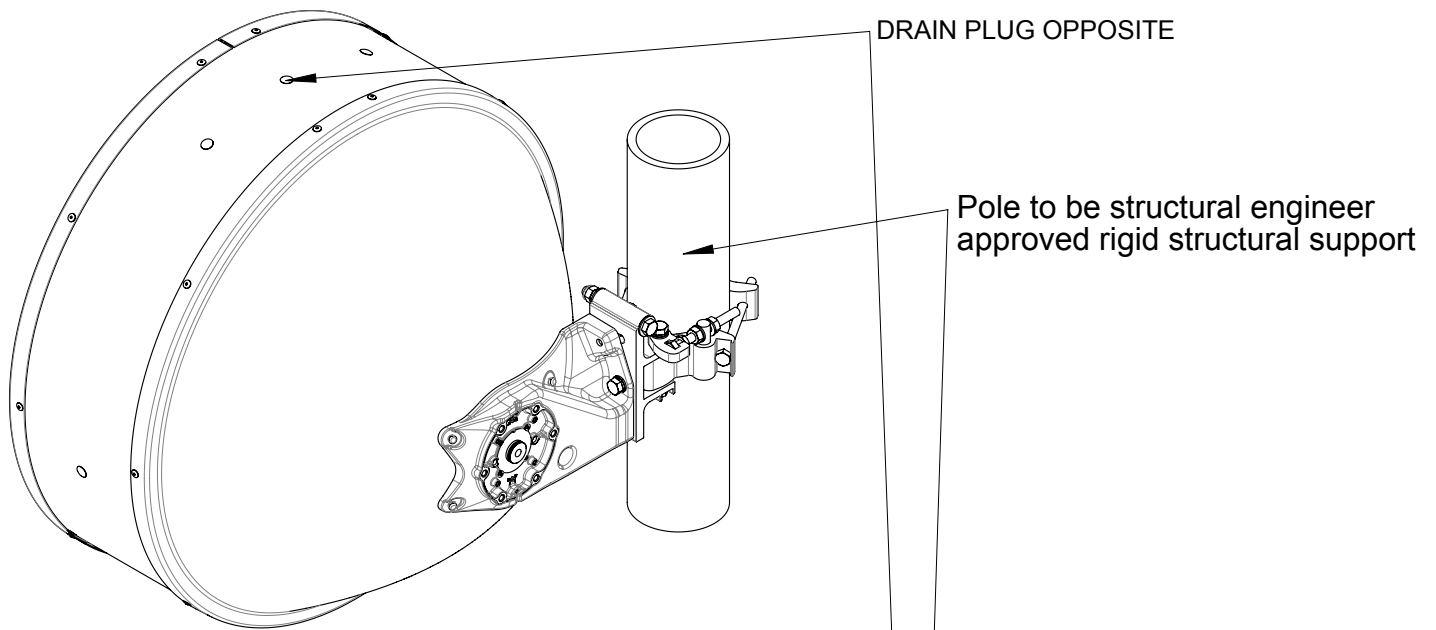
**NEVER WALK
UNDER HOISTED
LOADS**

3 Elevation Adjustment



4 Azimuth Adjustment

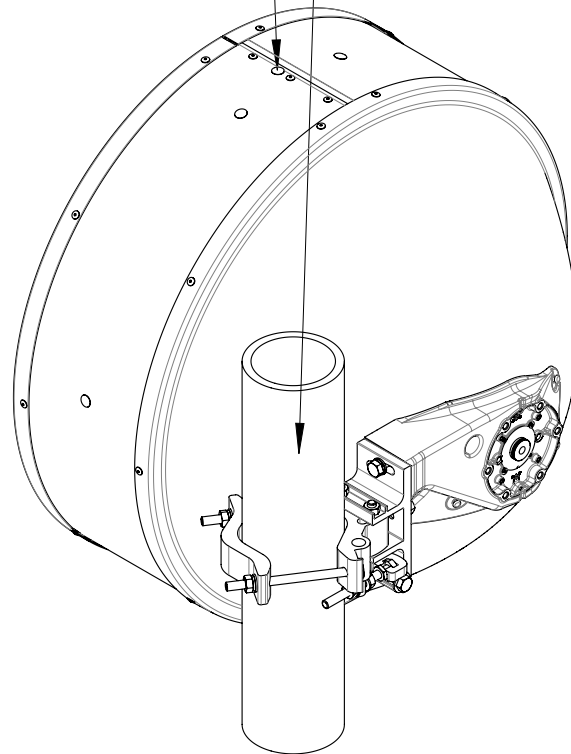




Antenna Offset Left

**For installation of interface
see separate instructions.**
Fit radio per instructions.

REMOVE BOTTOM DRAIN PLUG
WHEN ANTENNA LEFT OR RIGHT
OFFSET HAS BEEN DECIDED



Antenna Offset Right

**For installation of interface
see separate instructions.**
Fit radio per instructions.

6 General Information

6.1 General maintenance

The antenna is designed such that minimal maintenance is required. Other than strong wind conditions the unit is not subject to abnormal forces and regular inspection and maintenance should ensure trouble free operation.

6.2 Cleaning of Antenna

If subsequent cleaning of the antenna is required solvent based solutions must not be used.