

760184382

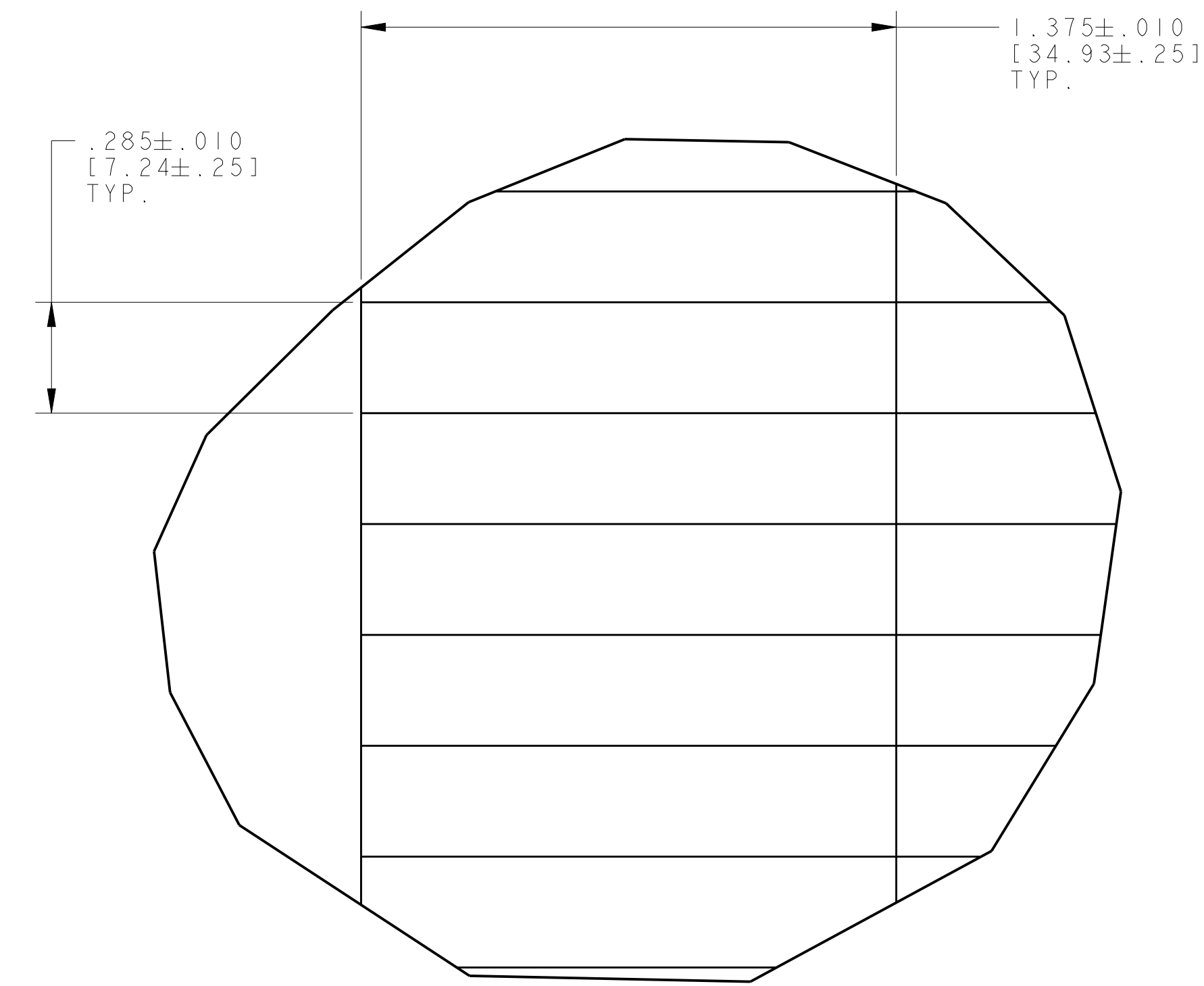
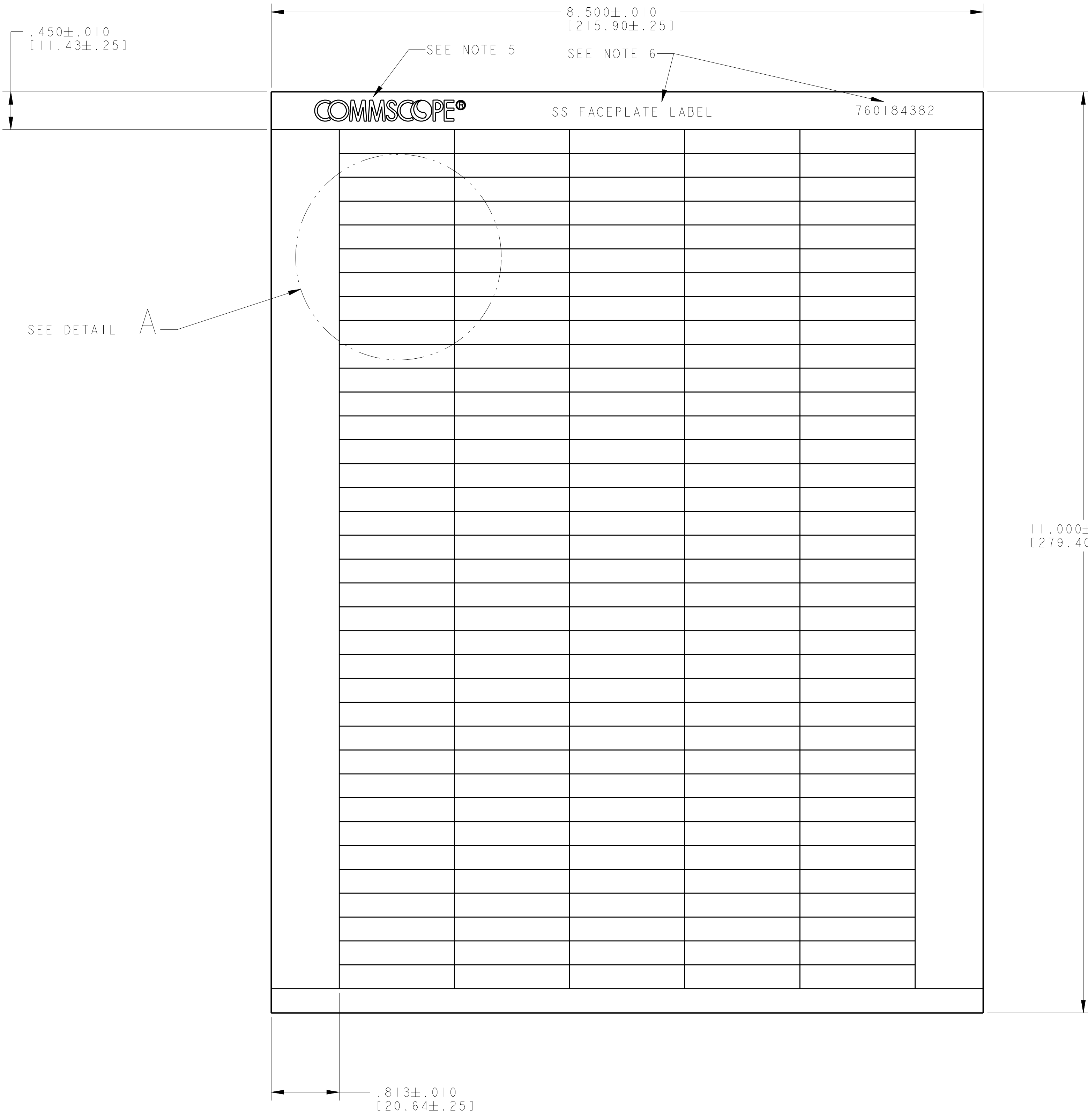
©2013 CommScope, Inc. of North Carolina

ECM: 7009451 | ECN: 8000000817

DJ	FW	GCS	14-JUN-2013
----	----	-----	-------------

NOTES:

1. THIS IS A PRO/ENGINEER DATABASE. THE ROOT FILE NAME IS 760184382.
2. MATERIAL: WHITE 90# INDEX STOCK
3. PERFORATIONS SHALL REMAIN UNSEPARATED AFTER FEEDING THOUGH MOST LASER PRINTERS.
4. PACK 10 SHEETS IN A RECLOSEABLE POLY BAG WITH A CARD STIFFENER BEHIND THE LAST SHEET.
5. COMMSCOPE LOGO PER AM030H1405, VERSION B, 2D VERSION B & W. LOGO HEIGHT SHALL BE  $0.200 \pm .010$  INCH.
6. SHEET TITLE AND MATERIAL ID SHALL BE ARIAL BLACK,  $0.150 \pm .010$  INCH HIGH. TITLE SHALL BE CENTERED HORIZONTALLY WITHIN THE SHEET.



DETAIL A  
SCALE 3/4

USED ON	DRAWING
FIRST APPLICATION	

760184382	00	
MODEL NUMBER	VERSION	STATUS

MATERIAL SEE NOTES	FINISH SEE NOTES	TITLE LABEL SHEET, SS FACEPLATE LABEL				
UNLESS OTHERWISE SPECIFIED: UNITS ARE INCH [MILLIMETER] -TOLERANCES ARE: ANGLES $\pm .5^\circ$ INCH 2 PLACE $\pm .02$ 1 PLACE $\pm [.5]$ 3 PLACE $\pm .010$ 2 PLACE $\pm [.13]$		THIRD ANGLE PROJECTION 	COMMSCOPE, INC. OF NORTH CAROLINA CONFIDENTIAL AND PROPRIETARY	SIZE D	VERSION 00	REVISION A
-SYMBOLGY AGREES WITH ASME Y14.5M - 1994 ALL SHEETS ARE THE SAME REVISION (ISSUE) STATUS		SCALE: 5/4	760184382	SHEET 1 OF 1	STATUS RE	WORK AREA 52