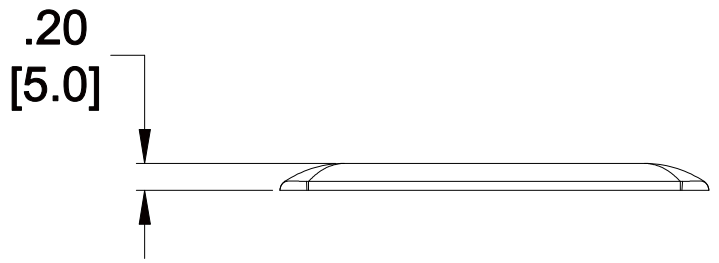
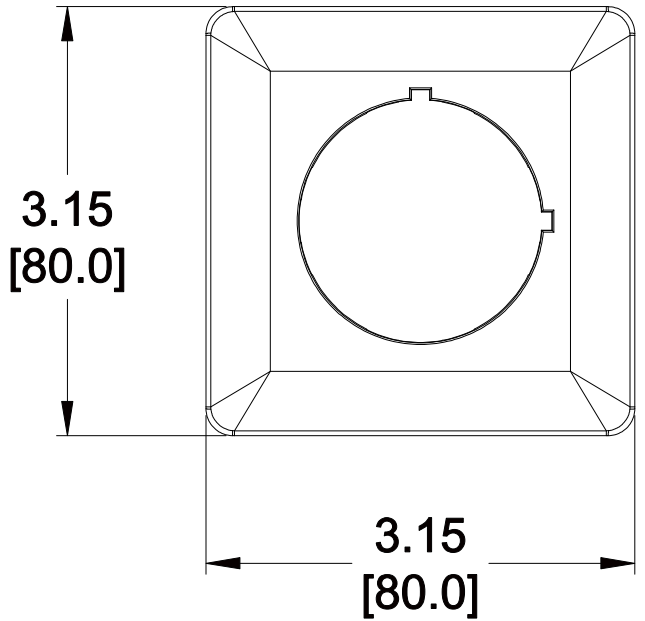


MATERIAL ID	DESCRIPTION
760175968	M02714-246 FLUSH MOUNT COVER PLATE N/A-PORT, IVORY



NOTES:

1. SEE COMMSCOPE CATALOG FOR PART NUMBER SUFFIXES TO INDICATE COLOR/PKG.
2. SEE COMMSCOPE CATALOG FOR COMPLETE LIST OF PARTS RELATED TO THE USE OF THIS PRODUCT.
3. DIMENSIONS ARE IN INCHES[MM].
4. PART INCLUDES:
(1) M02714-246 FLUSH MOUNT COVER PLATE,IVORY

M02714-246

COMMSCOPE, INC OF NORTH CAROLINA

1	06/27/14		INITIAL ISSUE	PL	DRAWN BY TZ	
REV	DATE	ECR	DESCRIPTION	APPROVED BY	DATE 06/27/2014	DWG NO 760175968