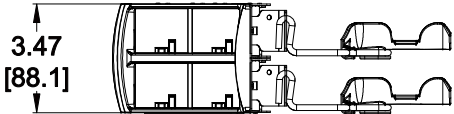
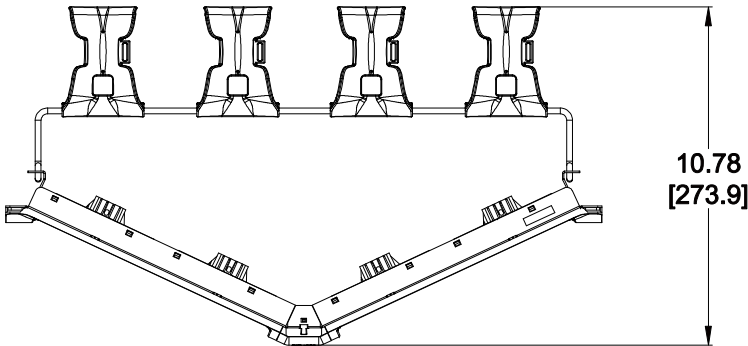


MATERIAL ID	DESCRIPTION
760152793	SYSTIMAX 360° GigaSPEED X10D® AND GigaSPEED XL® EVOLVE ANGLD 2U U/UTP PANEL KIT

NOTES:

- SEE SYSTIMAX CATALOG FOR PART NUMBER SUFFIXES TO INDICATE COLOR/PKG.
- SEE SYSTIMAX CATALOG FOR COMPLETE LIST OF PARTS RELATED TO THE USE OF THIS PRODUCT.
- DIMENSIONS ARE IN INCHES[MM].
- PART INCLUDES:
 - (1) PANEL FRAME, 360 ANGLD EVOLVE PANEL 2U
 - (2) END FACE, 360 ANGLD EVOLVE PANEL 2U
 - (1) CENTRAL CAP, 360 ANGLD EVOLVE PANEL 2U
 - (2) RETAINER B, 360 CABLE MANAGEMENT
 - (8) TROUGH, 360 CABLE MANAGEMENT
 - (2) STRAP, REAR CABLE MANAGEMENT (BAG OF 4)
 - (4) SCREW
 - (8) HOUSING, imVision CONTROLLER 1U BRACKET BLANK BEZEL



360-A-E-KIT-2U	
COMMScope, INC OF NORTH CAROLINA	
SYSTIMAX® SOLUTIONS	
DRAWN BY DJ	
APPROVED BY	DATE 7/29/2014
	DWG NO 760152793

REV	DATE	ECR	DESCRIPTION	APPROVED BY
1	7/29/14		INITIAL ISSUE	PL