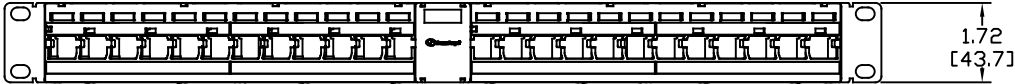
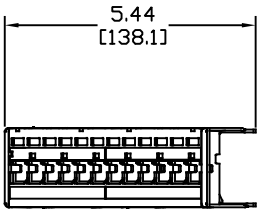
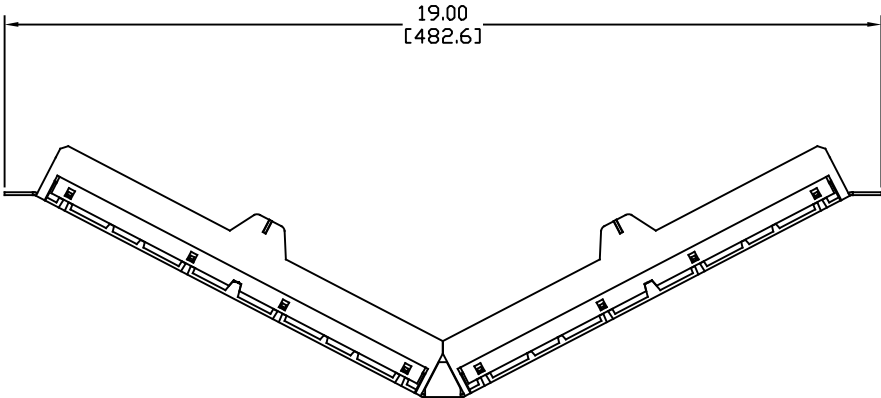


MATERIAL ID	DESCRIPTION
760118331	U/UTP ANGLED SINGLE-ROW MODULAR PANEL 24 PORT(UNJ500/600, MIBH, MPS100)

NOTES:

1. SEE COMMSCOPE CATALOG FOR PART NUMBER SUFFIXES TO INDICATE COLOR/PKG.
2. SEE COMMSCOPE CATALOG FOR COMPLETE LIST OF PARTS RELATED TO THE USE OF THIS PRODUCT.
3. DIMENSIONS IN PARENTHESES ARE IN METRIC.
4. PART INCLUDES:
 (1) U/UTP ANGLED SINGLE-ROW MODULAR PANEL 24 PORT ASSEMBLY
 (24) CAP, MPS, STRAIN RELIEF
 (4) SCREW, COMBO HD, MACHINE, #12-24 X 0.50"



ASSY, PANEL, M2400A	
COMMSCOPE, INC OF NORTH CAROLINA	
DRAWN BY DJ	DWG NO 760118331
DATE 05/12/2010	

REV	DATE	ECR	DESCRIPTION	APPROVED BY
2	03/01/22		CHANGE CAP QUANTITY	PL
1	05/12/10		INITIAL ISSUE	