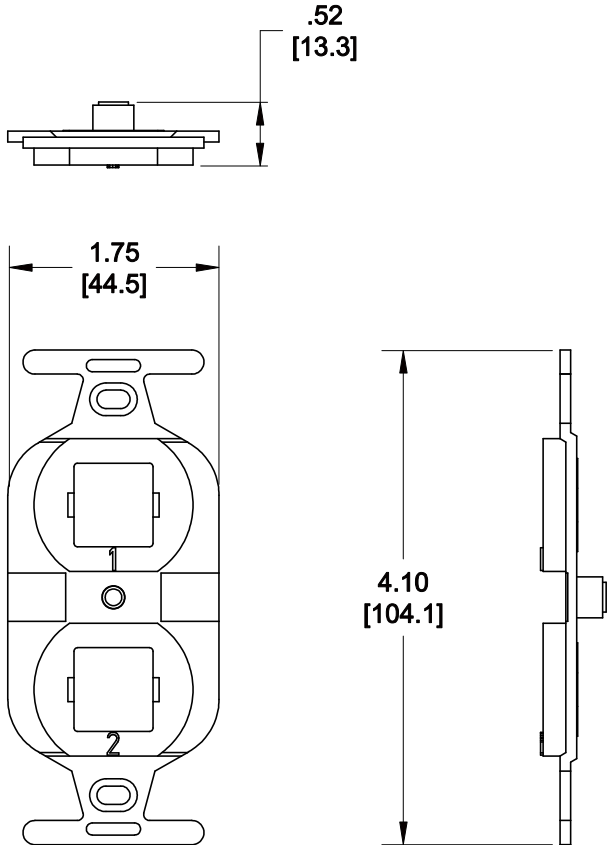


MATERIAL ID	DESCRIPTION
760101287	M106 FLUSH MOUNTED MODULAR MOUNTING FRAME, ALMOND



- NOTES:
- SEE COMMSCOPE CATALOG FOR PART NUMBER SUFFIXES TO INDICATE COLOR/PKG.
 - SEE COMMSCOPE CATALOG FOR COMPLETE LIST OF PARTS RELATED TO THE USE OF THIS PRODUCT.
 - DIMENSIONS ARE IN INCHES[MM].
 - PART INCLUDES:
 (1) FACEPLATE, FRAME
 (2) SCREW

M106FR2-148	
COMMSCOPE, INC OF NORTH CAROLINA	
DRAWN BY JW	DWG NO 760101287
APPROVED BY PL	DATE 9/13/2013

REV	DATE	ECR	DESCRIPTION	APPROVED BY
1	9/13/13		INITIAL ISSUE	PL