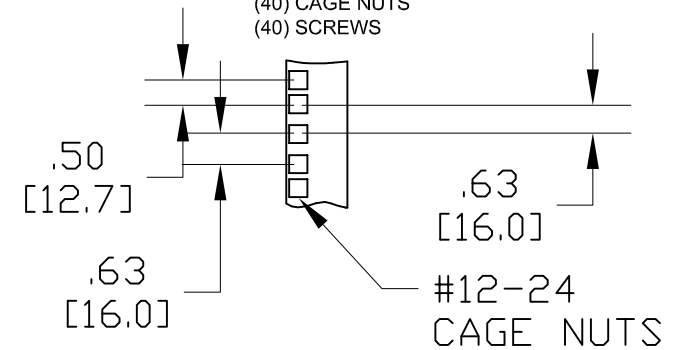
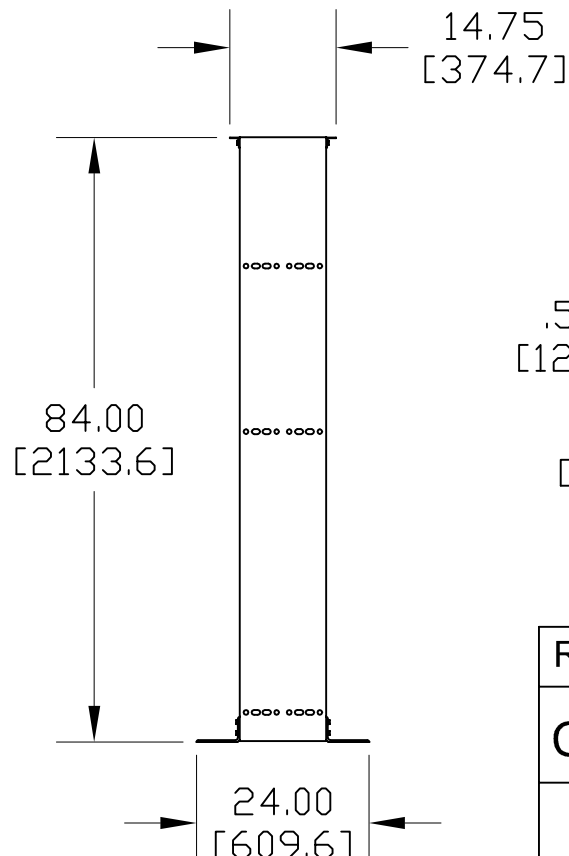
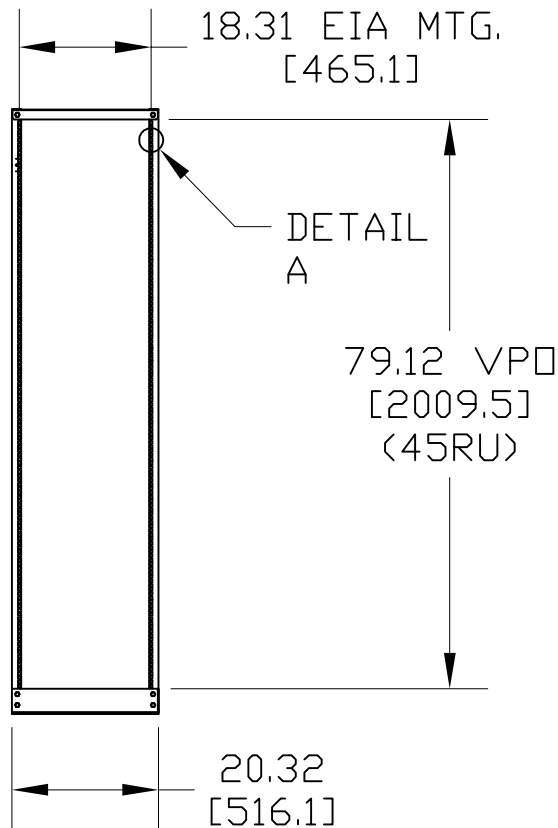
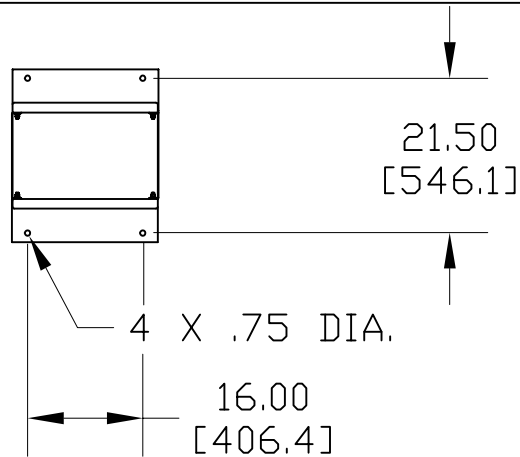


MATERIAL ID	DESCRIPTION	WEIGHT (lbs.)
760090159	EQUIPMENT RACK, 12" CHANNEL X 7 FT HIGH, 45RU	85

NOTES:

- SEE COMMSCOPE CATALOG FOR PART NUMBER SUFFIXES TO INDICATE COLOR/PKG.
- SEE COMMSCOPE CATALOG FOR COMPLETE LIST OF PARTS RELATED TO THE USE OF THIS PRODUCT.
- DIMENSIONS IN PARENTHESES ARE IN METRIC.
- PART INCLUDES:  
 (1) RACK  
 (12) BOLTS, WASHERS and HEX-NUTS  
 (40) CAGE NUTS  
 (40) SCREWS



DETAIL A  
EIA DETAIL  
(1RU SPACING)

RK12-45S	
COMMSCOPE, INC HICKORY, NORTH CAROLINA	
DRAWN BY SEW	DWG NO. 760090159
DATE 3/27/08	

REV	DATE	ECR	DESCRIPTION	BY
2	5/3/08		REVISED	TLL
1	3/27/08		INITIAL ISSUE	TLL