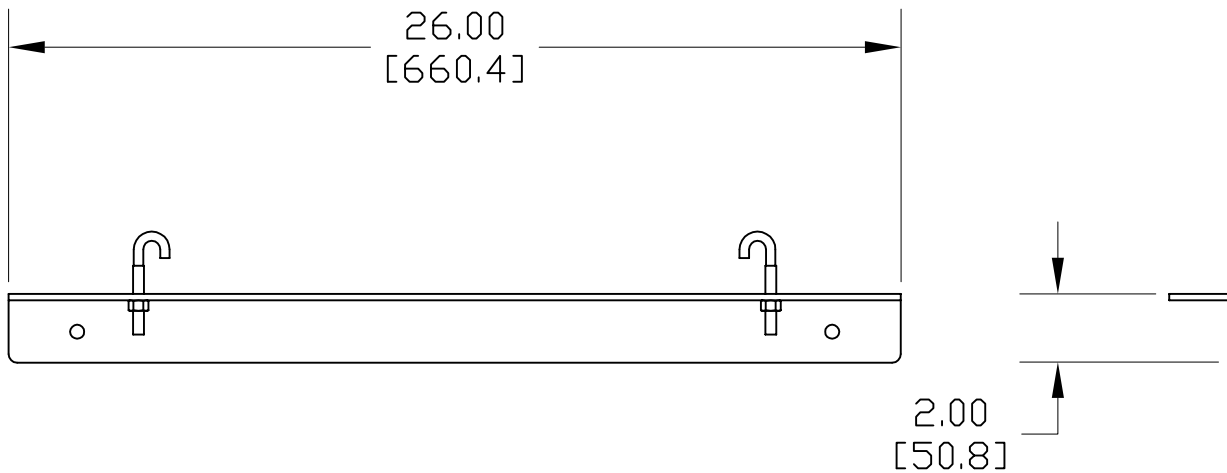


MATERIAL ID	DESCRIPTION	WEIGHT (lbs.)
760084160	WALL RAIL SUPPORT KIT, 12"-24" LADDER RACK	8.0

NOTES:

- SEE COMMSCOPE CATALOG FOR PART NUMBER SUFFIXES TO INDICATE COLOR/PKG.
- SEE COMMSCOPE CATALOG FOR COMPLETE LIST OF PARTS RELATED TO THE USE OF THIS PRODUCT.
- DIMENSIONS IN PARENTHESES ARE IN METRIC.
- PART INCLUDES:
 (1) SUPPORT
 (2) J-BOLTS AND NUTS



CR12-24WRSK	
COMMSCOPE, INC HICKORY, NORTH CAROLINA	
DRAWN BY SEW	
DATE 1/16/08	DWG NO. 760084160

REV	DATE	ECR	DESCRIPTION	BY
2	8/4/08		REVISED	TWL
1	1/16/08		INITIAL ISSUE	TWL