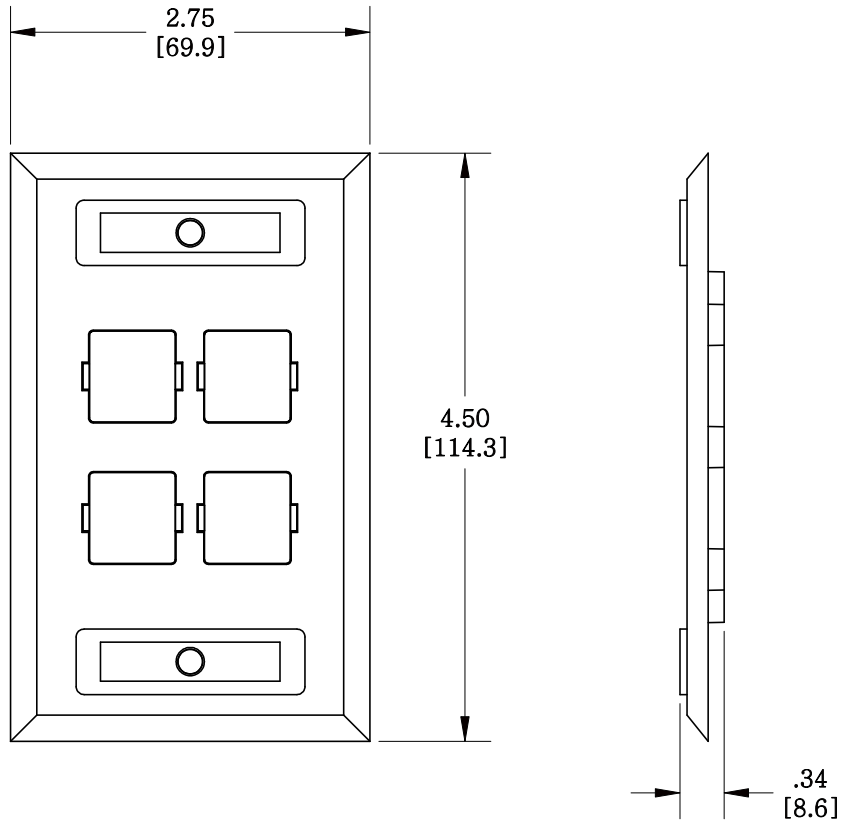


MATERIAL ID	DESCRIPTION
760072207	STAINLESS STEEL TYPE FLUSH MOUNTED FACEPLATE WITH LABELS, 4 PORT



NOTES:

1. SEE COMMSCOPE CATALOG FOR PART NUMBER SUFFIXES TO INDICATE COLOR/PKG.
2. SEE COMMSCOPE CATALOG FOR COMPLETE LIST OF PARTS RELATED TO THE USE OF THIS PRODUCT.
3. DIMENSIONS IN PARENTHESES ARE IN METRIC.
4. PART INCLUDES:
(1) FACEPLATE

M14SP-L

COMMSCOPE, INC OF NORTH CAROLINA

1	5/27/11		INITIAL ISSUE	XX	DRAWN BY DJ	
REV	DATE	ECR	DESCRIPTION	APPROVED BY	DATE 5/27/2011	DWG NO 760072207