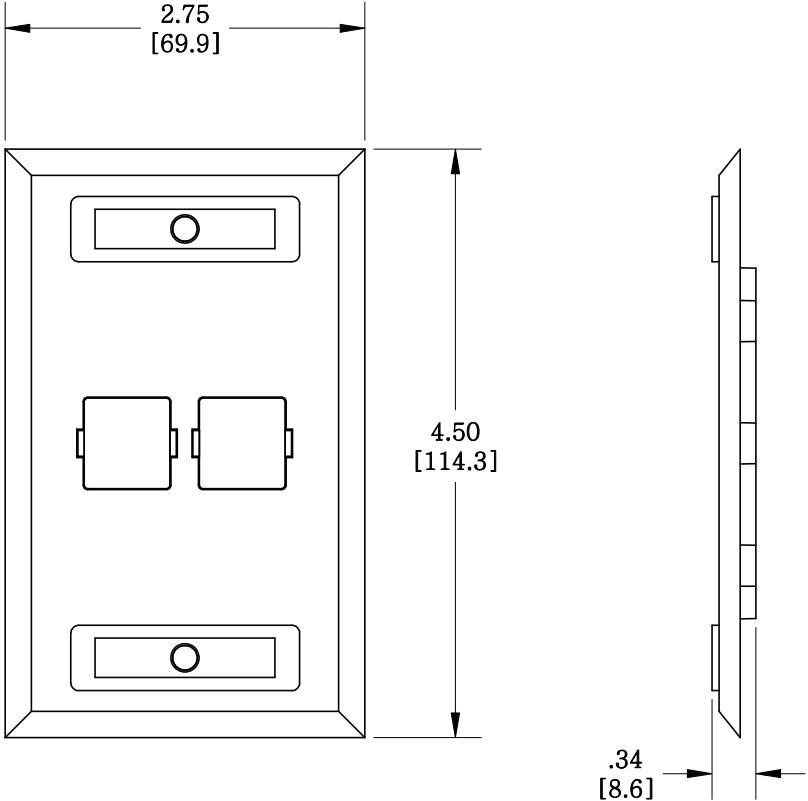


MATERIAL ID	DESCRIPTION
760072181	STAINLESS STEEL TYPE FLUSH MOUNTED FACEPLATE, TWO PORT

NOTES:

1. SEE COMMSCOPE CATALOG FOR PART NUMBER SUFFIXES TO INDICATE COLOR/PKG.
2. SEE COMMSCOPE CATALOG FOR COMPLETE LIST OF PARTS RELATED TO THE USE OF THIS PRODUCT.
3. DIMENSIONS IN PARENTHESES ARE IN METRIC.
4. PART INCLUDES:  
(1) FACEPLATE



M12SP-L

**COMMSCOPE, INC** OF NORTH CAROLINA

1	5/27/11		INITIAL ISSUE	XX	DRAWN BY DJ	
REV	DATE	ECR	DESCRIPTION	APPROVED BY	DATE 5/27/2011	DWG NO 760072181