

E14F05P97



Single Diplexer, FDD/TDD 2600, dc block on all ports

- Single configuration
- Designed for network Modernization, introduction of LTE2600 on existing site

Product Classification

Product Type Diplexer

General Specifications

Color Gray

Modularity 1-Single

Mounting Frame | Wall

Mounting Pipe Hardware Band clamps (2)

RF Connector Interface 4.3-10 Female

Dimensions

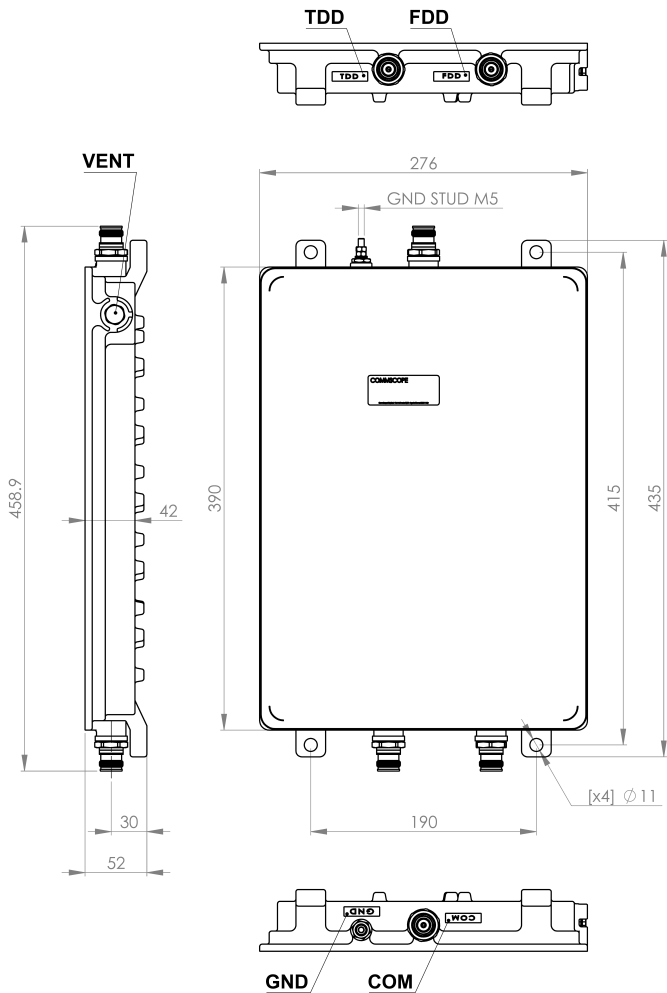
Height 390 mm | 15.354 in

Width 276 mm | 10.866 in

Depth 52 mm | 2.047 in

Outline Drawing

E14F05P97



Electrical Specifications

Impedance	50 ohm
License Band, Band Pass	IMT 2600 TDD 2600

Electrical Specifications, dc Power/Alarm

dc/AISG Pass-through Method	No dc/AISG pass-through
dc/AISG Pass-through, combiner	dc/AISG blocking on all ports
Lightning Surge Current	5 kA
Lightning Surge Current Waveform	8/20 waveform

Electrical Specifications

Sub-module

1 | 2

1 | 2

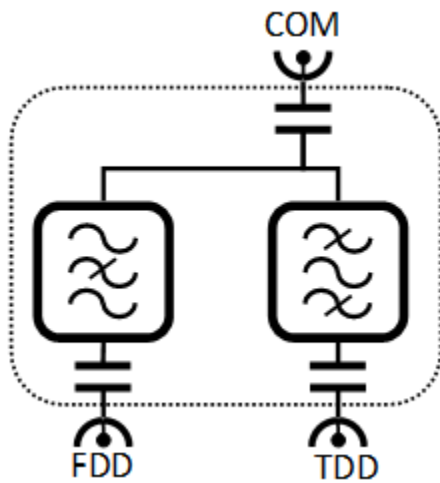
E14F05P97

Branch	1	2
Port Designation	FDD 2500-2569.5/2620.5-2690	TDD 2575.5-2614.5
License Band	IMT 2600, Band Pass	TDD 2600, Band Pass

Electrical Specifications, Band Pass

Frequency Range, MHz	2620.5–2690 2500–2569.5	2575.5–2614.5
Insertion Loss, maximum, dB	2	2
Insertion Loss, typical, dB	0.7	1
Return Loss, minimum, dB	18	18
Isolation, minimum, dB	82	82
Input Power, RMS, maximum, W	30	30
Input Power, PEP, maximum, W	360	360
3rd Order PIM, maximum, dBc	-152	-152
3rd Order PIM Test Method	Two +39 dBm CW Tones	Two +39 dBm CW Tones

Block Diagram



Environmental Specifications

Operating Temperature	-35 °C to +50 °C (-31 °F to +122 °F)
Corrosion Test Method	IEC 60068-2-11, 30 days
Ingress Protection Test Method	IEC 60529:2001, IP55 IEC 60529:2001, IP67

Packaging and Weights

Included	Mounting hardware
-----------------	-------------------

E14F05P97

Volume 5.6 L
Weight, net 5.6 kg | 12.346 lb