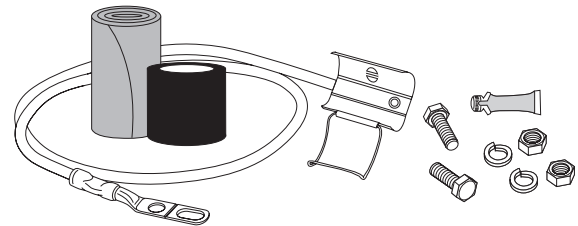



Installation Instructions

SureGround™ Grounding Kits for Coaxial Cables

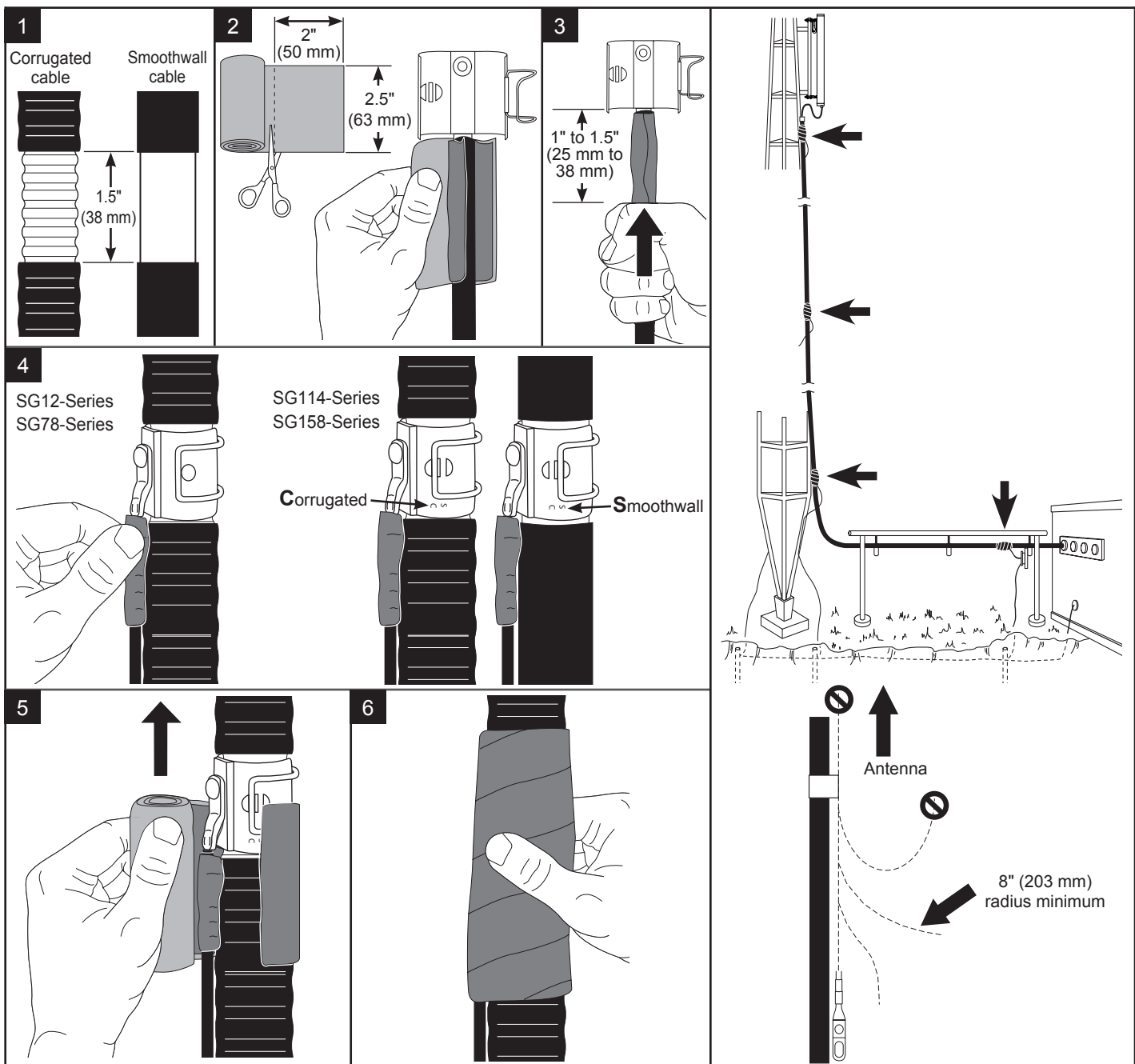
Andrew Institute offers installation training.

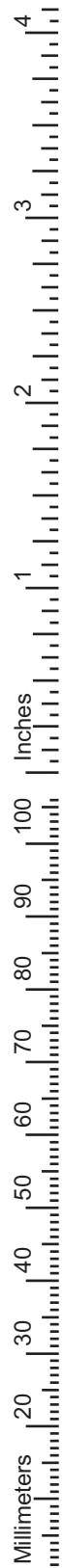
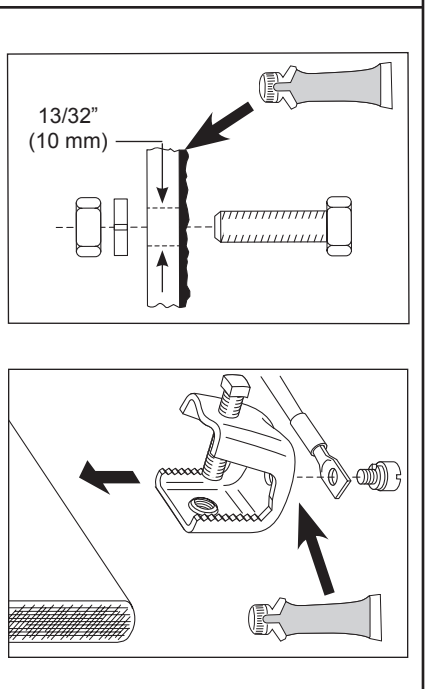
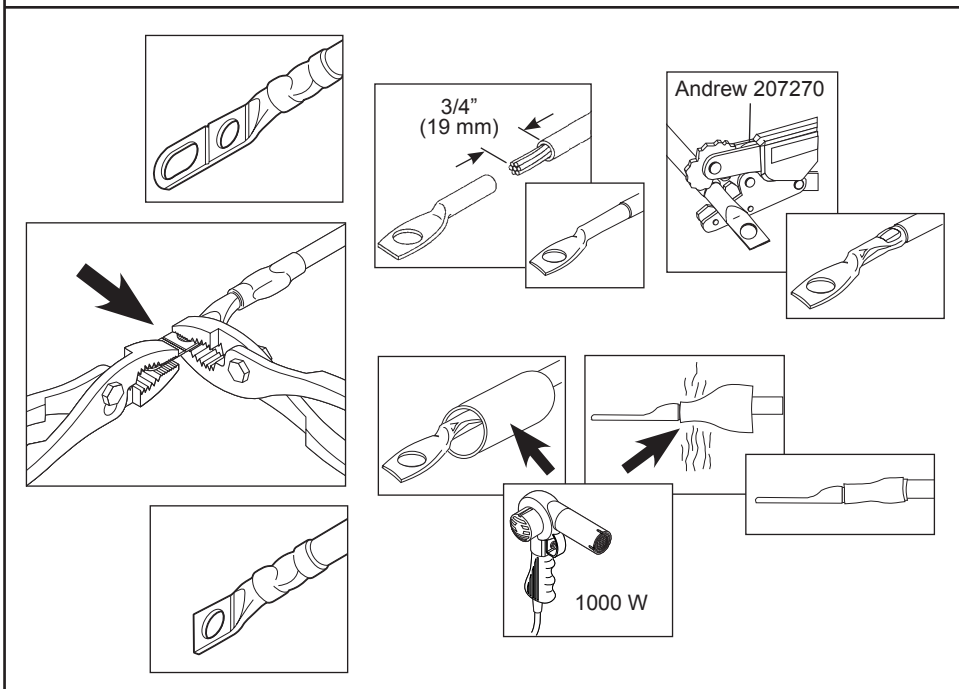
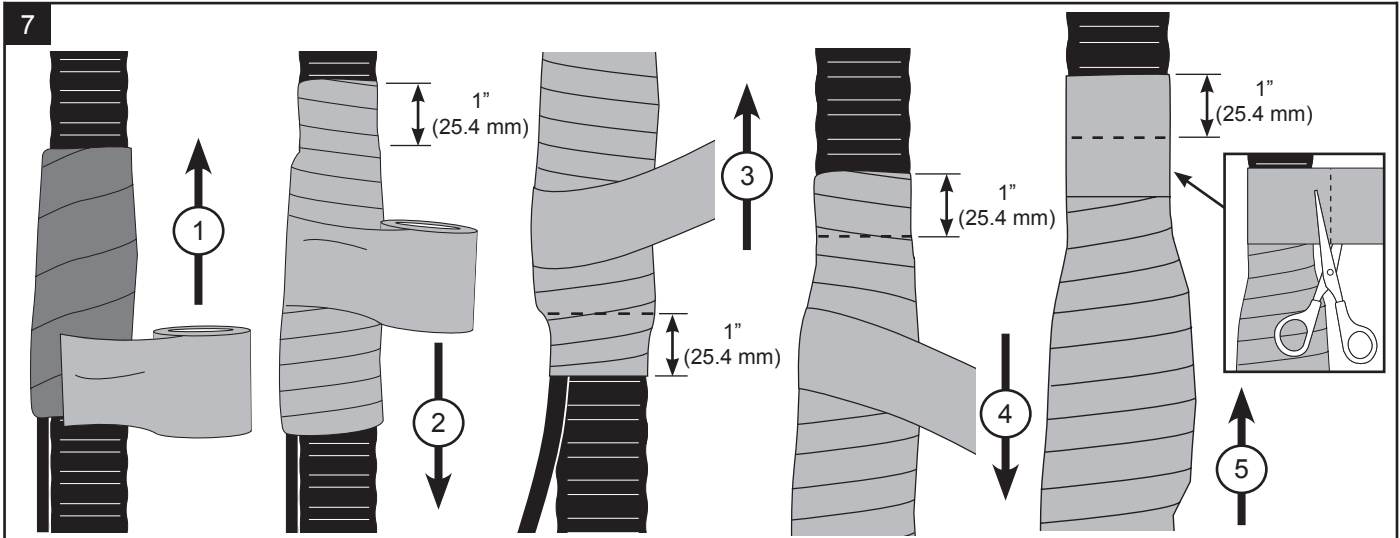
Cable size	Part number	Tool part number	Description	Tool part number	Description
1/2"	SG12-06B2A	GKT-L4SG	Grounding kit stripping tool for corrugated 1/2" cable	540-MSS	Multi-turn stripping tool for 1/2" smoothwall cable
7/8"	SG78-06B2A	GKT-78SG	Grounding kit stripping tool for corrugated 7/8" cable	780-MSS	Multi-turn stripping tool for 7/8" smoothwall cable
1 1/4"	SG114-06B2A	GKT-114SG	Grounding kit stripping tool for corrugated 1 1/4" cable	1480-MSS	Multi-turn stripping tool for 1-1/4" smoothwall cable
1 5/8"	SG158-06B2A	GKT-158SG	Grounding kit stripping tool for corrugated 1 5/8" cable	1873-MSS	Multi-turn stripping tool for 1-5/8" smoothwall cable





WARNING Do not attempt grounding kit installation in the presence of thunderstorms. Failure to obey this warning may result in injury or death to you or to others.





Andrew LLC

Customer Service 24 hours

U.S.A., Canada, Mexico:
 for HELIAX® AVA Cables call 1-800-255-1479
 for HELIAX® SFX, FXL Cables call 1-888-235-5732
 U.K.: 0800 250055 Brazil: +55-15-2102-4000
 Other Europe: +44 592 782 612

www.commscope.com

Visit our Web site at www.commscope.com or contact your local Andrew LLC representative for more information.

© 2011 CommScope, Inc. All rights reserved.
 Andrew LLC is a trademark of CommScope. All trademarks identified by ® or ™ are registered trademarks or trademarks, respectively, of CommScope. This document is for planning purposes only and is not intended to modify or supplement any specifications or warranties relating to Andrew LLC products or services.

Notice: Andrew LLC disclaims any liability or responsibility for the results of improper or unsafe installation, inspection, maintenance, or removal practices.
 Aviso: Andrews LLC no acepta ninguna obligación ni responsabilidad como resultado de prácticas incorrectas o peligrosas de instalación, inspección, mantenimiento o retiro.
 Avis : Andrew LLC décline toute responsabilité pour les conséquences de procédures d'installation, d'inspection, d'entretien ou de retrait incorrectes ou dangereuses.
 Hinweis: Andrew LLC lehnt jede Haftung oder Verantwortung für Schäden ab, die aufgrund unsachgemäßer Installation, Überprüfung, Wartung oder Demontage auftreten.
 Atenção: A Andrew LLC abdica do direito de toda responsabilidade pelos resultados de práticas inadequadas e sem segurança de instalação, inspeção, manutenção ou remoção.
 Avvertenza: Andrew LLC declina eventuali responsabilità derivanti dall'esecuzione di procedure di installazione, ispezione, manutenzione e smontaggio improprie o poco sicure.
 注意：Andrew 公司申明對於不恰當或不安全的安裝、檢驗、維修或拆卸操作所導致的後果不負任何義務和責任