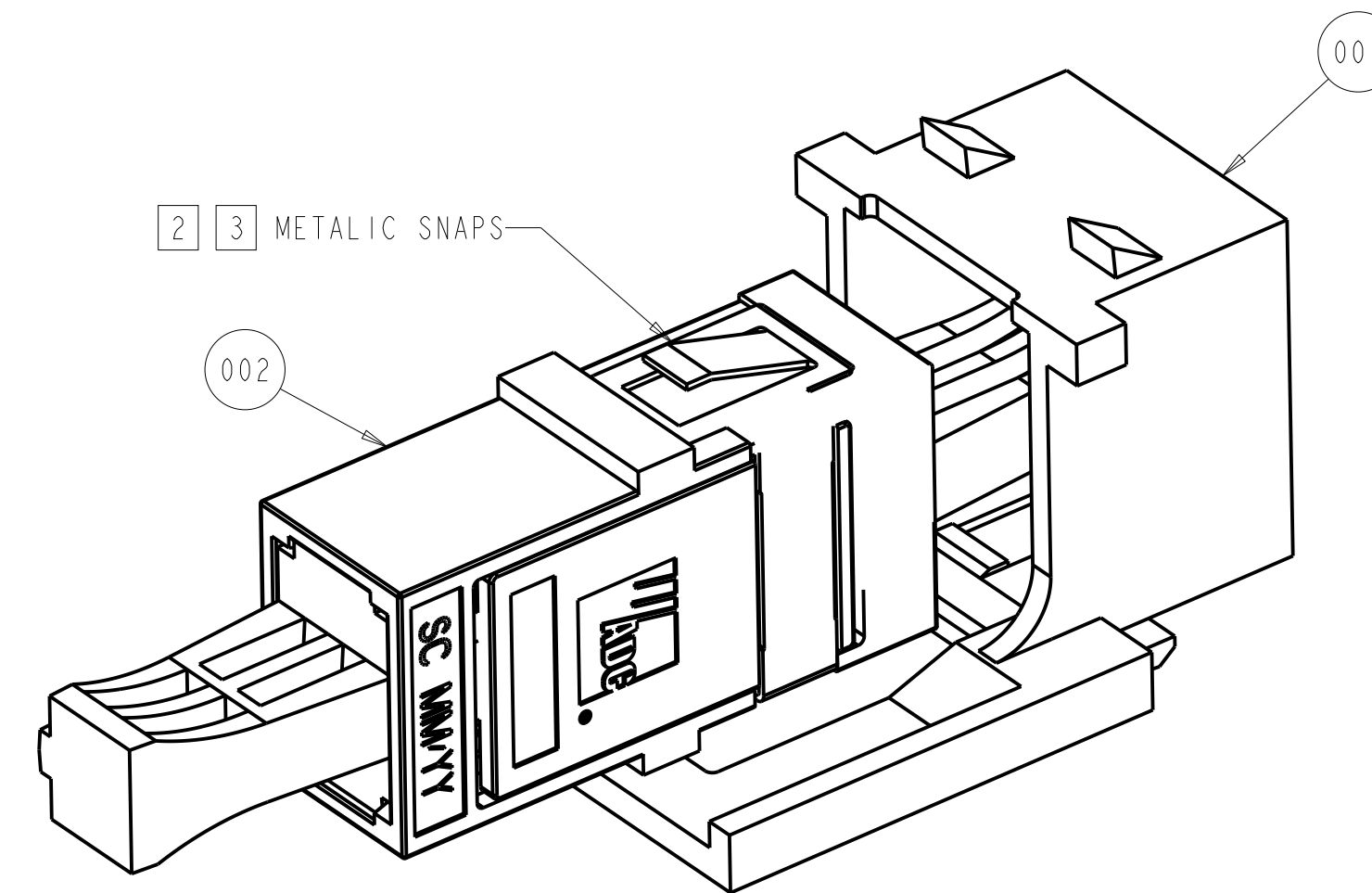


REV	MCO	DWN	DATE
B	20244913	GTC	28-JUL-08
C	BNS_CD_BRAND	GG	10-FEB-17



NOTES:

1. APPLICABLE STANDARDS/SPECIFICATIONS:
ANSI Y14.5M, DIMENSIONS AND TOLERANCES
EIA/TIA/ANSI 568 AND 570
ANSI TP-PDM
ISO 8877
FCC PART 68
NEMA STANDARDS OS1 OS2.
2. INSERT F/N 002 INTO F/N 001 WITH METALIC SNAPS FACING TOWARD THE HOUSING.
3. AFTER INSERTING F/N 002, PUSH IT FORWARD UNTIL THE METALIC SNAPS ENGAGE WITH F/N 001.

6645 1 167-04	6645116704	BLACK	A
6645 1 167-03	6645116703	GREY	A
6645 1 167-02	6645116702	IVORY	A
6645 1 167-01	1449250	WHITE	A
CATALOG NUMBER	PART NUMBER	HOUSING COLOR	REV

COMMSCOPE, INC.

© 2016 COMMSCOPE, INC. CONFIDENTIAL NOTICE: THESE DRAWINGS AND SPECIFICATIONS ARE THE PROPRIETARY PROPERTY OF COMMSCOPE, INC. AND MAY BE USED ONLY FOR THE SPECIFIC PURPOSE AUTHORIZED IN WRITING BY COMMSCOPE, INC.		TITLE ASSY, SC CONNECTOR MULTI MODE MODULAR COLOR XX	
ALL DIMS AND TOLERANCES .XX:± ARE INCHES UNLESS .XXX:± OTHERWISE SPECIFIED ANGULAR:±	C SIZE	DRAWING NUMBER 66451167XX_ADC	C REV
DO NOT SCALE DRAWING	ENGR: LUIS SANCHEZ DWN: JUAN CARLOS ANAYA	SHT. 1 OF 1	

DIMENSIONS IN INCHES
THIRD ANGLE PROJECTION