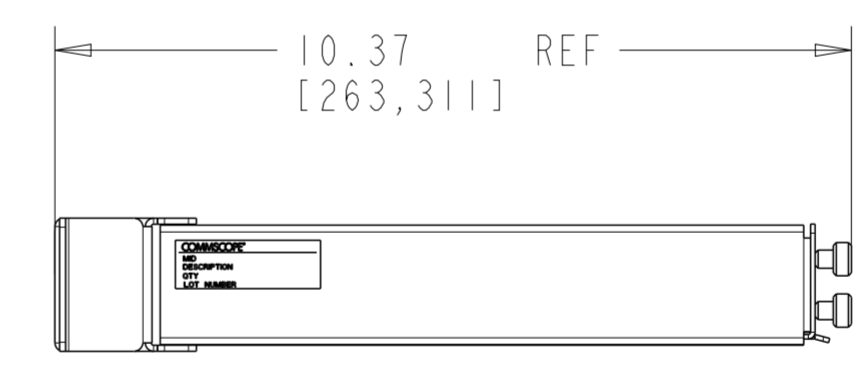
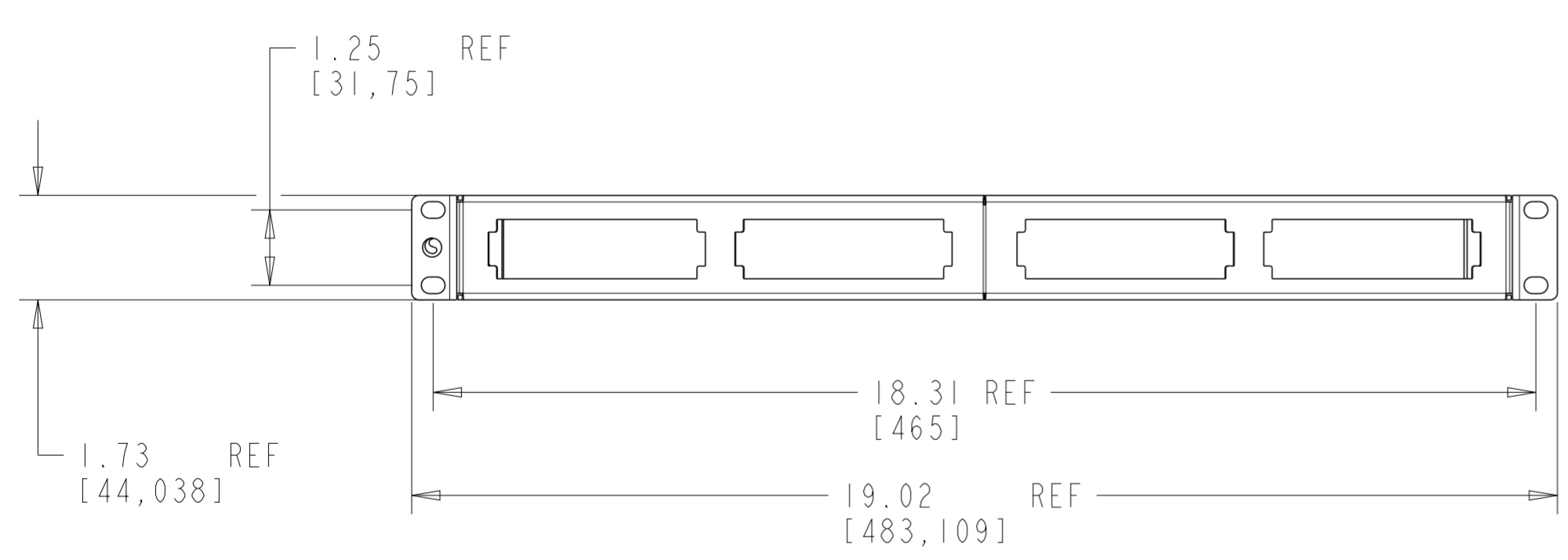
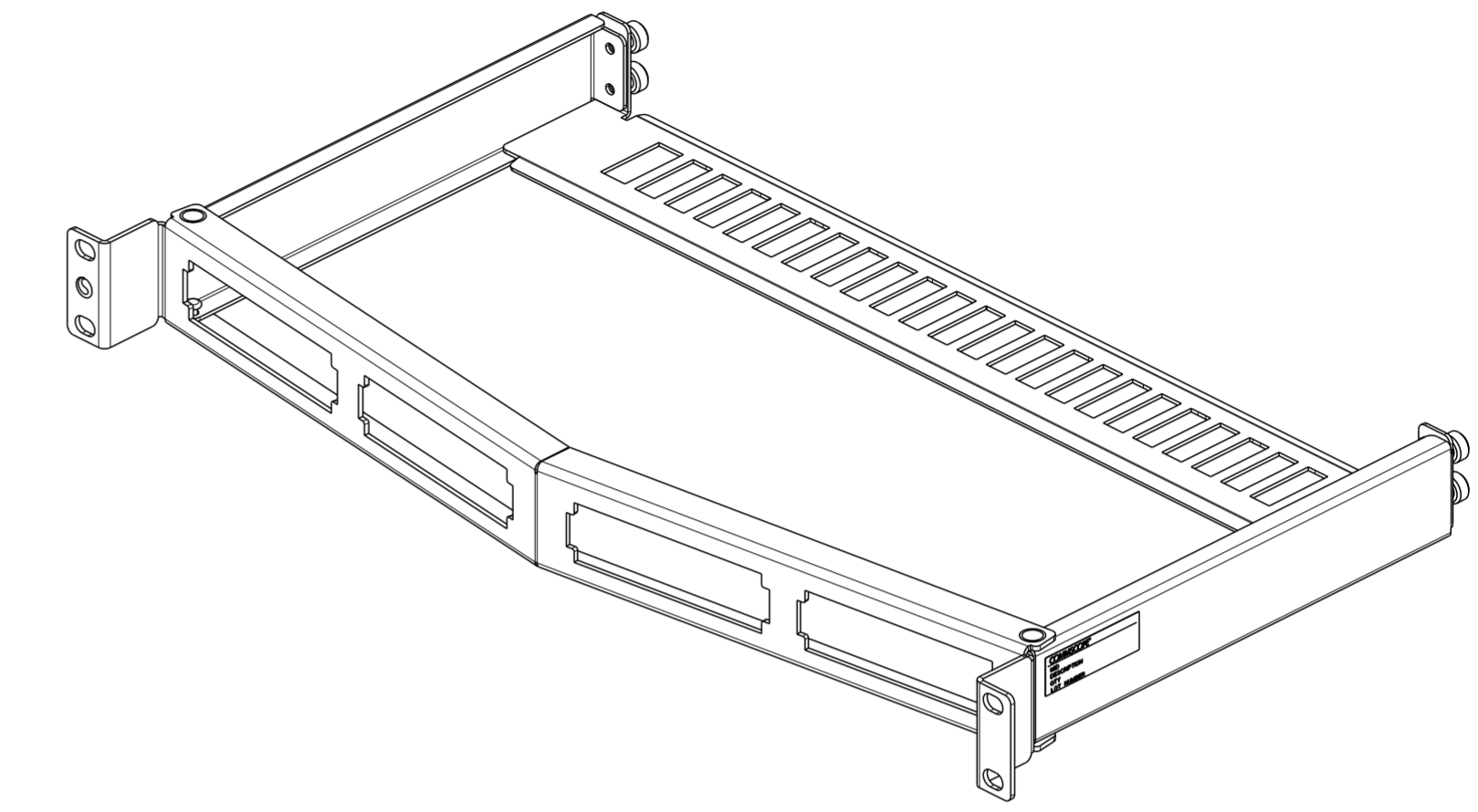
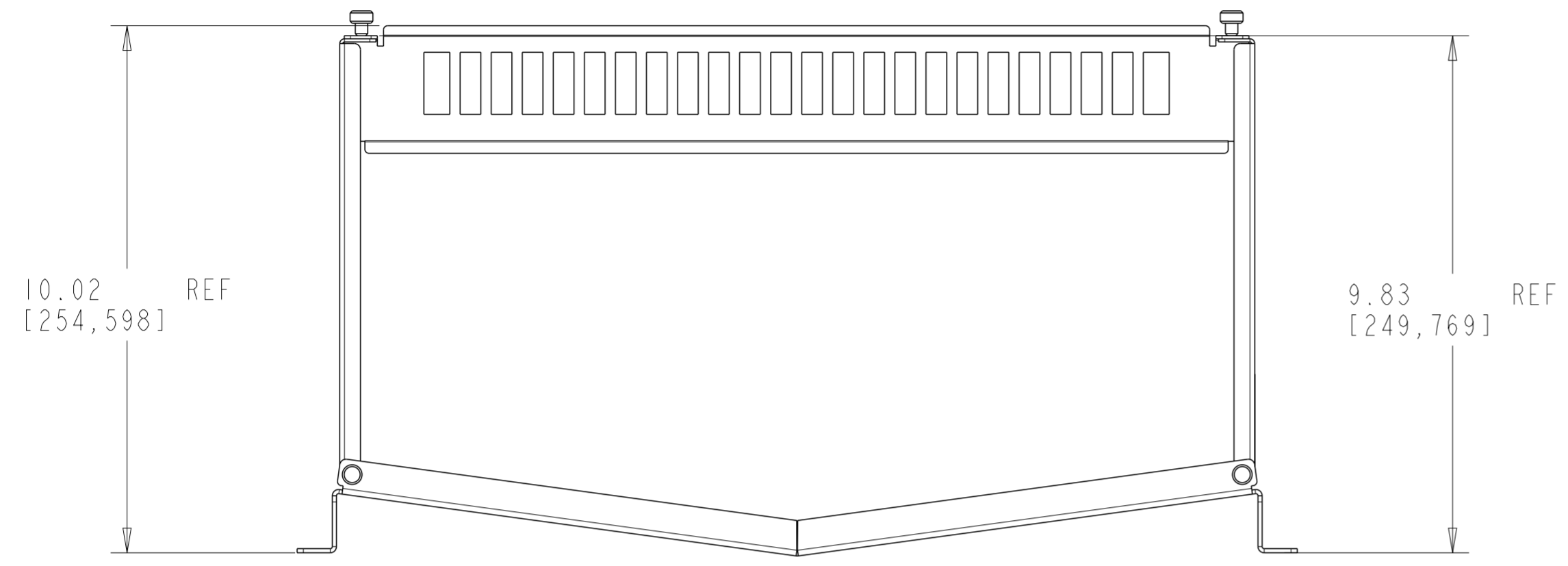


REVISIONS			
REV	DESCRIPTION	DATE	APPROVED
A	NA	22-FEB-2019	AL

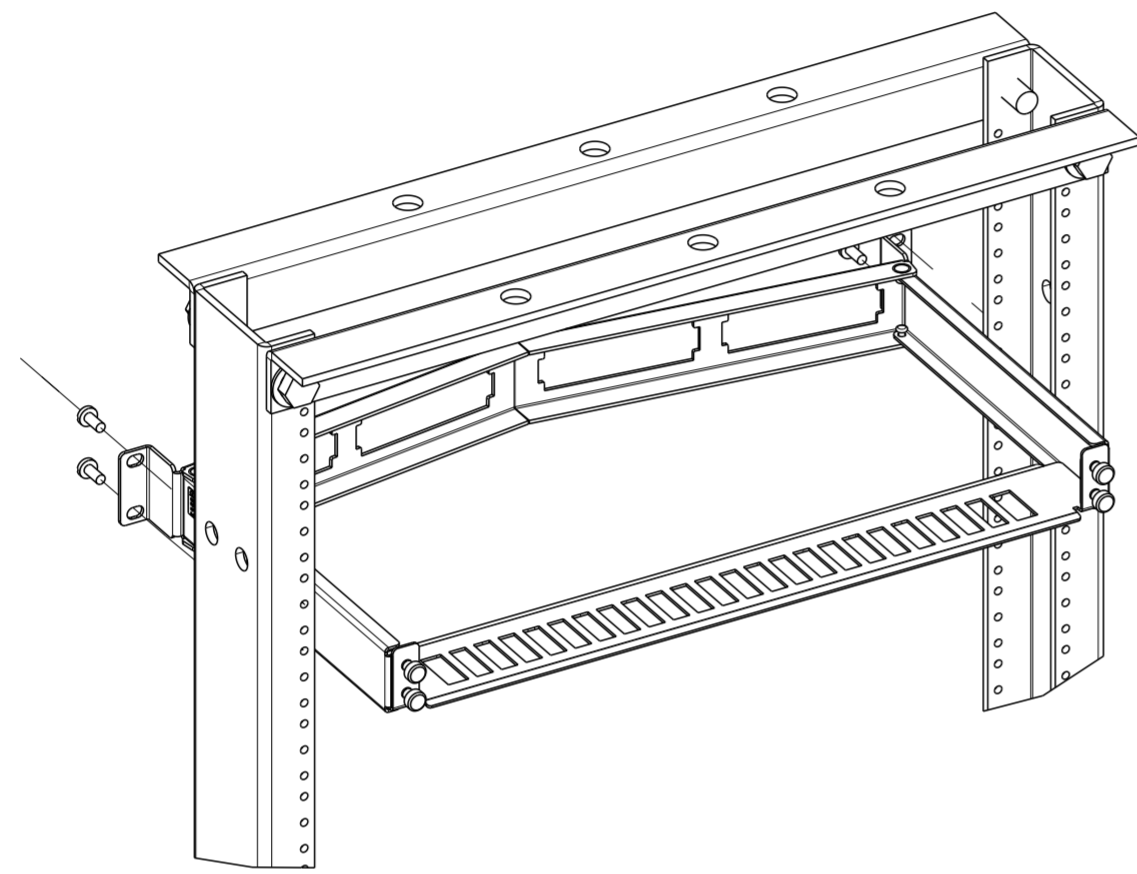


NOTES:

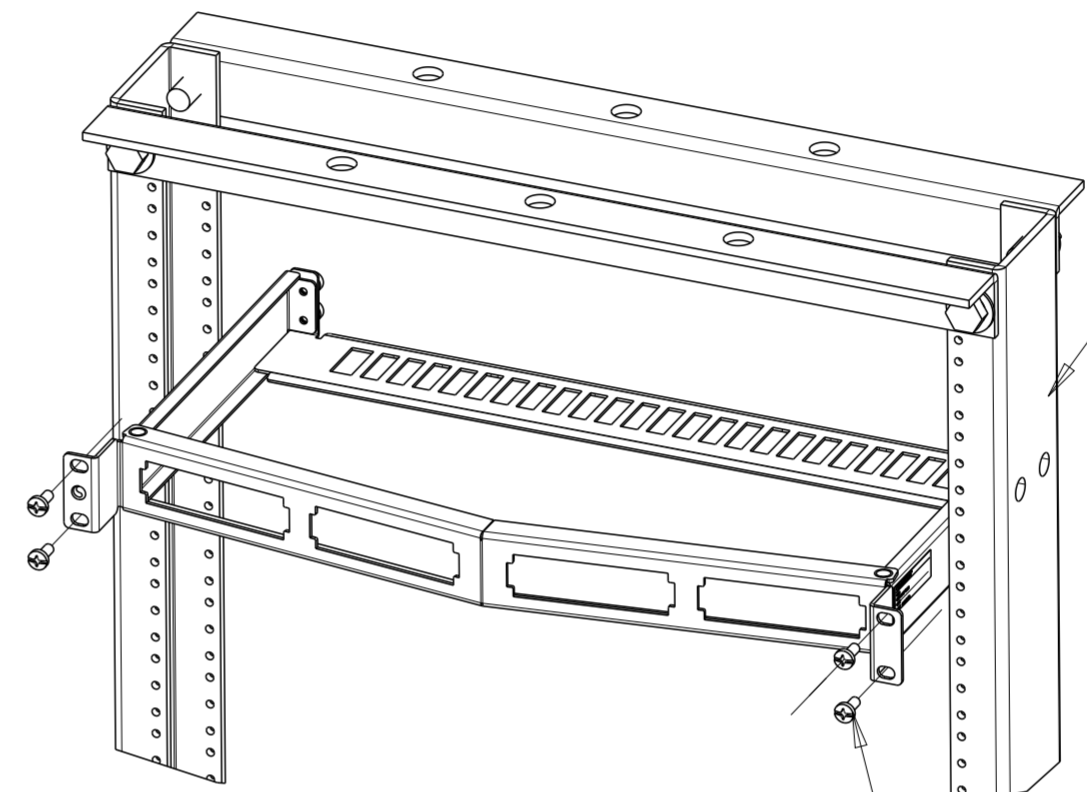
1. ALL DIMENSIONS IN INCHES (mm) UNLESS NOTED.

COMMSCOPE, INC.									
TOLERANCES					SAP MATERIAL MASTER				
N/A									
FINISH					MATERIAL				
N/A					N/A				
UNLESS OTHERWISE SPECIFIED DIMENSIONS ARE IN MILLIMETERS	DRAFTER		TITLE		AGL-IU-ANG-FX INSTALLATION DRAWING				
	A.L.I								
	CHECKER		SIZE		SCALE		DOCUMENT NO.		
	M.DONG		A2		0.400		660003124		
ENGINEER		CMO		WORK AREA: 52		MODEL		DRAWING	
A.L.I									
ALL SURFACES		VERSION		STATUS		REVISION		SHEET	
✓		03		[Symbol]		[Symbol]		1 OF 2	

© 2019 CommScope, Inc. Confidential
 NOTICE: These drawings and specifications are the proprietary property of COMMSCOPE, INC. and may be used only for the specific purpose authorized in writing by COMMSCOPE, INC.



REAR VIEW
RACK FOR REFERENCE



RACK

INSTALL THE PANEL TO FRAME USING
SCREWS (4) PROVIDED WITH UNIT

FRONT VIEW
RACK FOR REFERENCE

COMMSCOPE, INC.

TITLE
AGL-1U-ANG-FX
INSTALLATION DRAWING

SIZE	SCALE	DOCUMENT NO.
A 2	0.250	660003124

DRAWING			SHEET 2 OF 2
VERSION	STATUS	REVISION	

© 2019 CommScope, Inc. Confidential

NOTICE: These drawings and specifications are the proprietary property of COMMSCOPE, INC. and may be used only for the specific purpose authorized in writing by COMMSCOPE, INC.

