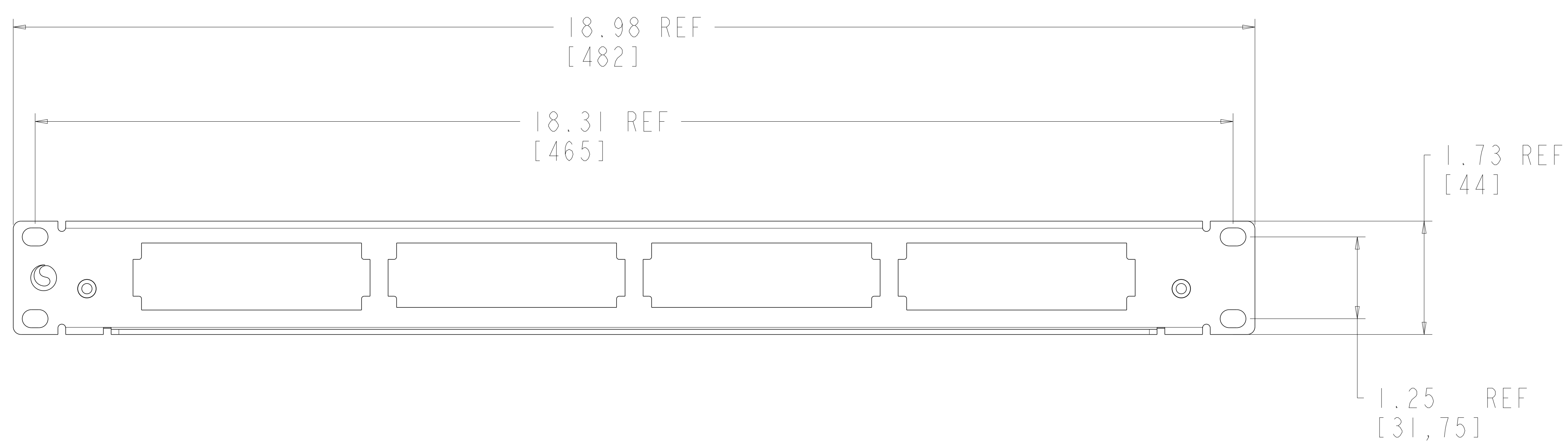
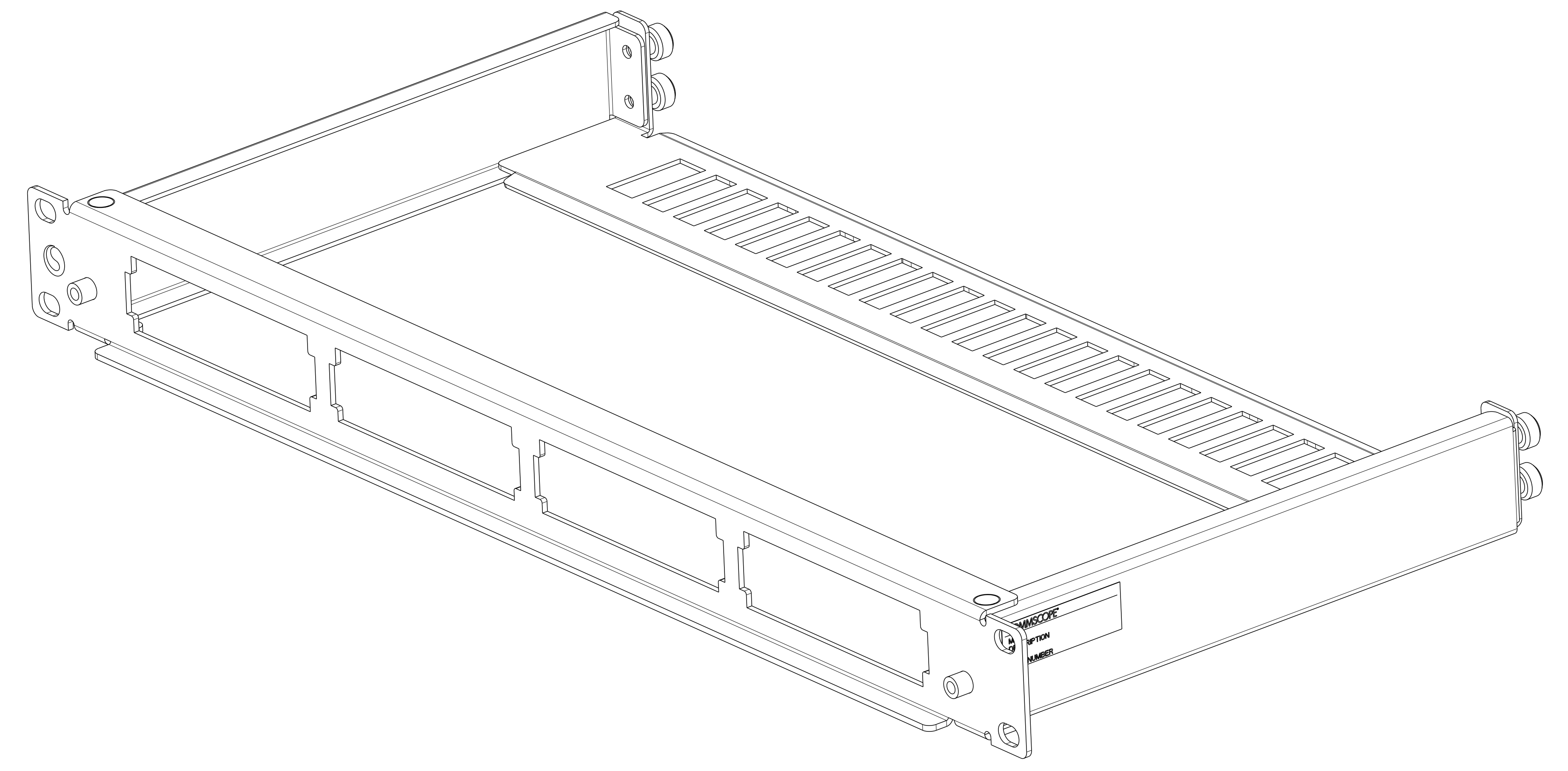
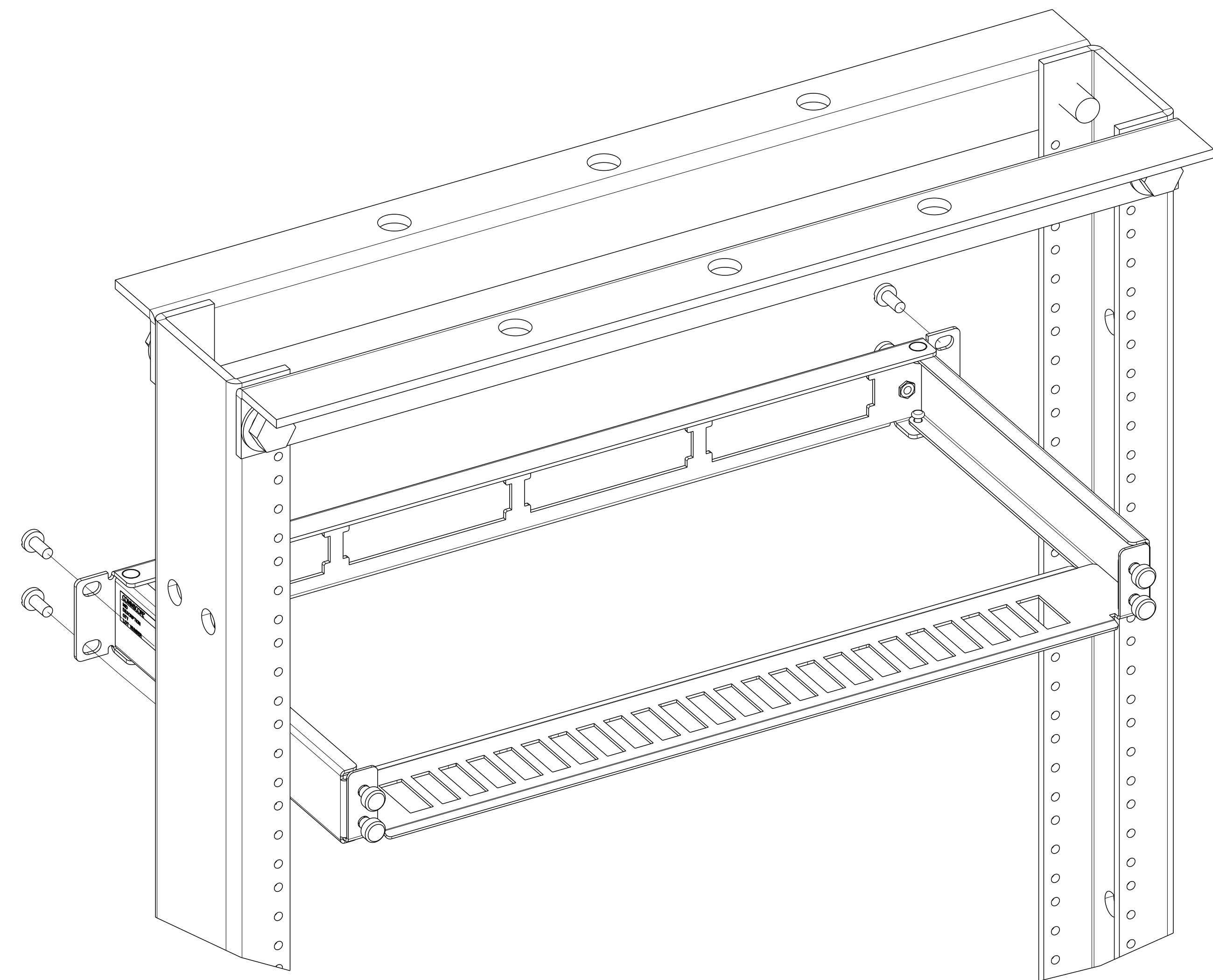


REVISIONS			
REV	DESCRIPTION	DATE	APPROVED
A	N/A	21-FEB-2019	AL

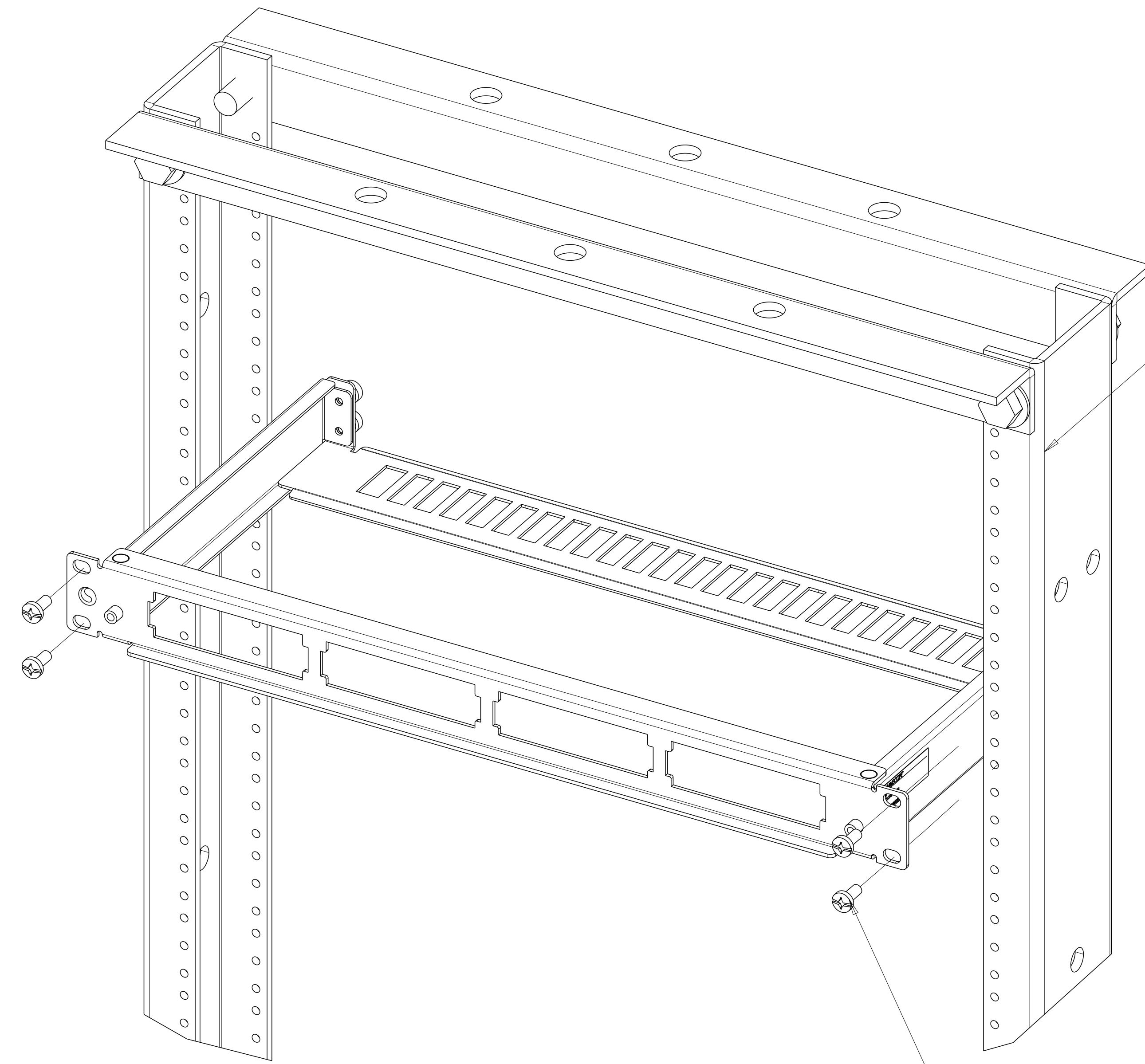


NOTES:
1. ALL DIMENSIONS IN INCHES (mm) UNLESS NOTED.

COMMSCOPE, INC.									
TOLERANCES		N/A		SAP MATERIAL MASTER					
FINISH		N/A		MATERIAL N/A					
SYMBOLS AGREE WITH NAME PLEASE CHECK DIMENSIONS FOR THE SAME REVISION AND STATUS.	DRAFTER	A.L.I		TITLE					
	CHECKER	GUSTAVO CANO		AGL-1U-FX INSTALLATION DRAWING					
	ENGINEER	A.L.I		SIZE	SCALE	DOCUMENT NO.			
	CWO	40080374CMO		A0	1:000	660003123			
ALL SURFACES WORK AREA: 52		MODEL		DRAWING		SHEET			
VERSION		STATUS		REVISION		STATUS		REVISION	
04		03		RE		C		1 OF 2	



REAR VIEW
RACK FOR REFERENCE



RACK

FRONT VIEW
RACK FOR REFERENCE

INSTALL THE PANEL TO FRAME USING
SCREWS (4) PROVIDED WITH UNIT

COMMSCOPE, INC.			
TITLE			
AGL-1U-FX INSTALLATION DRAWING			
SIZE	SCALE	DOCUMENT NO.	
A0	1:000	660003123	
DRAWING			SHEET
VERSION STATUS REVISION			2 OF 2
03	RE	C	

© 2019 ComScope, Inc. Confidential
NOTE: These drawings and specifications are the property of COMMSCOPE, INC.
and may be used only for the specific purpose authorized in writing by COMMSCOPE, INC.