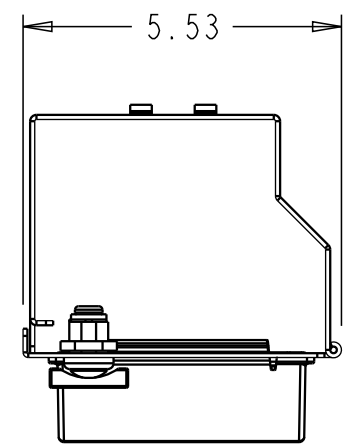
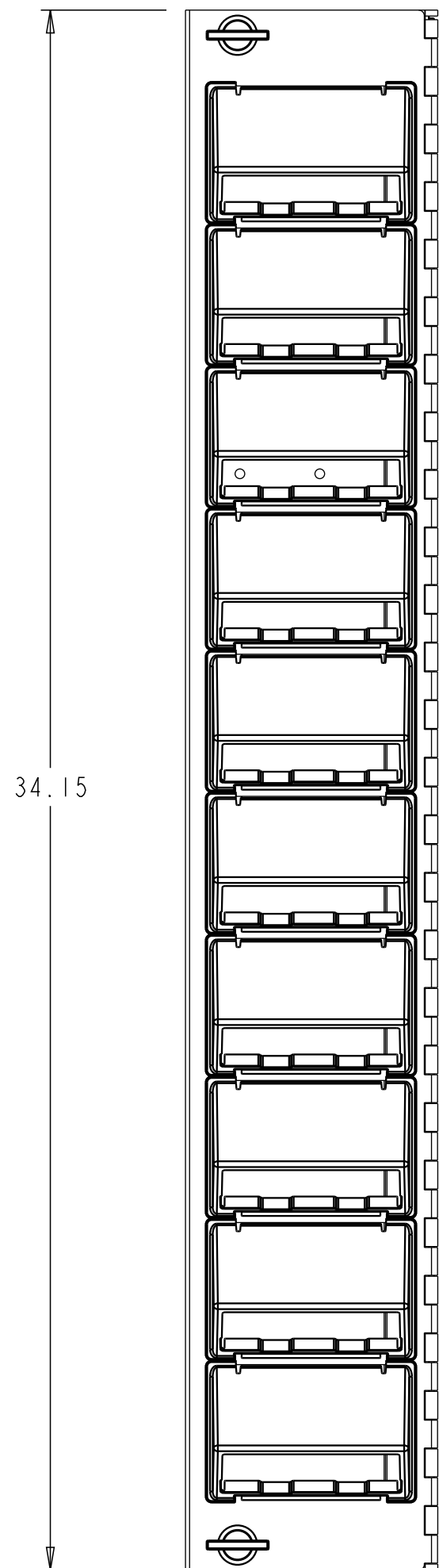


REV	ECN	DWN	DATE
B	8000017207	GCC	08-NOV-16

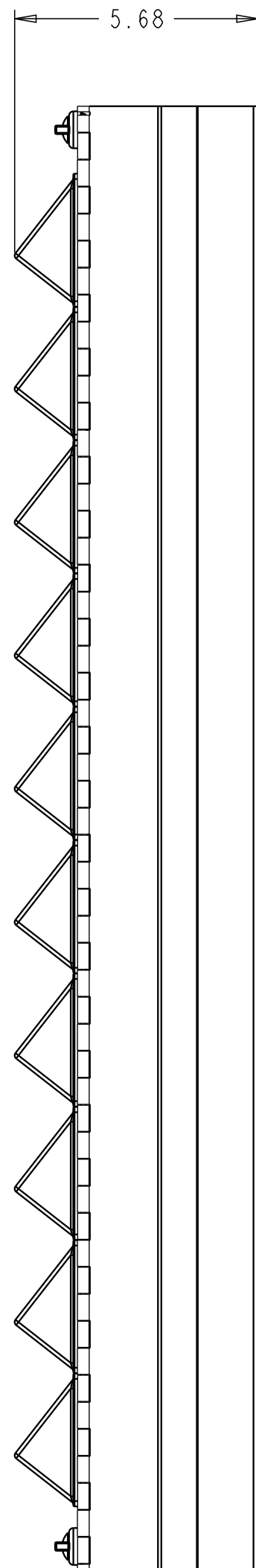


TOP VIEW



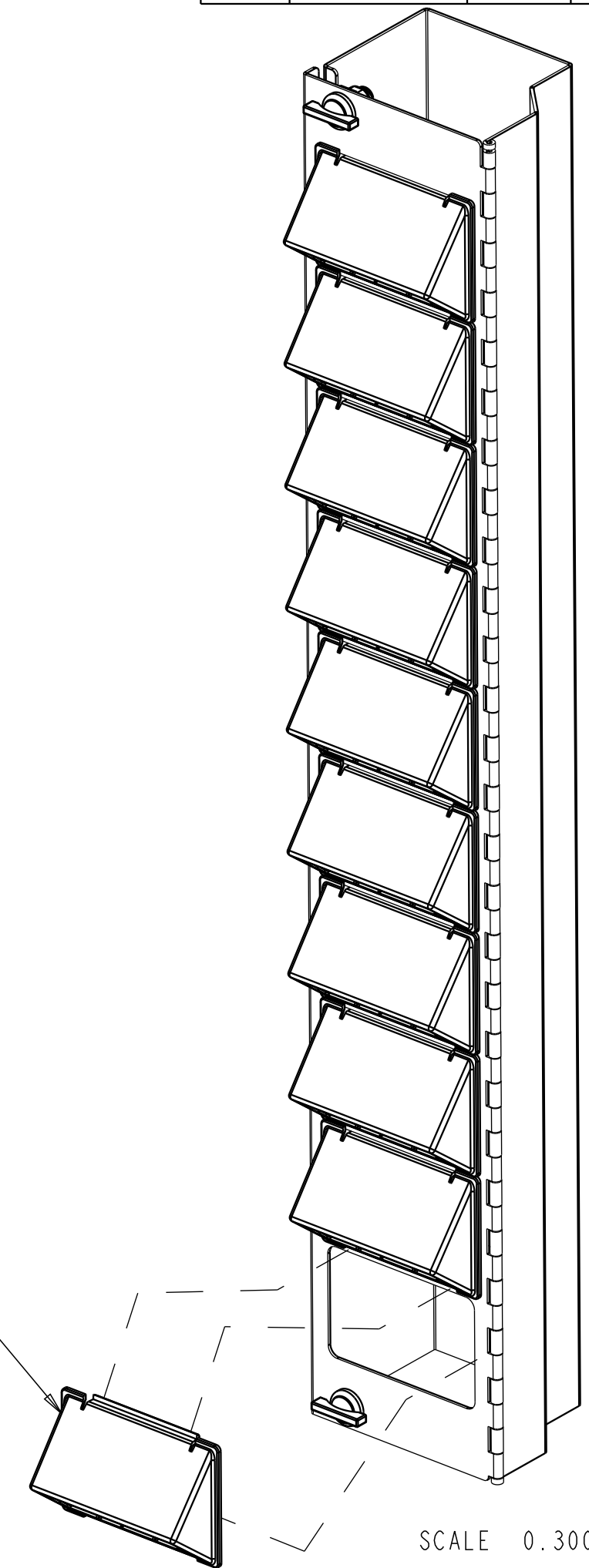
SCALE 0.300

FRONT VIEW



SIDE VIEW

EXPLODED HOOD



SCALE 0.300

NOTES:

1. - REMOVE PLASTIC HOODS (10) EA FROM INSIDE THE CHASSIS.
2. - INSERT PLASTIC HOOD INTO CHASSIS AS SHOWN (INSERT THE TOP OF THE HOOD LIP FIRST AND THEN PRESS IN THE BOTTOM HOOD LIP). IT IS IMPORTANT TO START FROM THE BOTTOM POSITION OF THE CHASSIS AND WORK YOUR WAY UP TO THE TOP POSITION.
3. - HANG CHASSIS TO CABINET BY INSERTING CHASSIS HOOKS IN CABINET KEYHOLES.
4. - SECURE CHASSIS TO CABINET WITH (2) EA SELF TAPING SCREWS (PROVIDED).
5. - INSER CASSETTES (NOT PROVIDED) INTO PLASTIC HOODS.  
(DO NOT TRY TO INSERT HOODS INTO THE CHASSIS WITH CASSETTES LOADED FIRST).

CATALOG: CS-UCP-ZRC-KT

COMMSCOPE, INC.

© 2016 COMMSCOPE, INC. CONFIDENTIAL  
NOTICE: THESE DRAWINGS AND SPECIFICATIONS ARE THE PROPRIETARY PROPERTY OF COMMSCOPE, INC. AND MAY BE USED ONLY FOR THE SPECIFIC PURPOSE AUTHORIZED IN WRITING BY COMMSCOPE, INC.

ALL DIMS AND TOLERANCES .XX:±.02  
ARE INCHES UNLESS .XXX:±.010  
OTHERWISE SPECIFIED ANGULAR:±N/A

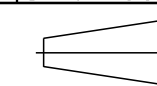
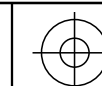
DO NOT SCALE DRAWING

ENGR: GUSTAVO CANO  
DWN: GUSTAVO CANO

TITLE INSTALLATION DRAWING  
ZERO RU FI/CU

DRAWING NUMBER 660000227

SHT. 1 OF 1



DIMENSIONS IN INCHES  
THIRD ANGLE PROJECTION