

Installation Instructions

Downtilt Mounting Kit DB5098-WM

Andrew Institute offers installation training.

GENERAL INFORMATION

The DB5098-WM downtilt kit includes two angle indicator labels for use in setting the downtilt angle. This downtilt kit is designed to be used with the DB390 (014748-001) standard galvanized pipe mount kit. Required 3/8" hardware is provided with the DB5098-WM and DB390 mounting kits.

Fits round members 2.4" to 4.5" (60-115 mm) O.D. or angle members up to 2.5" (63.5 mm) on a side.

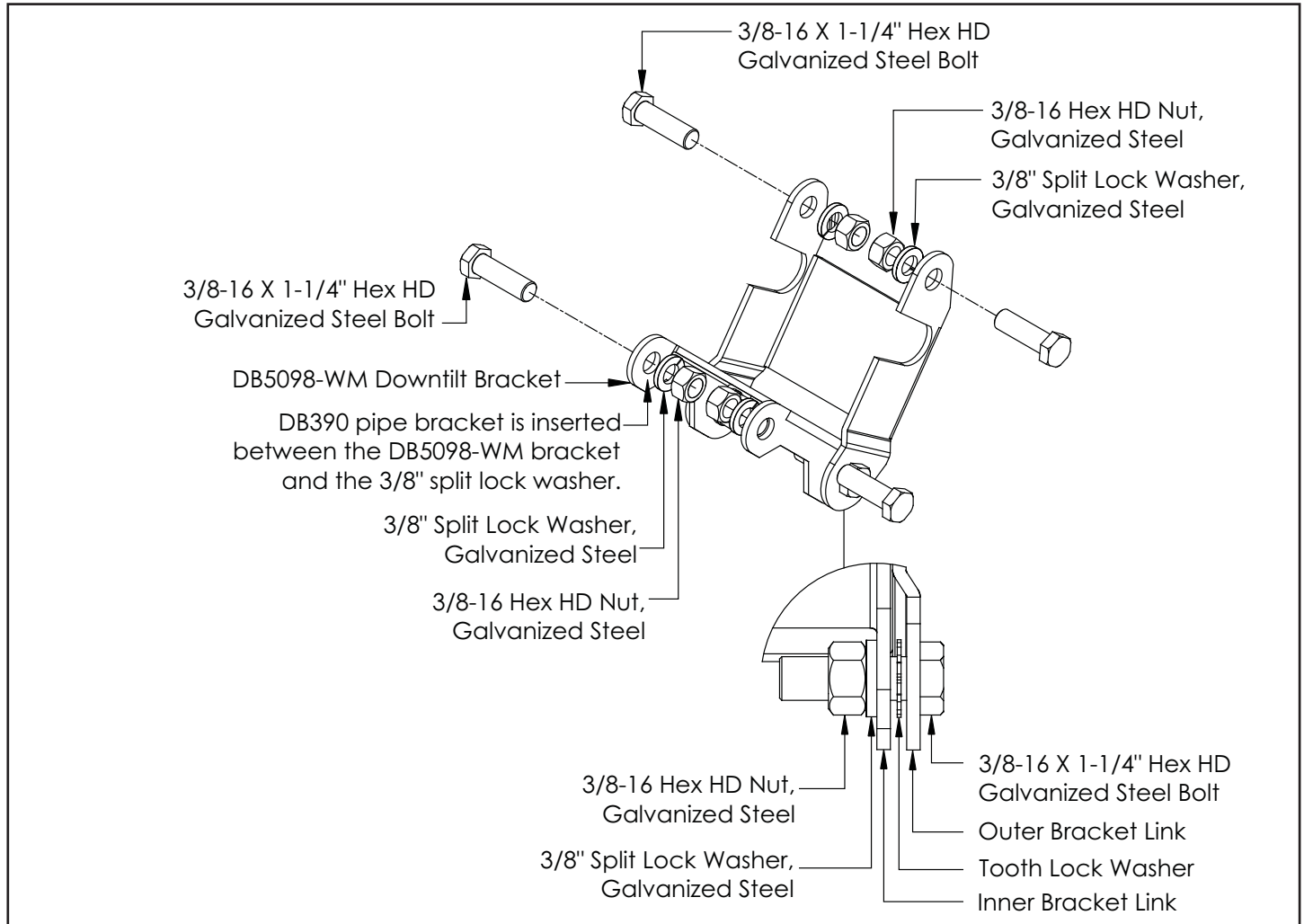


Figure 1. DB5098-WM Downtilt Bracket Assembly.

(continued on page 2)

NOTICE

The installation, maintenance, or removal of an antenna requires qualified, experienced personnel. Andrew installation instructions are written for such installation personnel. Antenna systems should be inspected once a year by qualified personnel to verify proper installation, maintenance, and condition of equipment.

Andrew disclaims any liability or responsibility for the results of improper or unsafe installation practices.



Do not install near power lines. Power lines, telephone lines, and guy wires look the same. Assume any wire or line can electrocute you.



Do not install on a wet or windy day or when lightning or thunder is in the area. Do not use metal ladder.



Wear shoes with rubber soles and heels. Wear protective clothing including a long-sleeved shirt and rubber gloves.

(Continued from page 1)

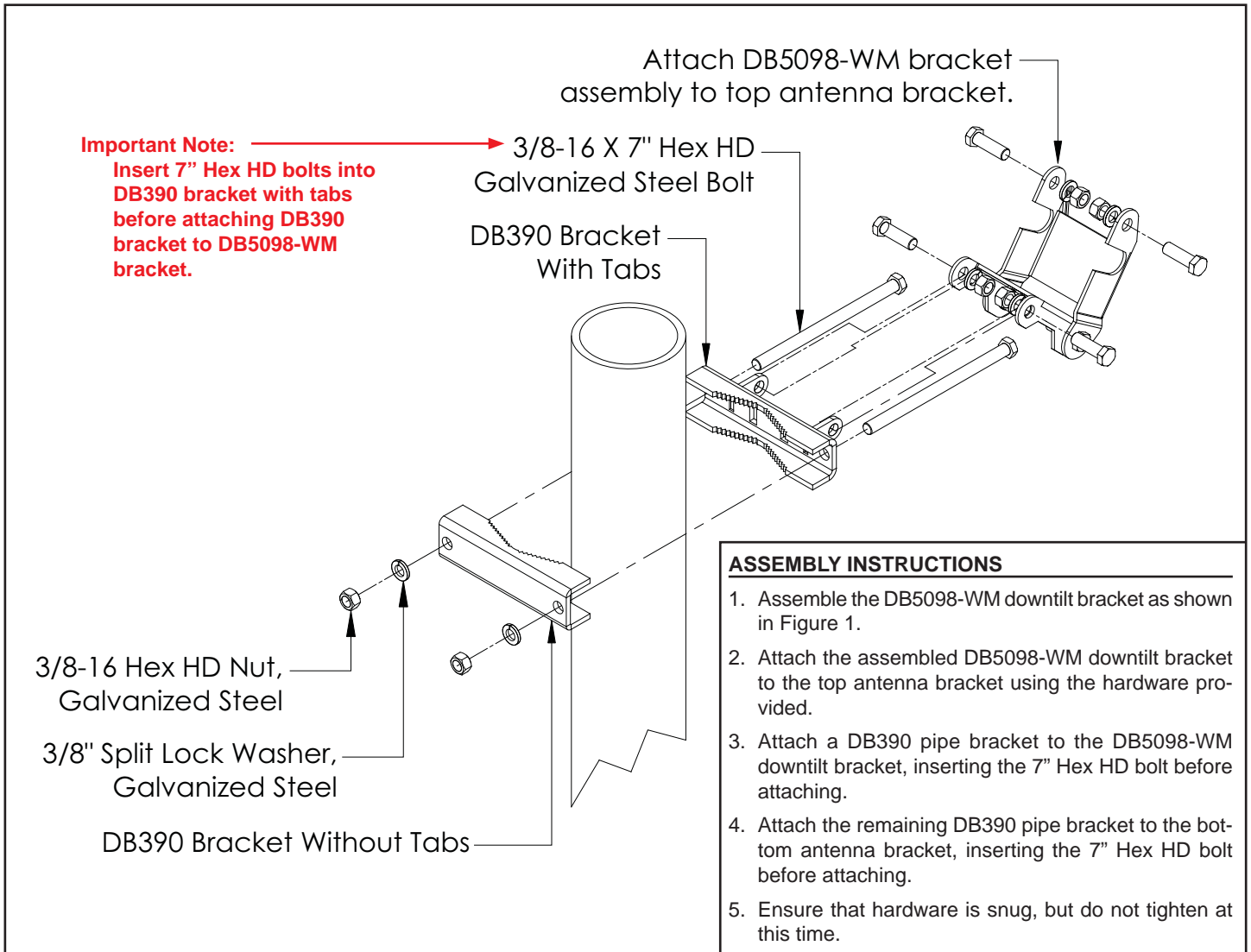


Figure 2. Attaching DB5098-WM Downtilt Mount to the Pipe and the Antenna.

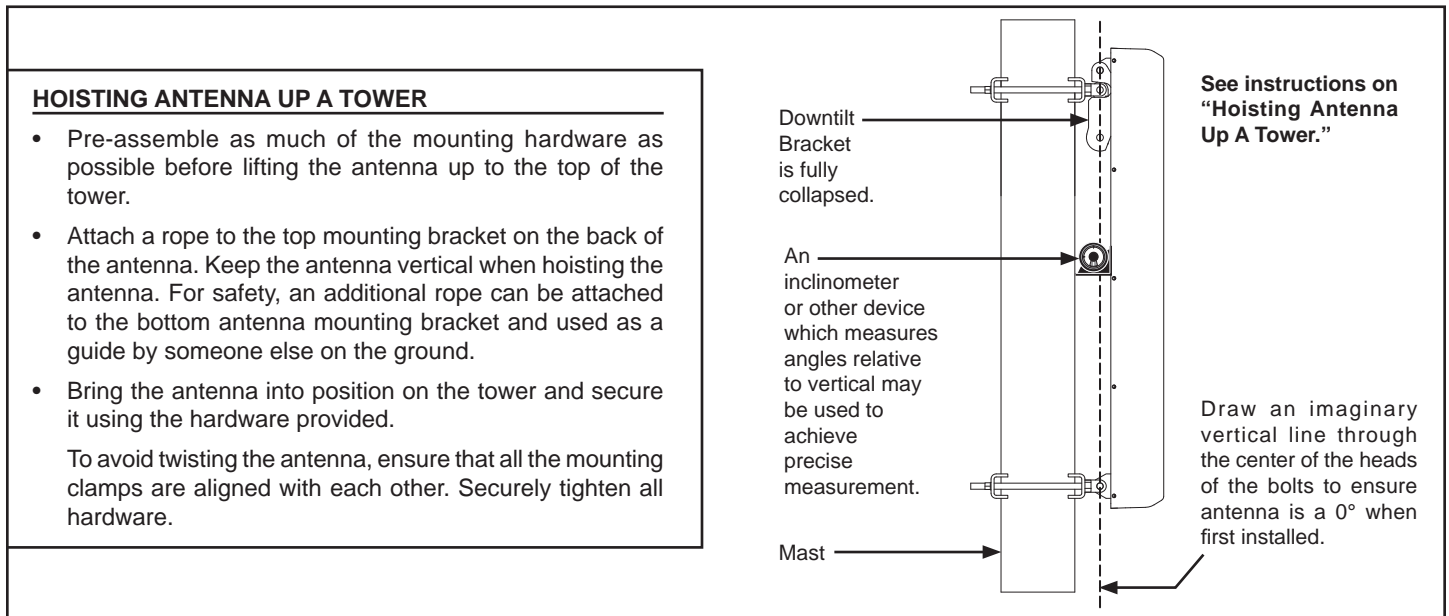


Figure 3. Ensure Antenna is Fully Collapsed at 0° When Attaching the Antenna to the Tower.

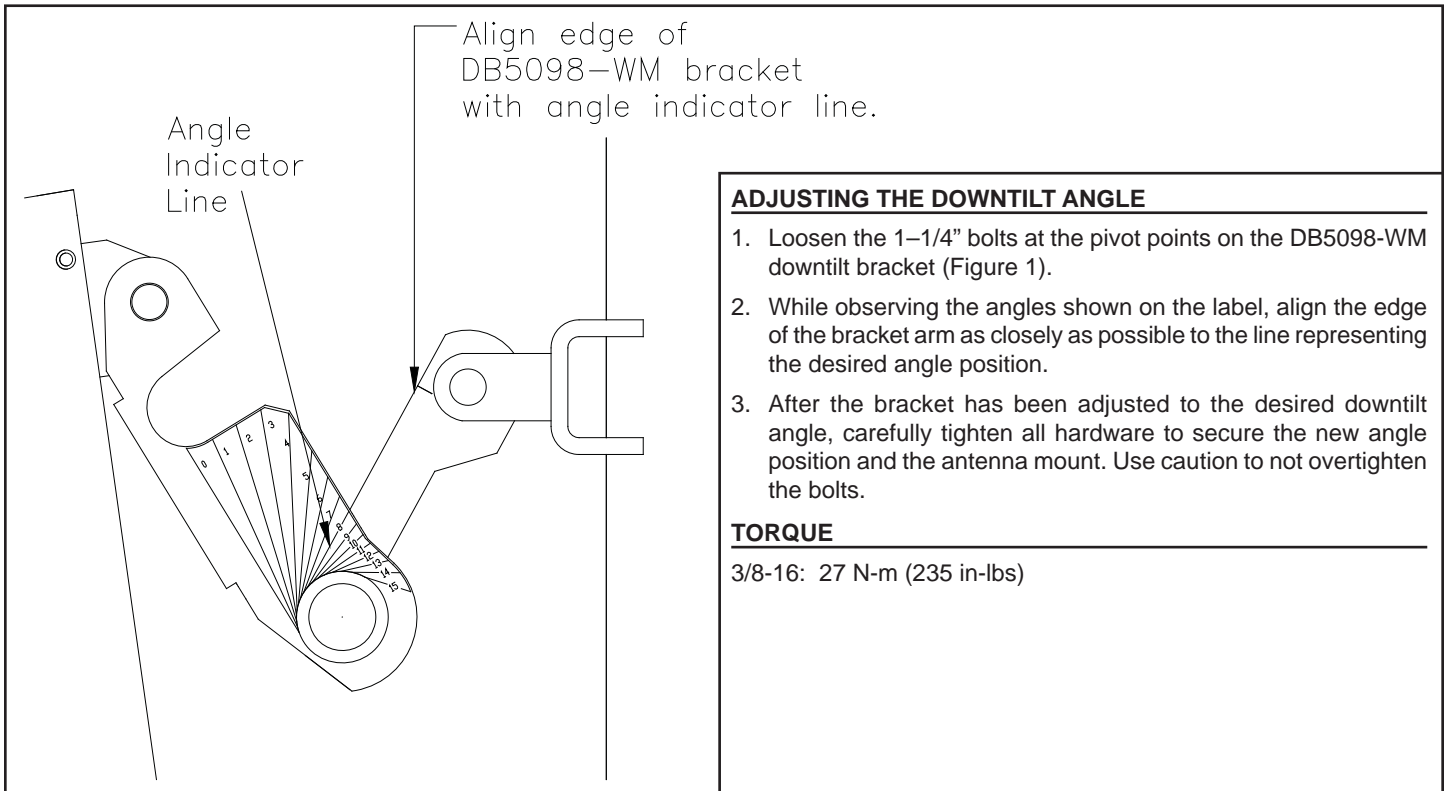


Figure 4. Adjusting the Downtilt Angle.