

639522 Revision D, February 2017

Pipe Kit for Mounting 1 to 3 Antennas
800PIPEKIT-X

GENERAL INFORMATION

The 800PIPEKIT-X is used for mounting one to three Commscope base station antennas to an existing pole measuring 3.5", 4.5", or 5.5" in diameter.

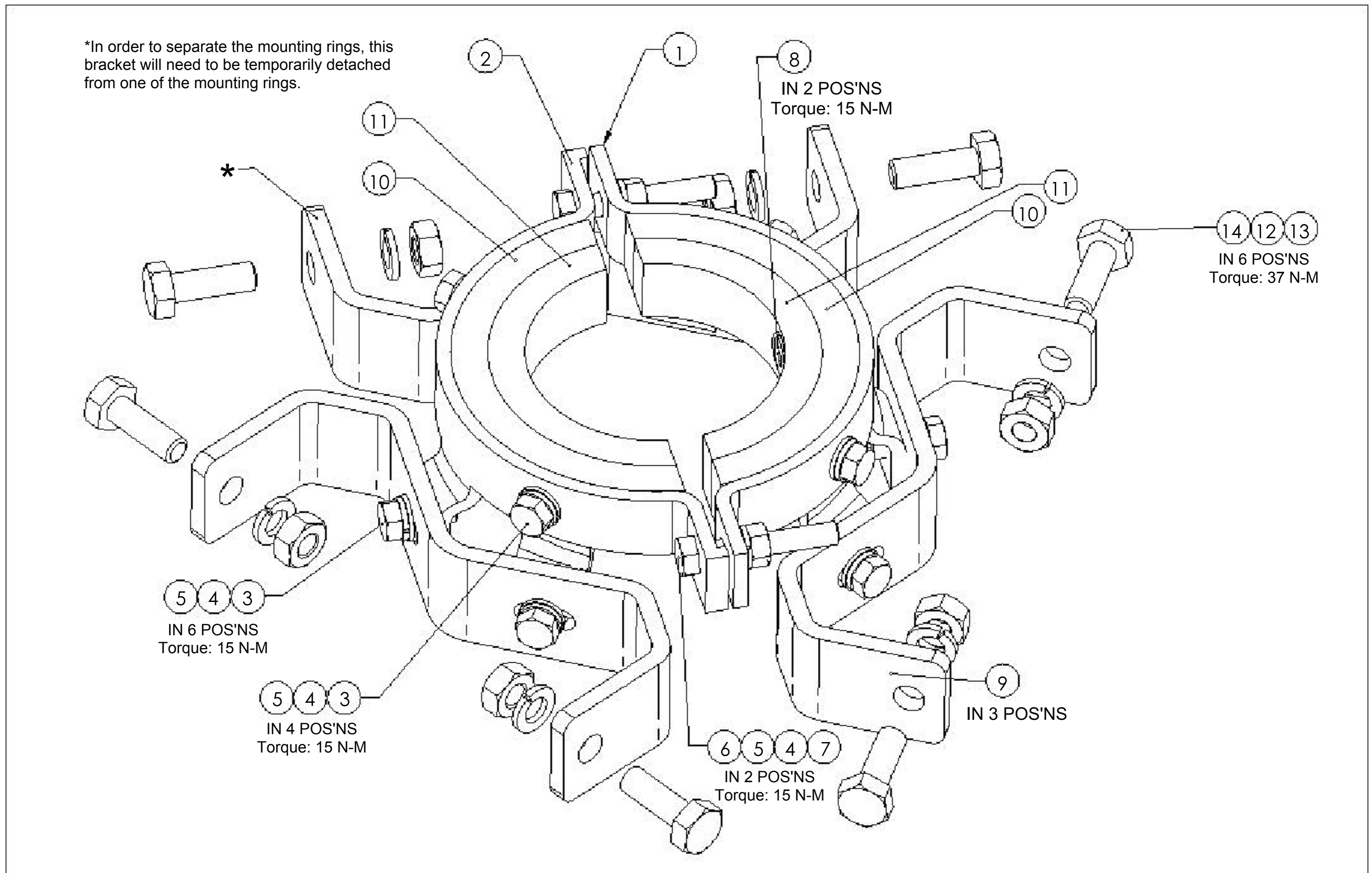


Figure 1. Top 800PIPEKIT-X Assembly.

Item	P/N	Description	Qty
1	650021-1	Mounting Ring	2
2	650022-1	Mounting Ring	2
3	100533-27	M8x20 Screw, HCS, Hex, Galv. Steel	20
4	100522-33	M8 Split Lock Washer, Galv. Steel	24
5	100521-33	M8,8.4x16x1.6 Flat Washer, Galv. Steel	24
6	100533-81	M8x50 Screw, HCS, Hex, Galv. Steel	4
7	100526-33	M8 Nut, Hex, Galv. Steel	4
8	204035-35	M8x16 Screw, FH, Hexsock, Galv. Steel	4
9	081698-002	Bracket, Mounting Pole	6
10	650027-1	4-1/2" Adapter	4
11	650028-1	3-1/2" Pipe Adapter	4
12	100522-39	M10 Split Lock Washer, Galv. Steel	12
13	100526-39	M10 Nut, Hex, Galv. Steel	12
14	100534-30	M10x30 Screw, HCS, Hex, Galv. Steel	12

Table 1. 800PIPEKIT-X Parts.

HARDWARE INSTALLATION

1. While on the ground, determine if the pre-attached pipe adapters will be needed, based on the diameter of the pole.
2. Separate the mounting rings (Items 1 and 2, Figure 1) to prepare for attaching the assembly to the pole. Note that in order to separate the mounting rings, the bracket noted in Figure 1 will temporarily need to be removed from one of the mounting rings.
3. If the 800PIPEKIT-X assembly will be mounted to a 3.5" pole, proceed to step 6.
4. If the 800PIPEKIT-X assembly will be mounted to a 4.5" pole, remove the 3.5" pipe adapter (Item 11, Figure 1) and proceed to step 6.

(continued on page 2)

(Continued from page 1)

5. If the 800PIPEKIT-X assembly will be mounted to a 5.5" pole, remove both pipe adapters (Items 10 and 11, Figure 1) and proceed to step 6.
6. Attach the mounting ring assemblies (top and bottom) to the pole, using the hardware that was removed when the rings were separated in step 2.
7. Tighten hardware to secure all brackets to the mounting rings. Ensure that the bracket that was partially detached in step 2 is reattached to the mounting ring.

See examples of completed hardware installation in Figures 2 through 4.

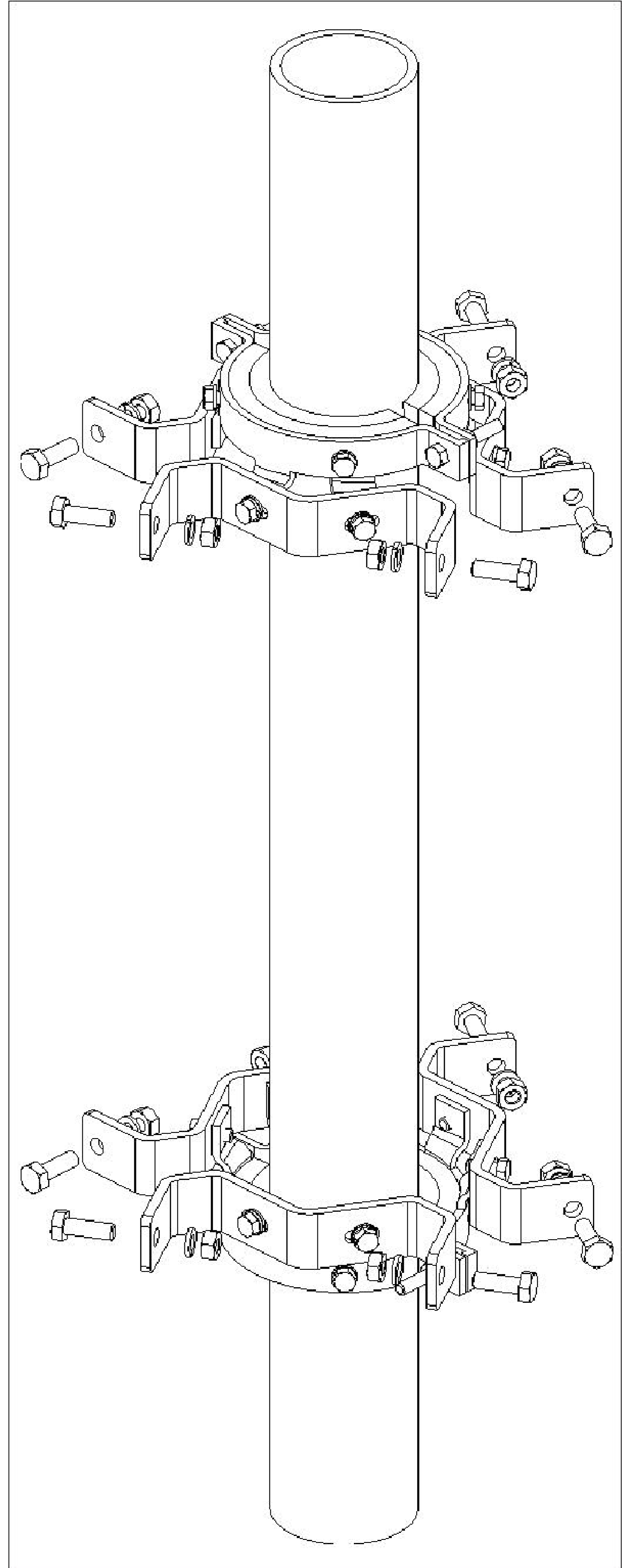


Figure 2. Top and Bottom Hardware Assembly for 3.5" Pole.

(continued on page 3)

(Continued from page 2)

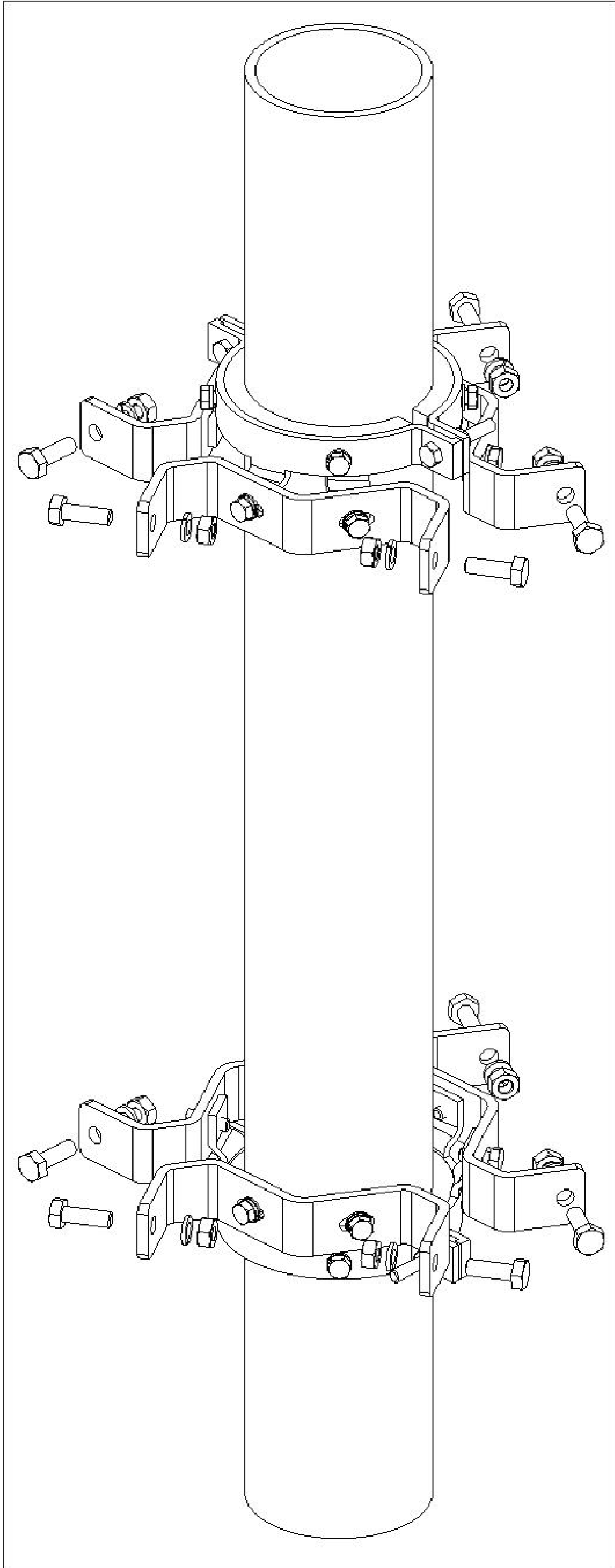


Figure 3. Top and Bottom Hardware Assembly for 4.5" Pole.

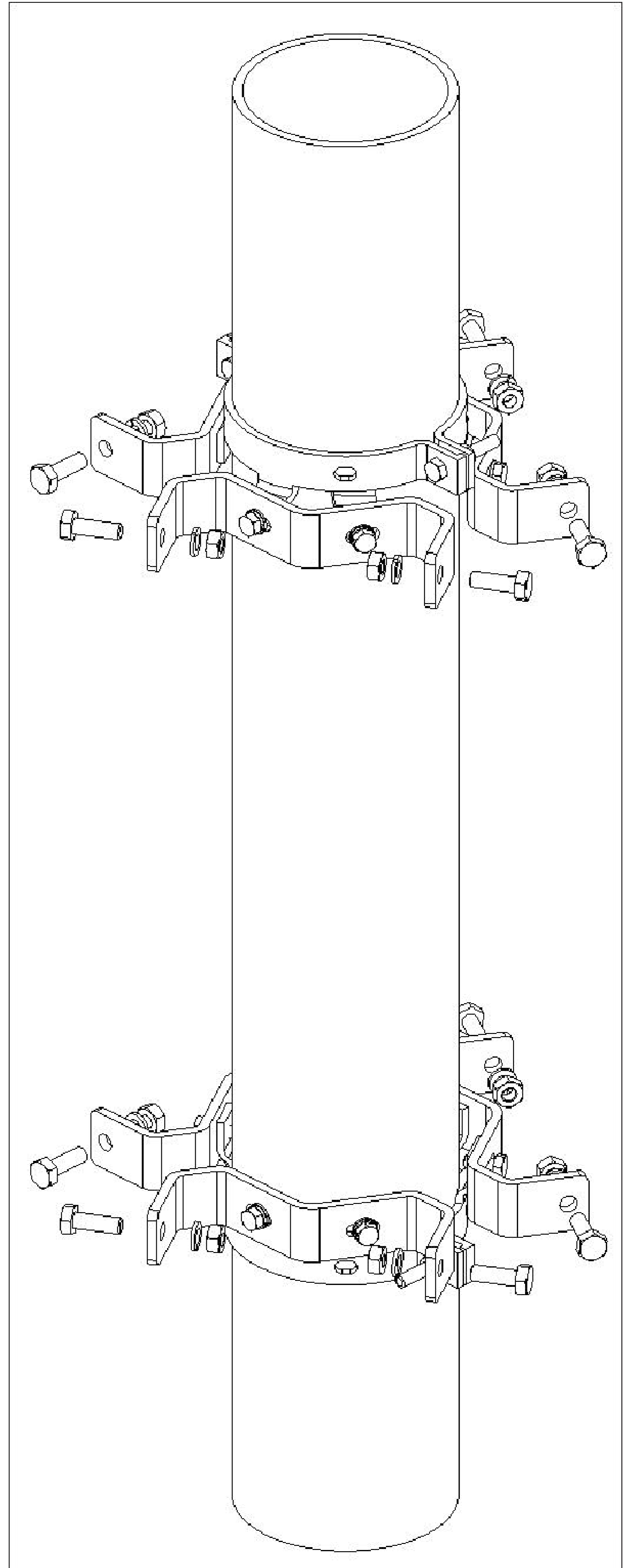


Figure 4. Top and Bottom Hardware Assembly for 5.5" Pole.

(continued on page 4)

(Continued from page 3)

STANDARD ANTENNA INSTALLATION

1. For accuracy, measure the center-to-center distance (A) between the mounting bracket holes of the top and bottom brackets on the antenna. Next, measure the center-to-center distance (A) between the mounting bracket holes. These two measurements should be the same distance (A). See Figure 5.
2. First fix the top mounting kit on the pole by the correct position angle. Attach the antenna to the mounting pole bracket and tighten it up. Next, fix the PIPEKIT bottom mounting kit on the pole, the center-to-center distance(A) between top and bottom brackets should be the same with antenna two brackets center-to-center distance(A). Final step, attach the antenna bottom bracket to PIPEKIT bottom mounting pole brackets and tighten all screws. Be careful not to over tighten. Proper tools may be required. See Figure 9 for reference.

See Figure 6 for examples of completed antenna installation.



Figure 9. Recommended tool list

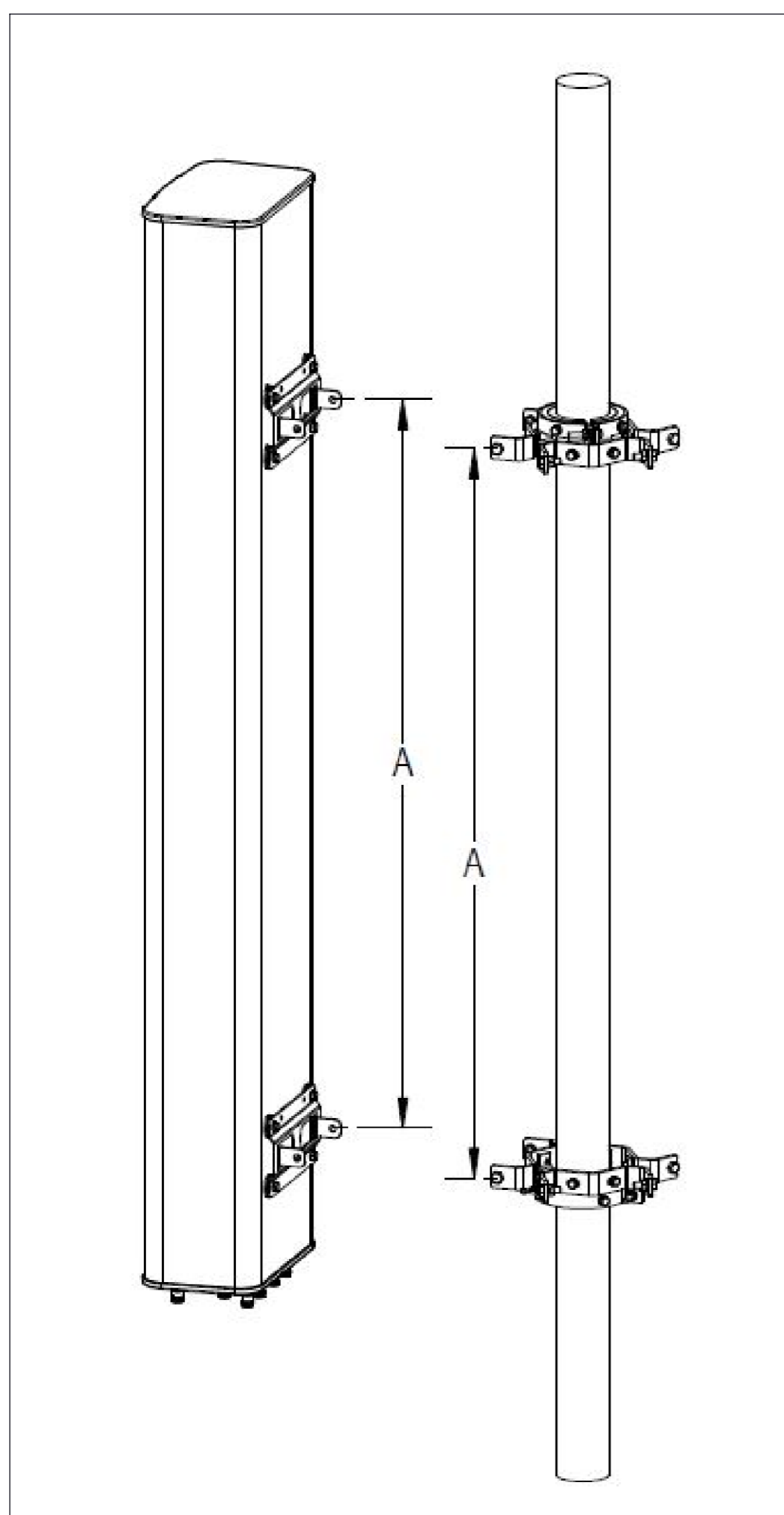


Figure 5. Obtaining Measurements for Mounting.

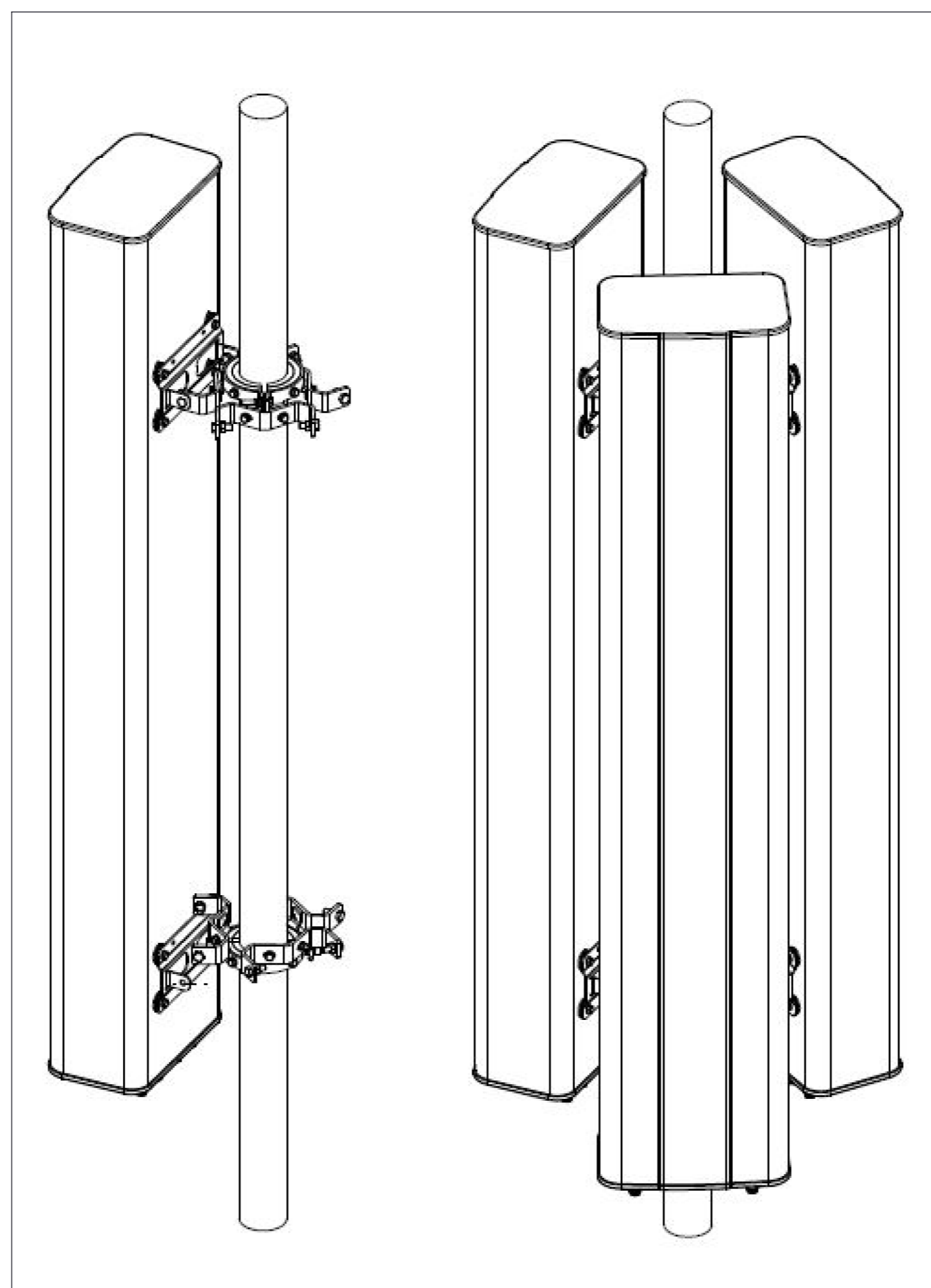


Figure 6. Attaching Antenna(s) to Pole.

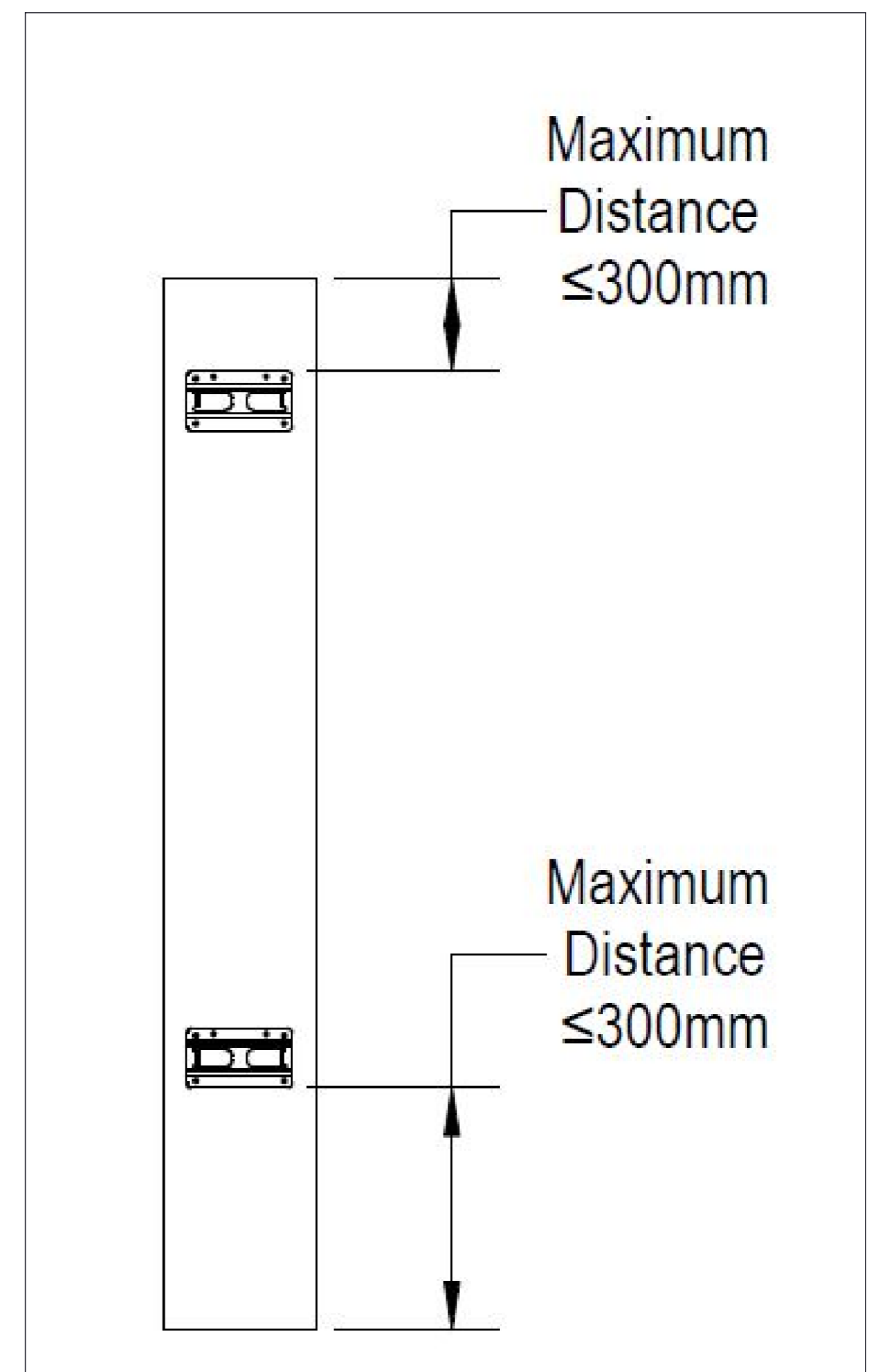


Figure 8. Maximum Distance between bracket and endcap.

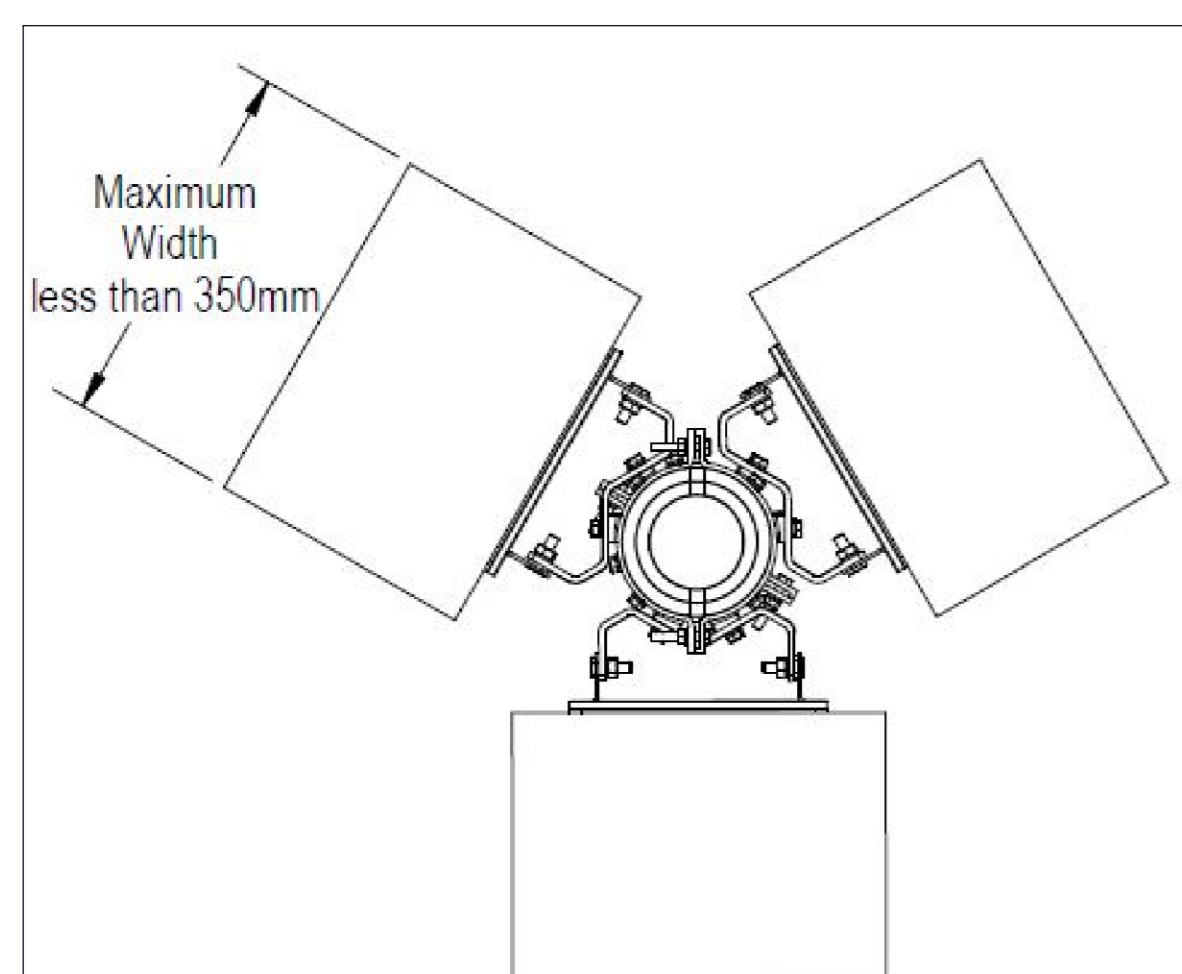


Figure 7. Maximum Antenna Width

NOTE: If triple antennas need to be installed, the suggested maximum antenna width should not be over 350mm and the distance between antenna brackets to the endcaps needs to be less than 300mm to guarantee enough operation space for installation.

See figure 7 and figure 8 for reference

(continued on page 5)

(Continued from page 4)

USING BSAMNT-1/3 DOWNTILT KIT

1. Assemble the bracket links and hardware as shown in Figure 10.
2. Attach the assembled downtilt bracket to the antenna.
3. Position the downtilt angle to 0° and attach the antenna to the 800PIPEKIT-X bracket assembly.
4. Set the downtilt angle to the desired position. The use of an inclinometer or other device, which measures angles relative to vertical, is required for precise downtilt measurements.
5. After angle of degree is achieved completely tighten all hardware, being careful to not overtighten.

See Figure 10 and 11.

USING BSAMNT-1/3 DOWNTILT KIT (IN UPTILT CONFIGURATION)

1. For uptilt mounting, incorporate downtilt bracket into bottom bracket assembly as shown in Figure 9.
2. The use of an inclinometer or other device, which measures angles relative to vertical, is required for precise uptilt measurements.
3. After angle of degree is achieved completely tighten all hardware, being careful to not overtighten.

See Figure 12.

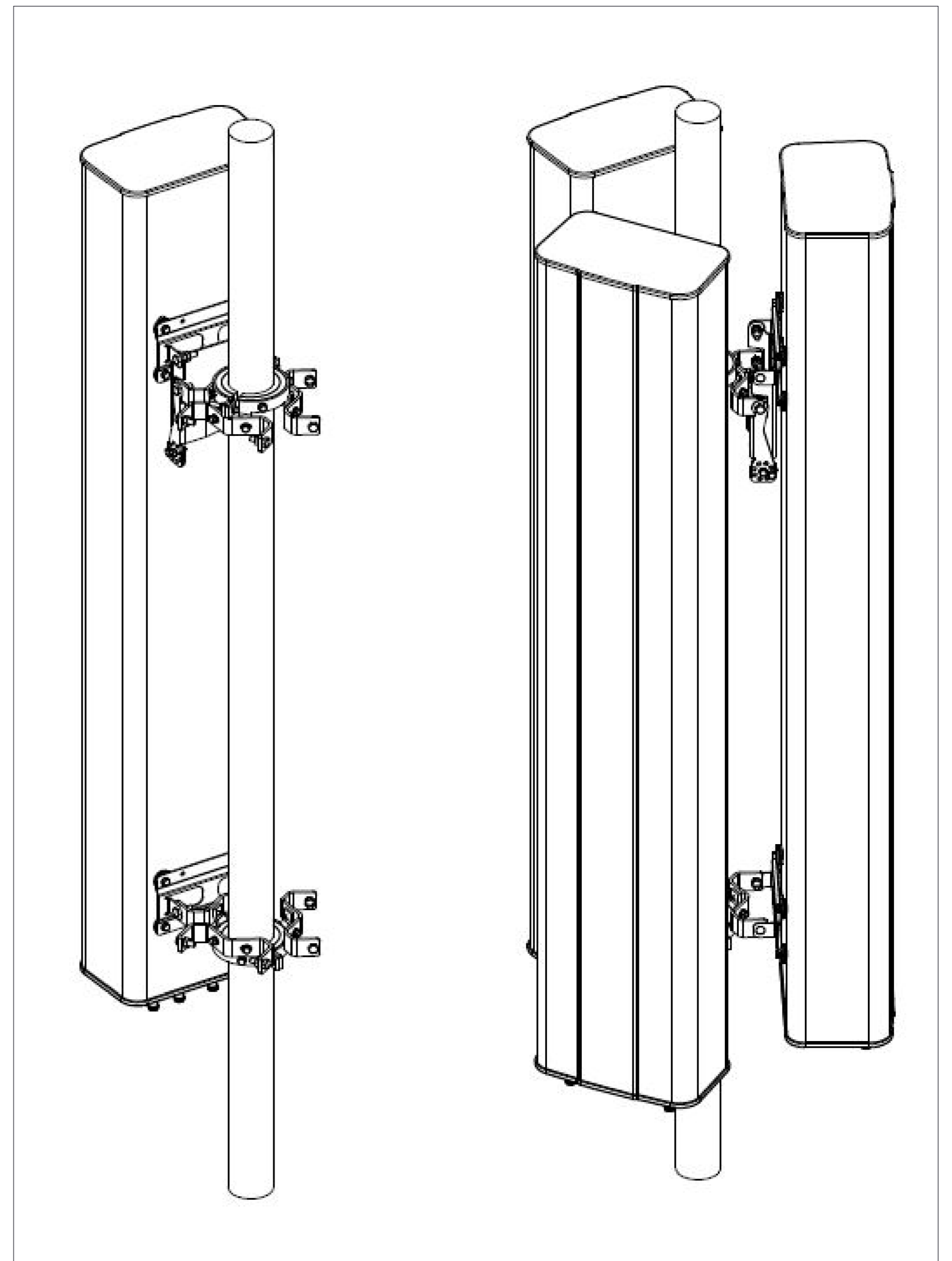


Figure 11. Downtilt Mounting.

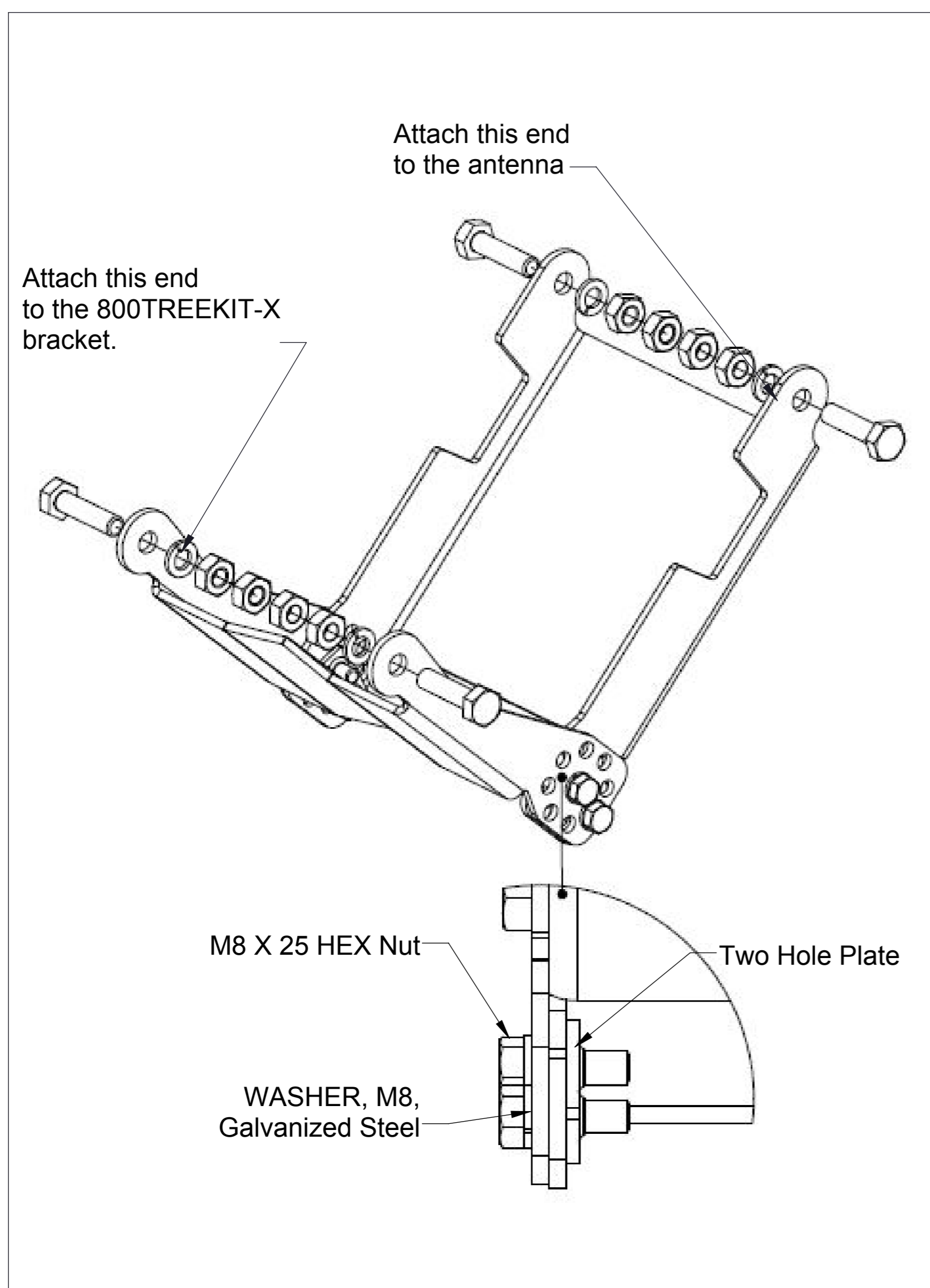


Figure 10. BSAMNT1-3 Downtilt Assembly.

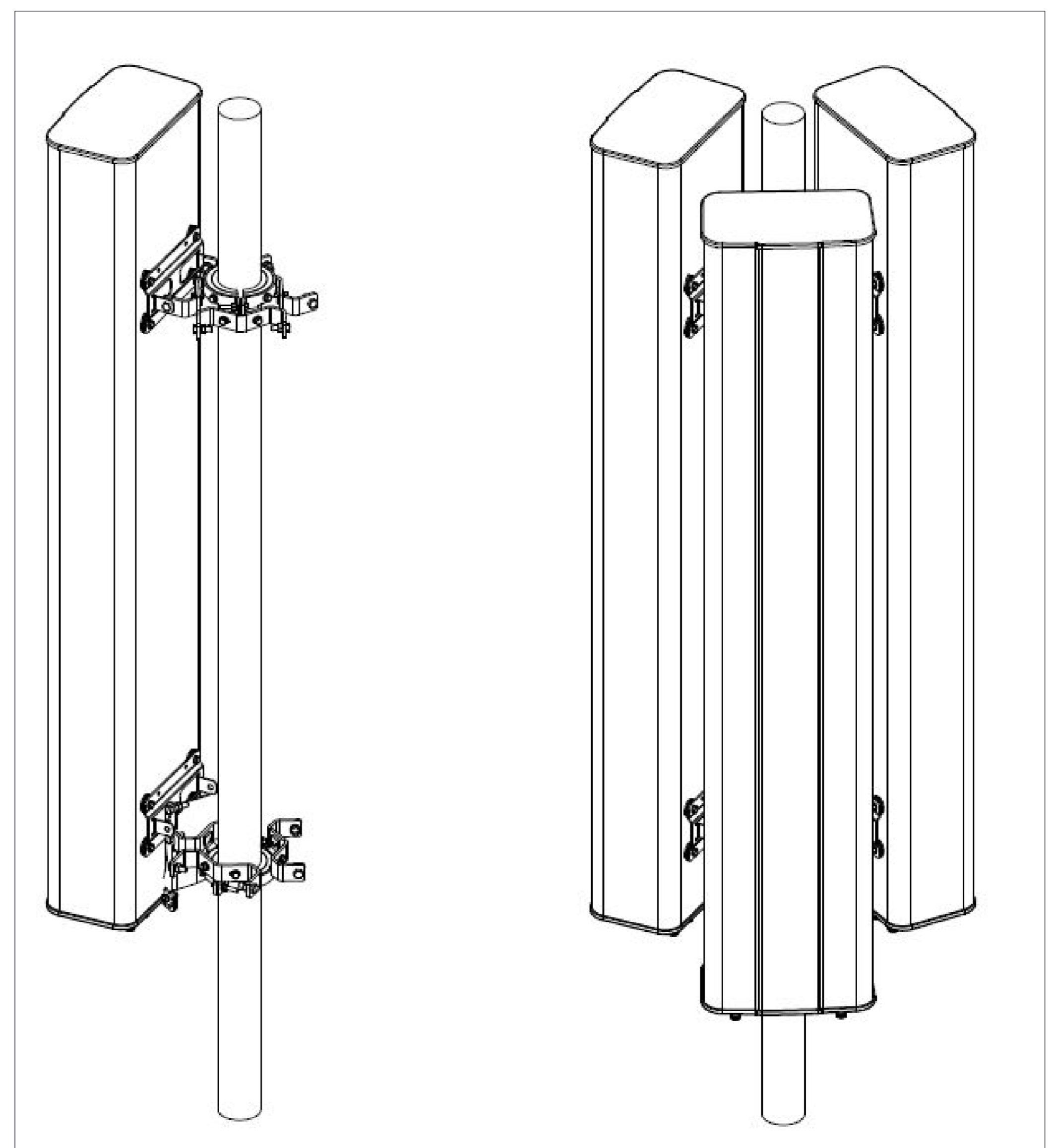


Figure 12. Uptilt Mounting.

(continued on page 6)

(Continued from page 5)

SAFETY NOTICE

The installation, maintenance, or removal of an antenna requires qualified, experienced personnel. CommScope installation instructions are written for such installation personnel. Antenna systems should be inspected once a year by qualified personnel to verify proper installation, maintenance, and condition of equipment.

CommScope disclaims any liability or responsibility for the results of improper or unsafe installation practices.

It is recommended that transmit power be turned off when the field installation is performed. Follow all applicable safety precautions as shown on this page.



Do not install near power lines. Power lines, telephone lines, and guy wires look the same. Assume any wire or line can electrocute you.



Do not install on a wet or windy day or when lightning or thunder is in the area. Do not use metal ladder.



Wear shoes with rubber soles and heels. Wear protective clothing including a long-sleeved shirt and rubber gloves.