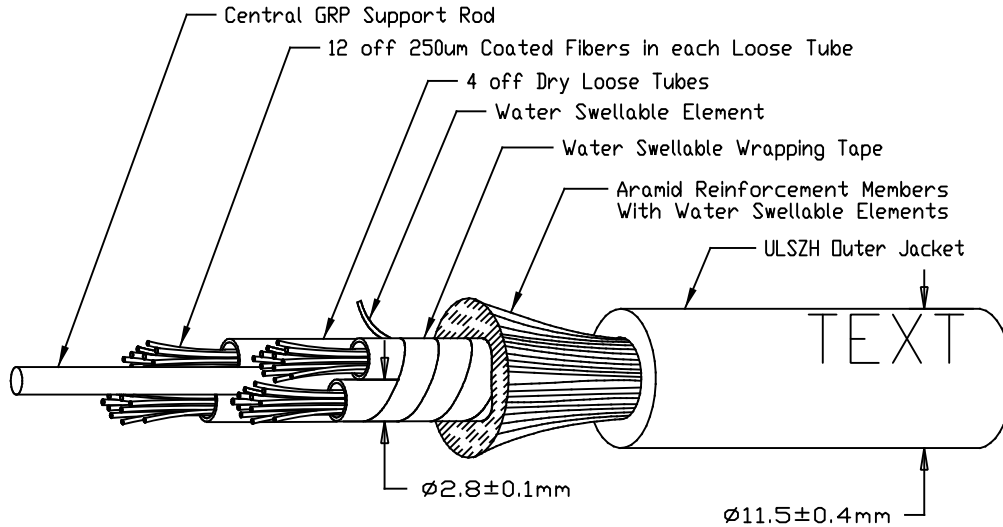


THIS DRAWING IS A CONTROLLED DOCUMENT DWG No: C-599605

LTR	REVISION RECORD	DATE	DWN	APVD
G	8000023164	19MAY17	TV	DW



- 250um Primary Coated Fibers, Colours Blue, Orange, Green, Brown, Grey, White, Red, Black, Yellow, Violet, Pink & Turquoise
- Print legend according 101-131550 Method C for fibres marked with asterix *, Other types to follow Method A

Example:
COMMSCOPE GB OPTOBEND SYSTEM F.O. CABLE X-599605-3 INT/EXT GEL LOOSE TUBE 48X 50/125 OM3 [BATCH] [Date][Length marking] (M)

- Mechanical Properties of Cable (Tested according to IEC 60794-1)

Nominal weight 125.0 kg/km
 Minimum Installation Bend Radius 230 mm
 Minimum Service Bend Radius 170 mm
 Maximum Installation Tension 1000 N
 Maximum Operating Tension 600 N
 Maximum Crush Resistance 2000 N/10 cm
 Operating Temperature Range -25 to +70°C
 Internal/External Grade
 Low Smoke Zero Halogen Material to be compliant with
 Water Absorbtion IEC 60811-1, <math>< 2\text{mg}/\text{cm}^2</math> 10days @ 70°C
 Smoke Emission IEC 61034
 Acid Gas Emission IEC 60754-1
 Toxicity NES 60713
 Fire Propagation IEC 60332-1 & 60332-3

- To meet the requirements of COMMSCOPE environmental specification CS-EPC-2001

OPTOBEND SYSTEM IN THE PRINT ONLY APPLIES TO FIBRE TYPES MARKED WITH AN ASTERIX *

Blue&Red,+2Green	yellow	0.37/025	single mode	9/125 G657A2 BI *	X-599605-8
Orange&Grey,+2Green	orange	2.50/0.70	500/500	50/125 OM2 BI *	X-599605-7
Grey&Red,+2Green	orange	2.80/0.90	200/600	62.5/125 OM1	X-599605-5
Blue&Red,+2Green	yellow	0.37/0.25	single mode	9/125 DS2	X-599605-4
Orange&Grey,+2Green	aqua	2.50/0.70	1500/500	50/125 OM3 BI *	X-599605-3
Orange&Grey,+2Green	aqua	2.50/0.70	3500/500	50/125 OM4 BI *	X-599605-2
Blue&Red,+2Green	yellow	0.37/025	single mode	9/125 G657A1 BI *	X-599605-1
Loose Tube Colour	Outer Jacket Colour	Max Cabled Fibre atten. loss db/km @ 850/1300nm for Multi mode and @ 1310/1550nm for Single mode	Bandwidth @ 850/1300nm)	Fiber Type	MID/PN

Dimensions: MM	TOLERANCES UNLESS OTHERWISE SPECIFIED: 0 PLC ± 1 PLC ±0.1 2 PLC ±0.01 3 PLC ±0.001 4 PLC ±0.0001	Drawn: T.VISSERS 19MAY17	 Commscope Connectivity Uk Ltd Kinmel Park, Bodelwyddan, Denbighshire, LL18 5TZ FO CAB I/E DLT X48 Fiber Optic Cable Int/Ext Gel Loose Tube x48			
	ANGLES: - SURFACE TEXTURE	Checked: A.YOUNG				Scale: N/A
		Approved: D.WALKER				