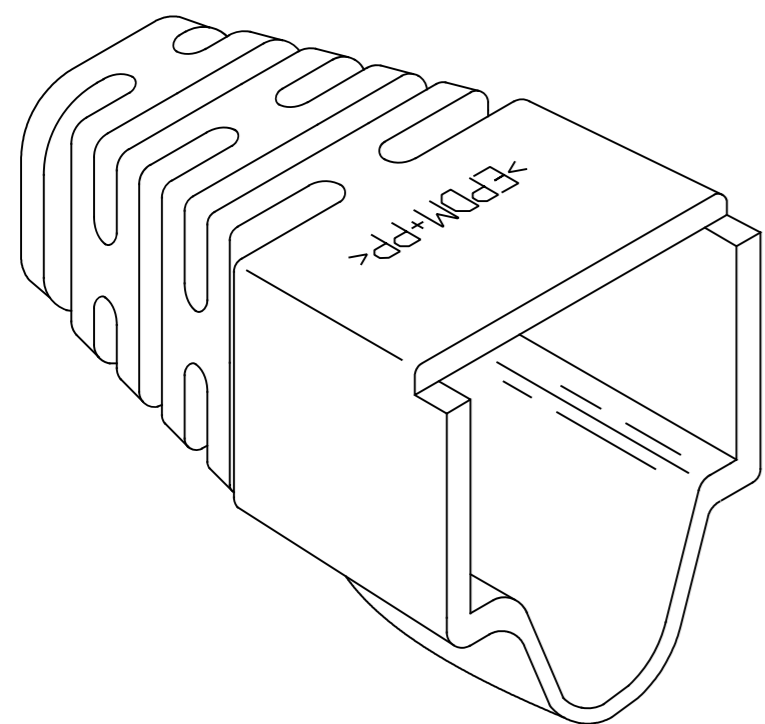


THIS DRAWING IS UNPUBLISHED. RELEASED FOR PUBLICATION

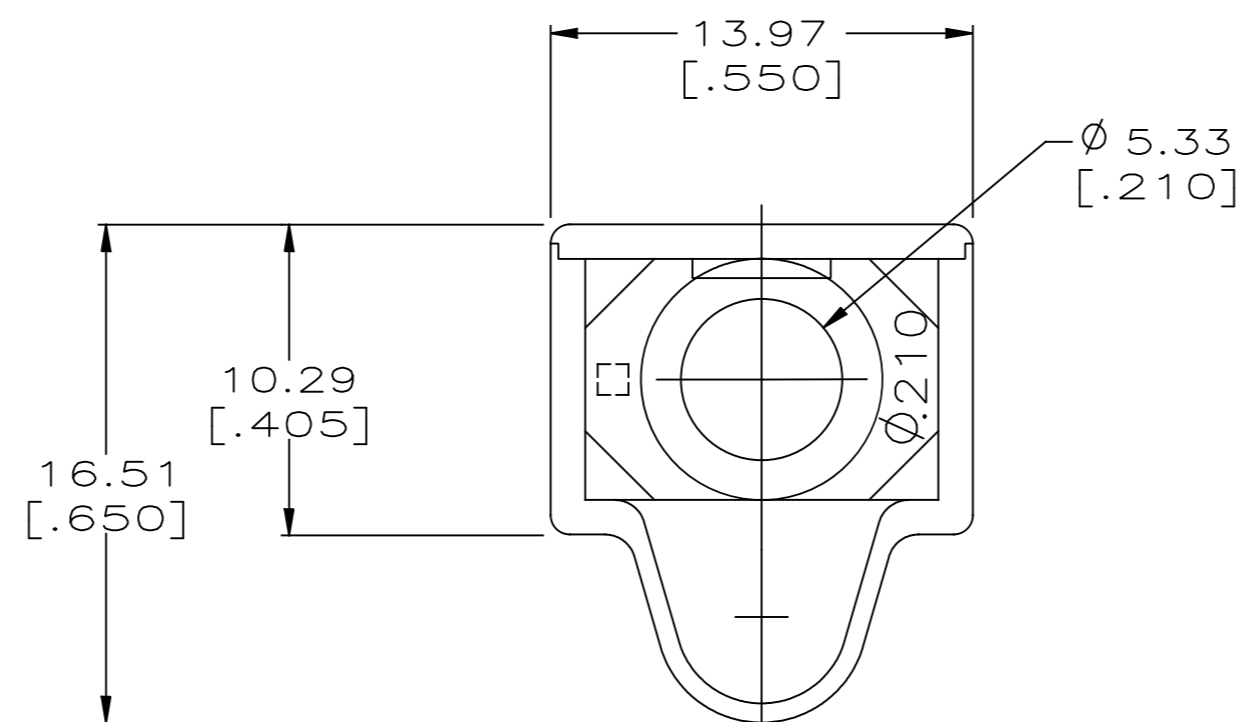
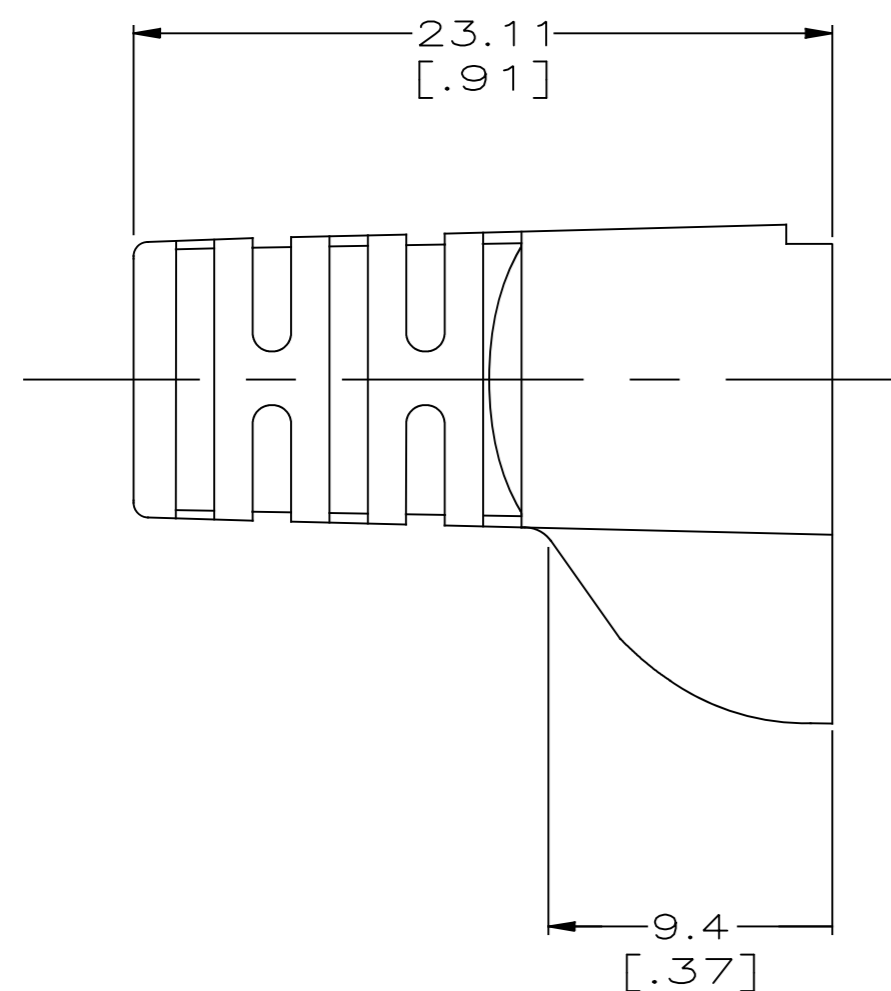
© 2016 Commscope, INC. Confidential NOTICE: These drawings and specifications are the proprietary property of COMMSCOPE, INC. and may be used only for the specific purpose authorized in writing by COMMSCOPE, INC.

REVISIONS

P	LTR	DESCRIPTION	DATE	DWN	APVD
E2		ECO-13-012375	01AUG2013	JM	JG
F		REV PER BNS_CD_BRAND	21JAN2017	GG	DC



- 1 MATERIAL: ELASTOMER POLYOLEFIN, SEE TABLE FOR COLOR.
- 2 DIMENSIONS ARE NOMINAL UNLESS OTHERWISE SPECIFIED.
- 3. BOOT DESIGNED TO FIT CABLE DIAMETER OF .210 NOMINAL.



NEMA GY	1-569875-0
VIOLET	569875-9
WHITE	569875-8
ORANGE	569875-7
YELLOW	569875-6
BLUE	569875-5
GREEN	569875-4
RED	569875-3
LT ALMOND	569875-2
BLACK	569875-1
COLOR	PART NUMBER

THIS DRAWING IS A CONTROLLED DOCUMENT.

DWN DL DRUMMOND 22 FEB 96	COMMSCOPE, INC. BOOT, HOODED, Ø.210
CHK D. AHERON 07 MAR 96	
APVD B. ANTHONY 07 MAR 96	
PRODUCT SPEC APPLICATION SPEC	
DIMENSIONS: mm[INCHES]	TOLERANCES UNLESS OTHERWISE SPECIFIED: 0 PLC ± - 1 PLC ± - 2 PLC ± - 3 PLC ± - 4 PLC ± - ANGLES ± - FINISH -
MATERIAL △	WEIGHT - CUSTOMER DRAWING
SIZE A2 CAGE CODE - DRAWING NO C=569875 RESTRICTED TO - SCALE 4:1 SHEET 1 of 1 REV F	

569875

A