

STOP!

Don't Connect Unless You Inspect!

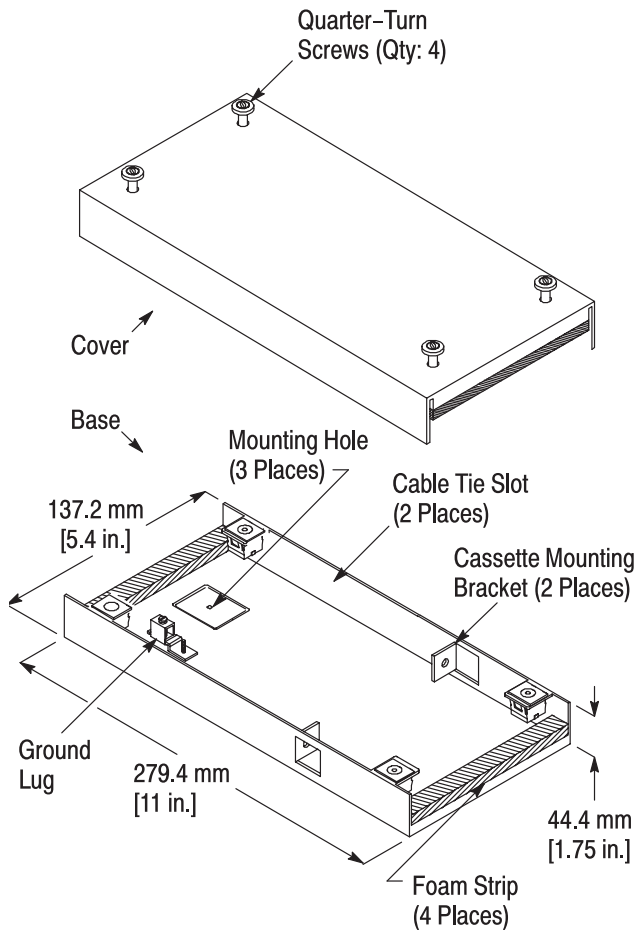


Figure 1

1. INTRODUCTION

EAZ Enclosures 1777215-1 and 1777215-2 are used to house one copper MRJ21® cassette, fiber optic adapter plate, or fiber optic cassette. The enclosure is designed to protect the cassette or adapter plate from dirt and debris.

Strain Relief Bracket 1777224-1 is available separately and can be attached to the enclosure.

Reasons for reissue of this instruction sheet are provided in Section 5, REVISION SUMMARY.



Dimensions in this instruction sheet are in metric units [with U.S. customary units in brackets]. Figures are not drawn to scale.

To obtain information on AMP NETCONNECT products, visit the **CommScope®** website at www.commscope.com.

2. DESCRIPTION (Refer to Figure 1)

The enclosure is a powder-coated aluminum two-piece container. Three mounting screws are included for securing the enclosure to the mounting surface.

The cover and base of the enclosure have a microcellular urethane foam strip at each end. The cover is secured to the base by 4 quarter-turn screws (with washers, ejector springs, and retainers). The base features a ground lug, 2 cassette mounting brackets, 2 cable tie slots, and 3 embossed feet for stability on an uneven surface.



Enclosure -1 has cross-recessed quarter-turn screws. Enclosure -2 has tamper-resistant quarter-turn screws, and includes a stud fastener tool for locking and unlocking the screws.

3. INSTALLATION

1. Mount the enclosure.

If *not* using the strain relief bracket:

Place the base on the mounting surface, drill holes into the surface using the mounting holes in the base, then install and tighten the mounting screws.

If using the strain relief bracket (refer to Figure 2):

a. Place the bracket on the mounting surface, and drill holes into the surface using the 4 mounting holes in the bracket.

b. Install and tighten the mounting screws (included with the bracket) to secure the bracket.

Mounting Enclosure Using Strain Relief Bracket

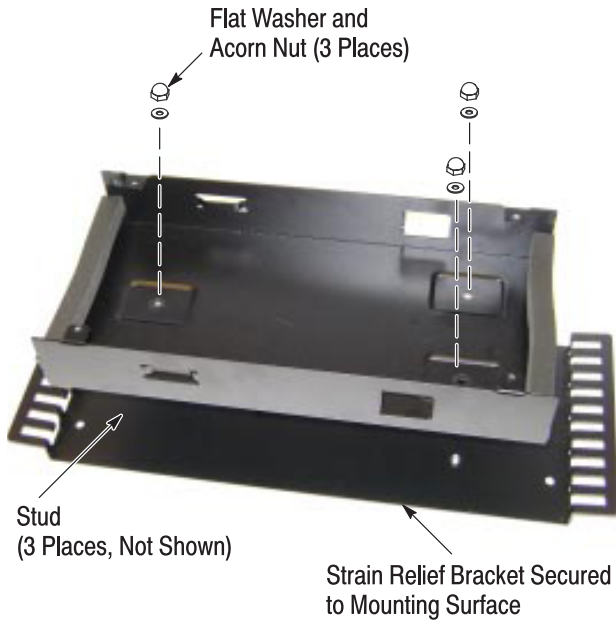


Figure 2

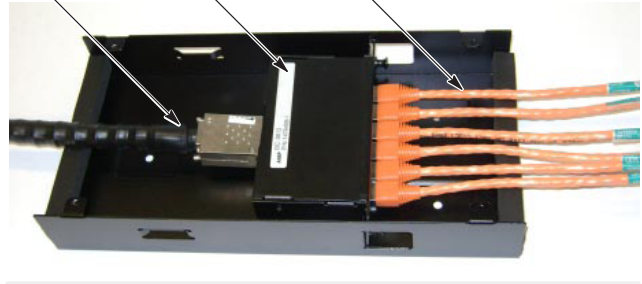
c. Place the enclosure on top of the bracket so that the mounting holes fit over the studs. Install the flat washers and acorn nuts (included with the bracket) onto the studs. Tighten the nuts.

2. Align the plungers of the cassette or adapter plate with the cassette mounting brackets and place the cassette or adapter plate into the enclosure. Push the plungers into the holes in the mounting brackets. There should be an audible click when the plungers are fully seated. Refer to Figure 3 for sample applications.

Applications

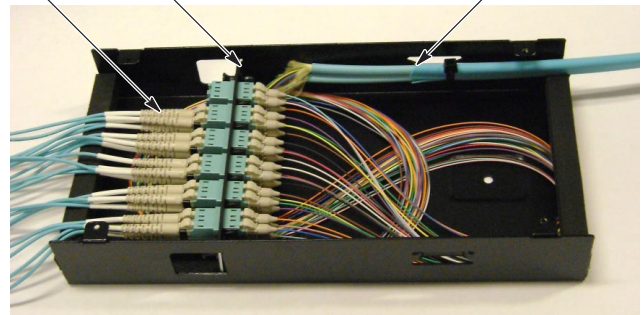
Using MRJ21 Cassette

Trunk Assembly, Cassette, Jumper Cable



Using Fiber Optic Adapter Plate

Jumper Cable, Adapter Plate, Trunk Cable (12 or 24 Fibers)



Using MPO Cassette

Trunk Assembly, Cassette, Jumper Cable

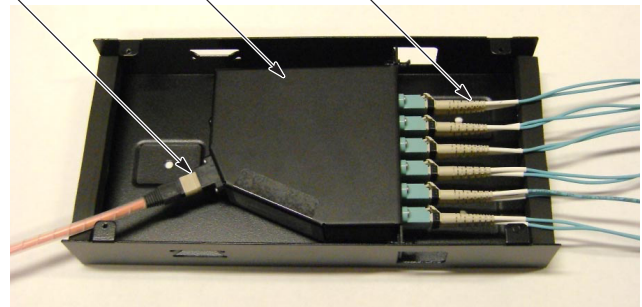


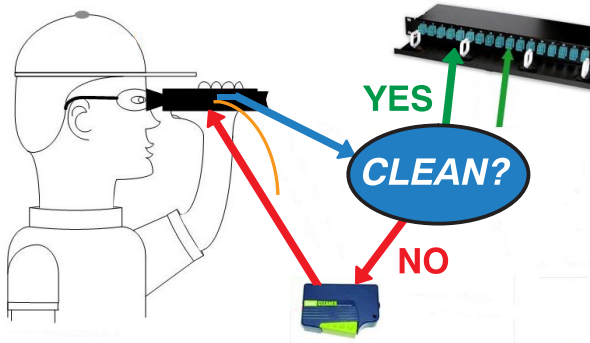
Figure 3

3. Lay the cables over the foam strips. If desired, using cable ties, secure the cable to the cable tie slots and/or if installed strain relief bracket.

4. If applicable, install the ground wire onto the ground lug.

5. Place the cover over the base as shown in Figure 1. Using the appropriate tool, tighten the quarter-turn screws.

STOP!
Don't Connect Unless You Inspect!



DANGER: Never View Active Fiber Signals

4. REPLACEMENT AND REPAIR

The enclosure is not repairable if damaged. Order additional enclosures through your representative or visit our website at www.commscope.com.

5. REVISION SUMMARY

Revisions to this instruction sheet include:

- Updated document to corporate requirements
- Changed name of enclosure
- Added strain relief bracket
- Modified Figure 1 and text to reflect new design
- Added Figures 2 and 3
- Added Stop!banner and Stop!matrix
- Rebranded to **CommScope**