

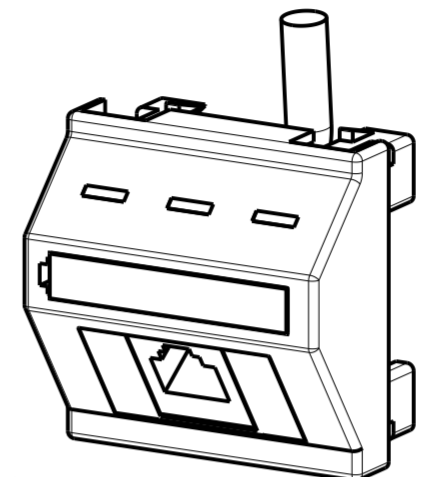
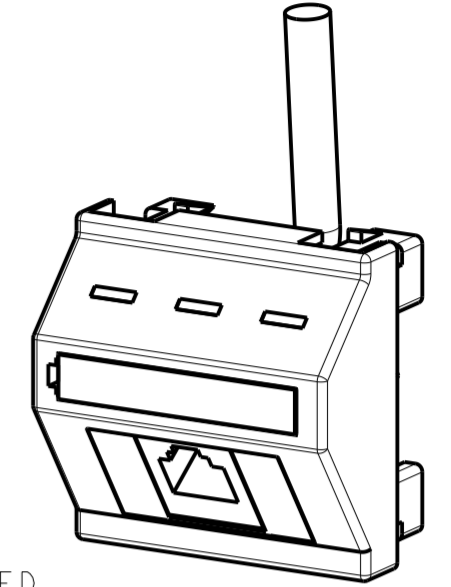
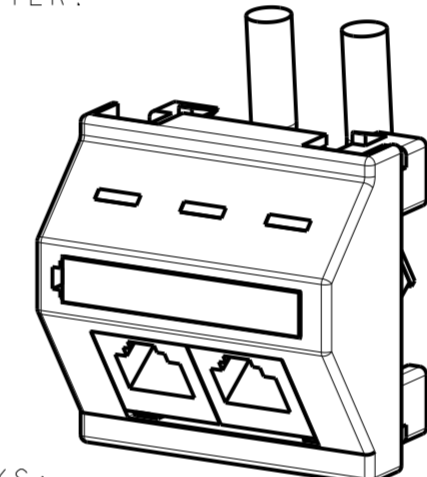
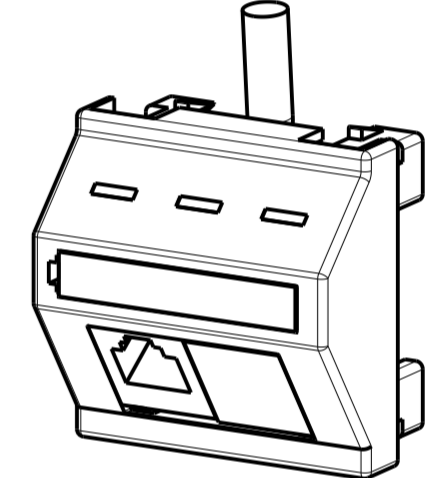
THIS DRAWING IS UNPUBLISHED. RELEASED FOR PUBLICATION
 © 2016 COMMScope, INC. CONFIDENTIAL NOTICE: THESE DRAWINGS AND SPECIFICATIONS ARE THE PROPRIETARY PROPERTY OF COMMScope, INC. AND MAY BE USED ONLY FOR THE SPECIFIC PURPOSE AUTHORIZED IN WRITING BY COMMScope, INC.

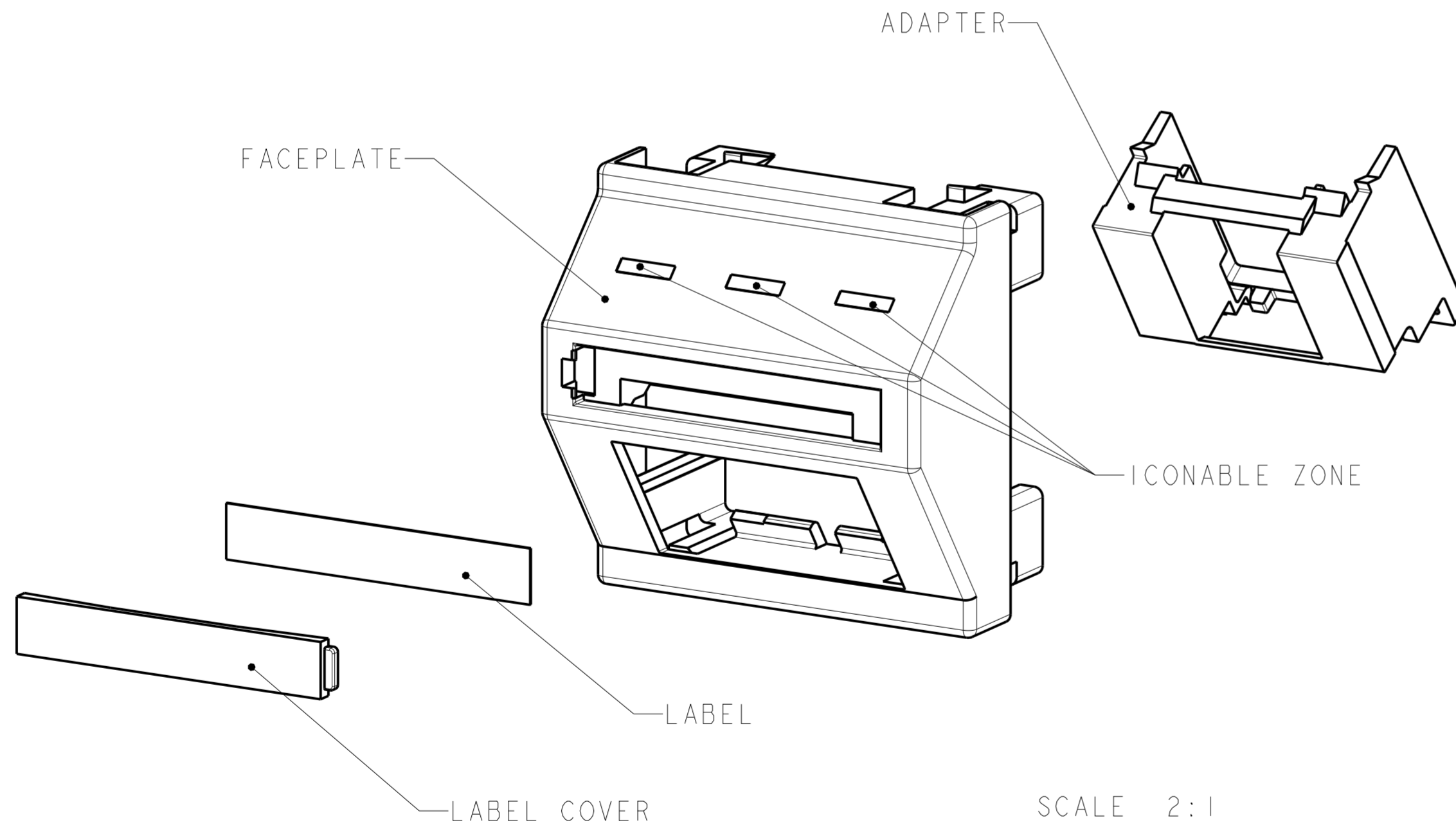
REVISIONS				
P	LTR	DESCRIPTION	DATE	APVD
A		FIRST ISSUE	12DEC2002	ACG -
B		SEE EC ESE0-0090-03	14OCT2003	ACG JS
C		REV PER BNS_CD_BRAND	02FEB2017	GG DC

1. PACKAGING UNIT:
 1 KIT PACKED INTO 1 BAG;
 AND 10 BAGS + 1 APPLICATION SPEC. PACKED INTO 1 CARTON BOX.
 ACCORDING TO PACKAGING SPEC.; 107-22048.
2. CONNECTORS AND ICONS WILL BE ORDERED SEPARATELY.
3. PRODUCT COMPATIBLE WITH LEGRAND "MOSAIC"(TM) 45x45 INSTALLATION ENVIRONMENTS.

1. UNIDAD DE EMBALAJE:
 1 CONJUNTO EMBALADO EN 1 BOLSA;
 Y 10 BOLSAS + 1 ESPECIFICACION DE APLICACION,
 EMBALADAS EN UNA CAJA DE CARTON.
 DE ACUERDO A ESPECIFICACION DE EMBALAJE AMP; 107-22048.
2. LOS CONECTORES E ICONOS NO SE SUMINISTRAN EN EL KIT.
3. PRODUCTO COMPATIBLE CON SISTEMAS LEGRAND "MOSAIC"(TM) 45x45.

APPLICATIONS: ONLY FOR REFERENCE

<p>USING ADAPTER:</p>  <p>1 SL SERIES JACK; * SHIELDED/UNSHIELDED, * WITH/WITHOUT DUST COVER</p>	<p>USING ADAPTER:</p>  <p>1 110 MODULAR JACK; * SHIELDED/UNSHIELDED.</p>
<p>NOT USING ADAPTER:</p>  <p>2 SL SERIES JACKS; * SHIELDED/UNSHIELDED, * WITH/WITHOUT DUST COVER</p>	<p>NOT USING ADAPTER:</p>  <p>SL SERIES: 1 JACK+ 1 BLANK INSERT; * SHIELDED/UNSHIELDED, * WITH/WITHOUT DUST COVER</p>



QTY.REQ.	PER KIT	COLOUR	MATERIAL	DESCRIPTION
1/10	1/10	--	--	APPLICATION SPEC.: 114-22024
1	1	TRANSPARENT	PC	LABEL COVER
1	1	WHITE	PAPER	SET OF 5 LABELS
1	--	ALMOND/RAL 1013	PC	SINGLE ADAPTER
--	1	WHITE / RAL 9010	PC	SINGLE ADAPTER
1	--	ALMOND/RAL 1013	PC	45x45 FACEPLATE
--	1	WHITE/RAL 9010	PC	45x45 FACEPLATE
-2	-1			

THIS DRAWING IS A CONTROLLED DOCUMENT.		DWN A. CARRERAS 12DEC2002	COMMScope, INC.	
		CHK A. CARRERAS 14OCT2003		
DIMENSIONS: mm		APVD J. SANABRA 14OCT2003	NAME 45x45 OUTLET, SINGLE-DUAL PORT FOR SL SERIES AND 110 JACKS	
TOLERANCES UNLESS OTHERWISE SPECIFIED: 0 PLC ± 1 PLC ± 2 PLC ± 3 PLC ± 4 PLC ± ANGLES ± FINISH		PRODUCT SPEC -	SIZE A2	RESTRICTED TO -
MATERIAL SEE TABLE		APPLICATION SPEC 114-22024	CAGE CODE C-336793	
		WEIGHT -	SCALE 1:1	SHEET OF 1
		CUSTOMER DRAWING		REV C