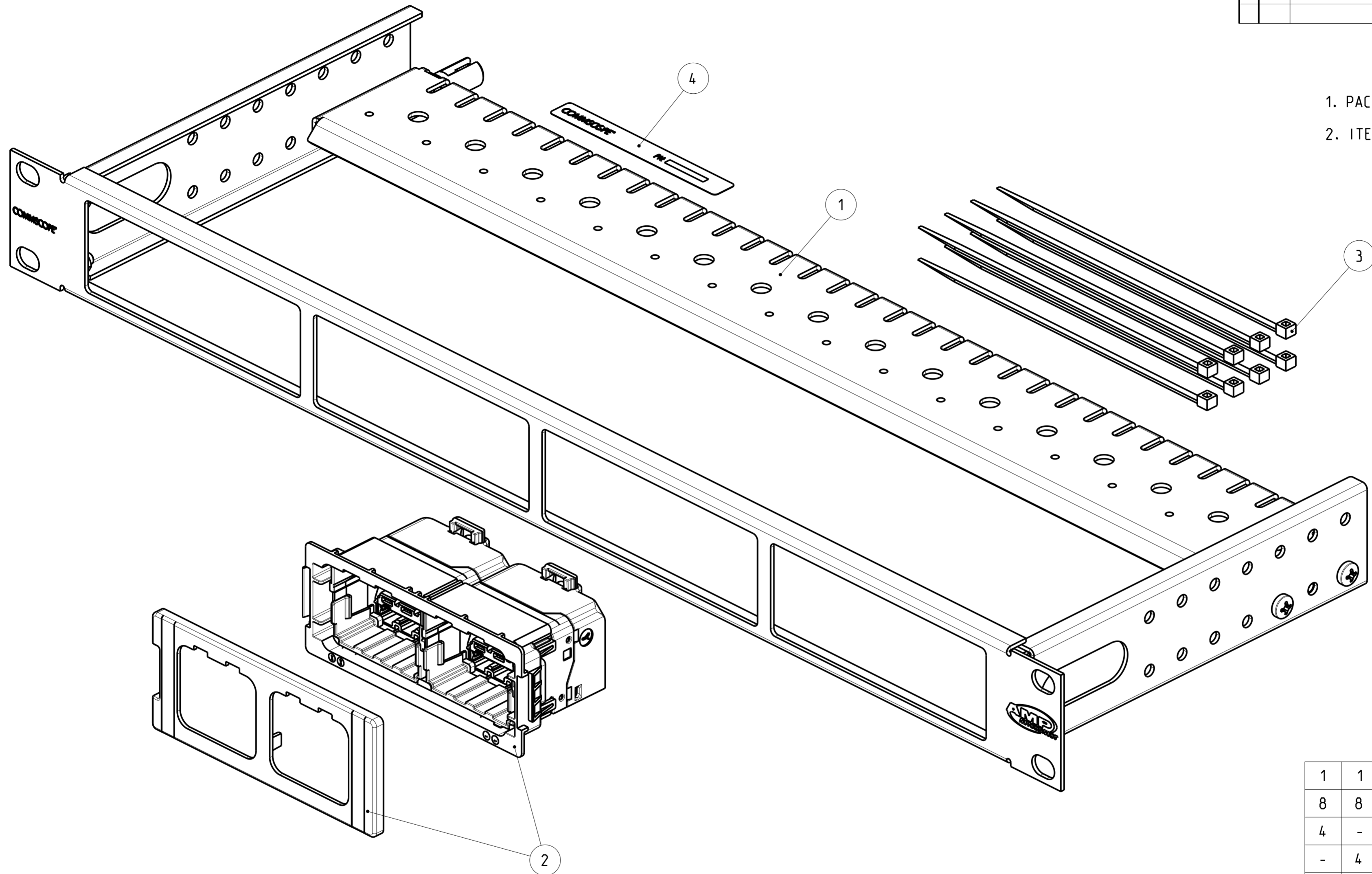


THIS DRAWING IS UNPUBLISHED  
 RELEASED FOR PUBLICATION 2013  
 © 2016 COMMSCOPE INC. CONFIDENTIAL AMP España, S.L. NOTICE: THESE DRAWINGS AND SPECIFICATIONS ARE THE PROPRIETARY PROPERTY OF COMMSCOPE, INC. AND MAY BE USED ONLY FOR THE SPECIFIC PURPOSE AUTHORIZED IN WRITING BY COMMSCOPE, INC.

REVISIONS				
P	LTR	DESCRIPTION	DATE	APVD
B1		ADDED NEW -1	26JUN2012	LC JS
C		SEE ECR-13-015498	09OCT2013	LC JS
D		REV PER ECN 8000017622	14DEC2016	GG AS



- 1. PACKAGING ACC. TO SPEC.
- 2. ITEMS SHIPPED NOT ASSEMBLED

ACCESSORY PARTS (NOT INCLUDED IN INSTALLATION KIT)	
DESCRIPTION	PART NUMBER
AMP CO INSERTS	SEE CATALOGUE
LABELS FOR AMP CO DUAL INSERTS	2-0101021-X
IDENTIFICATION ICONS	Y-0558176-X Y-0558198-X Y-0558199-X Y-0558821-X Y-1375092-X

REQUIRED TOOL FOR TERMINATION (NOT INCLUDED IN INSTALLATION KIT)	
DESCRIPTION	PART NUMBER
PISTOL-GRIP TOOL	1711500-1
ADAPTER FOR AMP CO	1711784-1
ALTERNATIVE TOOL: IMPACT TOOL	1375308-1 1583608-1

QTY	DESCRIPTION	ITEM
1	PN LABEL	4
8	CABLE TIE	3
4	AMP CO ULTRA QUICK-FIT KIT /B	2
-	AMP CO ULTRA QUICK-FIT KIT /A	
1	PATCH PANEL /B	1
-	PATCH PANEL /LG	
-3	-1	

THIS DRAWING IS A CONTROLLED DOCUMENT.		DWN L. COBACHO 31MAY2012	<b>COMMSCOPE, INC.</b>	
		CHK A. CARRERAS 31MAY2012		
		APVD J. SANABRA 31MAY2012	NAME AMP CO ULTRA QUICK-FIT 8 PORT PATCH PANEL	
DIMENSIONS: mm		PRODUCT SPEC 108-93037	SIZE A2	
TOLERANCES UNLESS OTHERWISE SPECIFIED: 0 PLC ± 1 PLC ± 2 PLC ± 3 PLC ± 4 PLC ± ANGLES ± FINISH		APPLICATION SPEC 114-93024	CAGE CODE -	
MATERIAL -		WEIGHT -	DRAWING NO C-2153112	
		Customer Drawing		RESTRICTED TO -
		SCALE 1:1		SHEET 1 OF 1
				REV D