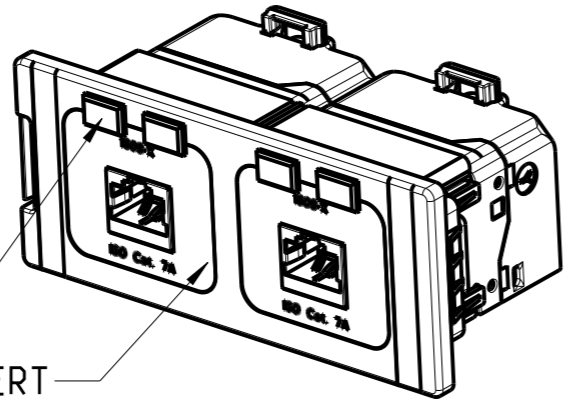


THIS DRAWING IS UNPUBLISHED. RELEASED FOR PUBLICATION
 © 2016 COMMSCOPE, INC. CONFIDENTIAL NOTICE: THESE DRAWINGS AND SPECIFICATIONS ARE THE PROPRIETARY PROPERTY OF COMMSCOPE, INC. AND MAY BE USED ONLY FOR THE SPECIFIC PURPOSE AUTHORIZED IN WRITING BY COMMSCOPE, INC.

REVISIONS					
P	LTR	DESCRIPTION	DATE	DWN	APVD
	A	FIRST ISSUE	13MAY2011	ACG	AP
	A1	RELEASED	28SEP2011	ACG	RM
	A2	NEW -2 ADDED	26JUN2012	LC	JS
	B	REV PER BNS_CD_BRAND	03FEB2017	GG	DC

DETAILED VIEW. FOR REFERENCE ONLY (AFTER ASSEMBLY INSTALLATION)



THIS VIEW IS SHOWING SOME ACCESSORY PARTS WHICH ARE NOT INCLUDED IN THE KIT

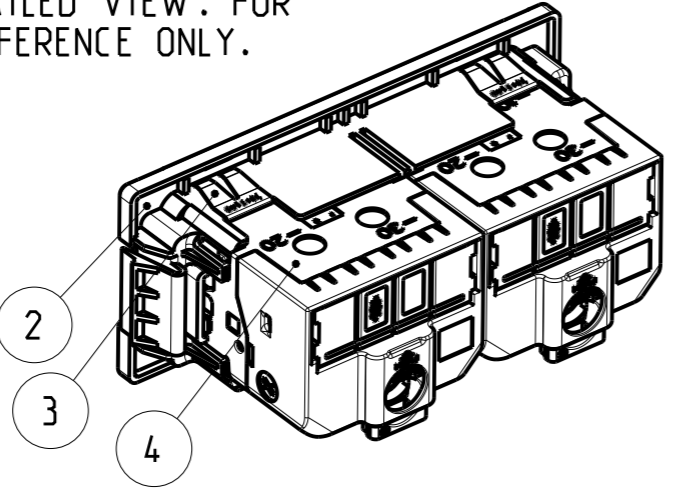
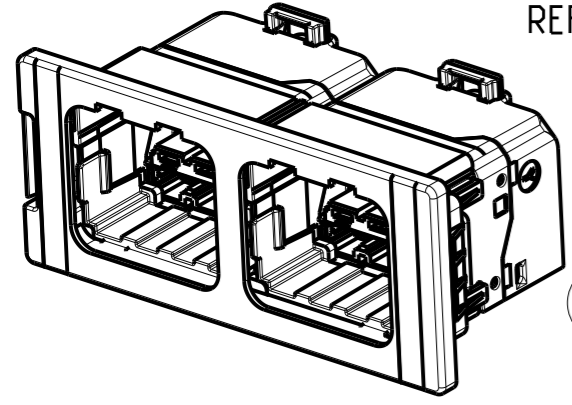
ICONS
INSERT

1. PACKAGING UNIT: ACCORDING TO PACKAGING SPEC. 107-109032

2. ITEMS 2, 3 & 4 SHIPPED ASSEMBLED TO ENSURE RIGHT LOCATION FOR 2, 3 & 4 IS A MUST OTHER ITEMS NOT ASSEMBLED (AS SHOWN ON EXPLODED VIEW)

4 ACCESSORY PARTS:
 > NOT INCLUDED IN QUICK-FIT BODY KIT
 > TO BE ORDERED SEPARATELY

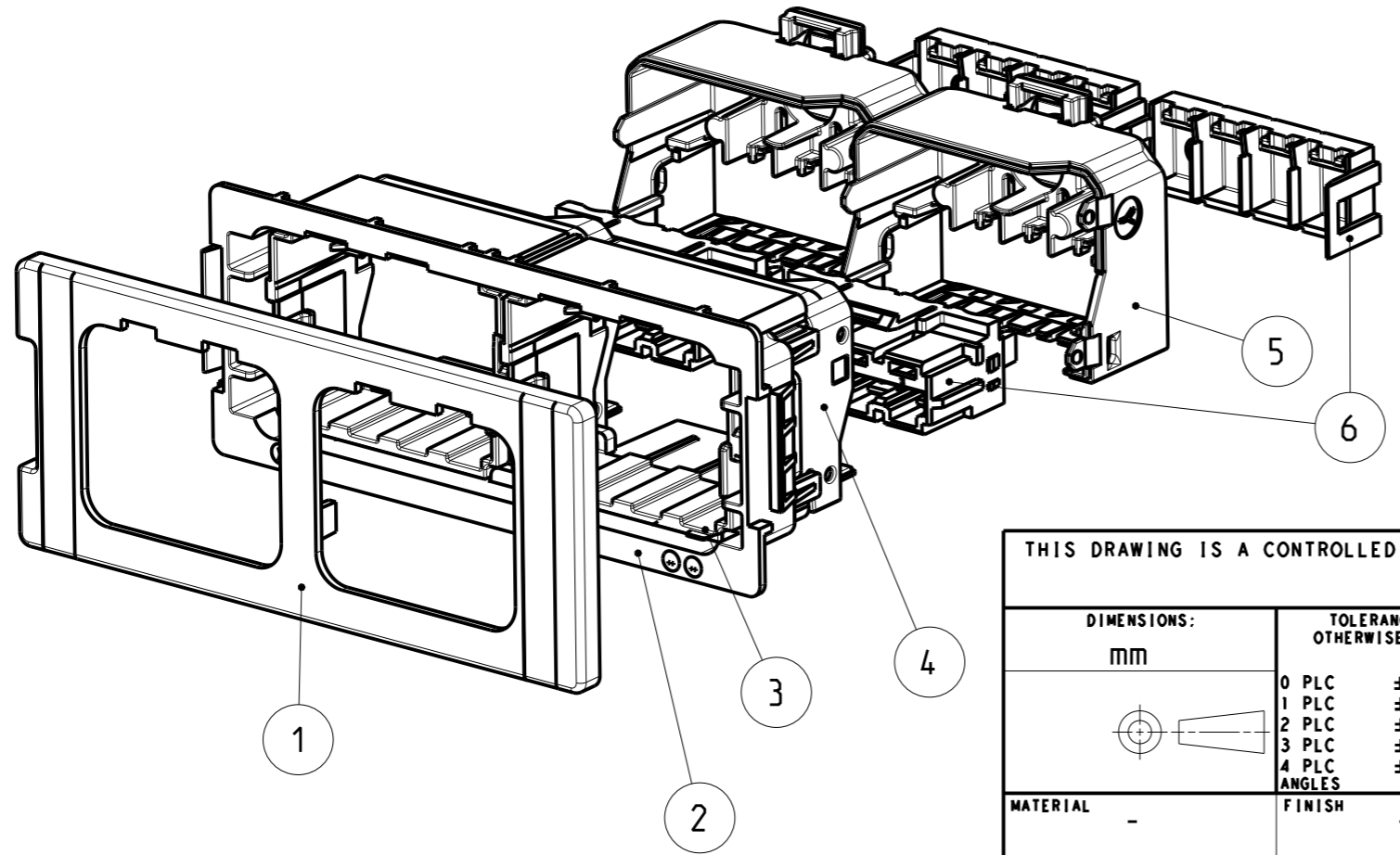
DETAILED VIEW. FOR REFERENCE ONLY.



3. REQUIRED TOOL FOR TERMINATION (NOT INCLUDED IN KIT):

DESCRIPTION	PART NUMBER
PISTOL GRIP TOOL	1711500-1
ADAPTER FOR AMP CO ULTRA	1711784-1
ALTERNATIVE TOOL: IMPACT TOOL	1375308-1 1583608-1

DESCRIPTION	PART NUMBER
AMP CO PLUS INSERTS	SEE CATALOGUE
LABELS FOR QUICK-FIT COVER	--
IDENTIFICATION ICONS	Y-0558176-X Y-0558198-X Y-0558199-X Y-0558821-X Y-1375092-X



QTY	DESCRIPTION	ITEM
1	1 APPLICATION SPEC.: 114-93024 (NOT SHOWN)	7
2	2 SHIELDED EDGE CONNECTOR	6
2	2 BACK AMP CO HOUSING	5
2	2 FRONT AMP CO HOUSING	4
2	2 GROUNDING SPRING CLIP	3
1	1 QUICK-FIT BODY	2
1	- QUICK-FIT COVER /Almond	1
-	1 QUICK-FIT COVER /Black	

THIS DRAWING IS A CONTROLLED DOCUMENT.		DWN A. CARRERAS 13MAY2011	<h1>COMMSCOPE, INC.</h1> <p>AMP CO Ultra Quick-Fit Kit</p>											
DIMENSIONS: mm		CHK L. de DIOS 16MAY2011												
TOLERANCES UNLESS OTHERWISE SPECIFIED:		APVD J. SANABRA 28SEP2011												
<table border="1"> <tr><td>0 PLC</td><td>±</td></tr> <tr><td>1 PLC</td><td>±</td></tr> <tr><td>2 PLC</td><td>±</td></tr> <tr><td>3 PLC</td><td>±</td></tr> <tr><td>4 PLC</td><td>±</td></tr> <tr><td>ANGLES</td><td>±</td></tr> </table>		0 PLC				±	1 PLC	±	2 PLC	±	3 PLC	±	4 PLC	±
0 PLC	±													
1 PLC	±													
2 PLC	±													
3 PLC	±													
4 PLC	±													
ANGLES	±													
MATERIAL	FINISH	APPLICATION SPEC 114-93024	NAME	SIZE	CAGE CODE									
-	-	WEIGHT	AMP CO Ultra Quick-Fit Kit	A3	-									
CUSTOMER DRAWING			DRAWING NO	RESTRICTED TO										
			C-2153014	-										
			SCALE 1:1	SHEET 1 OF 1	REV B									