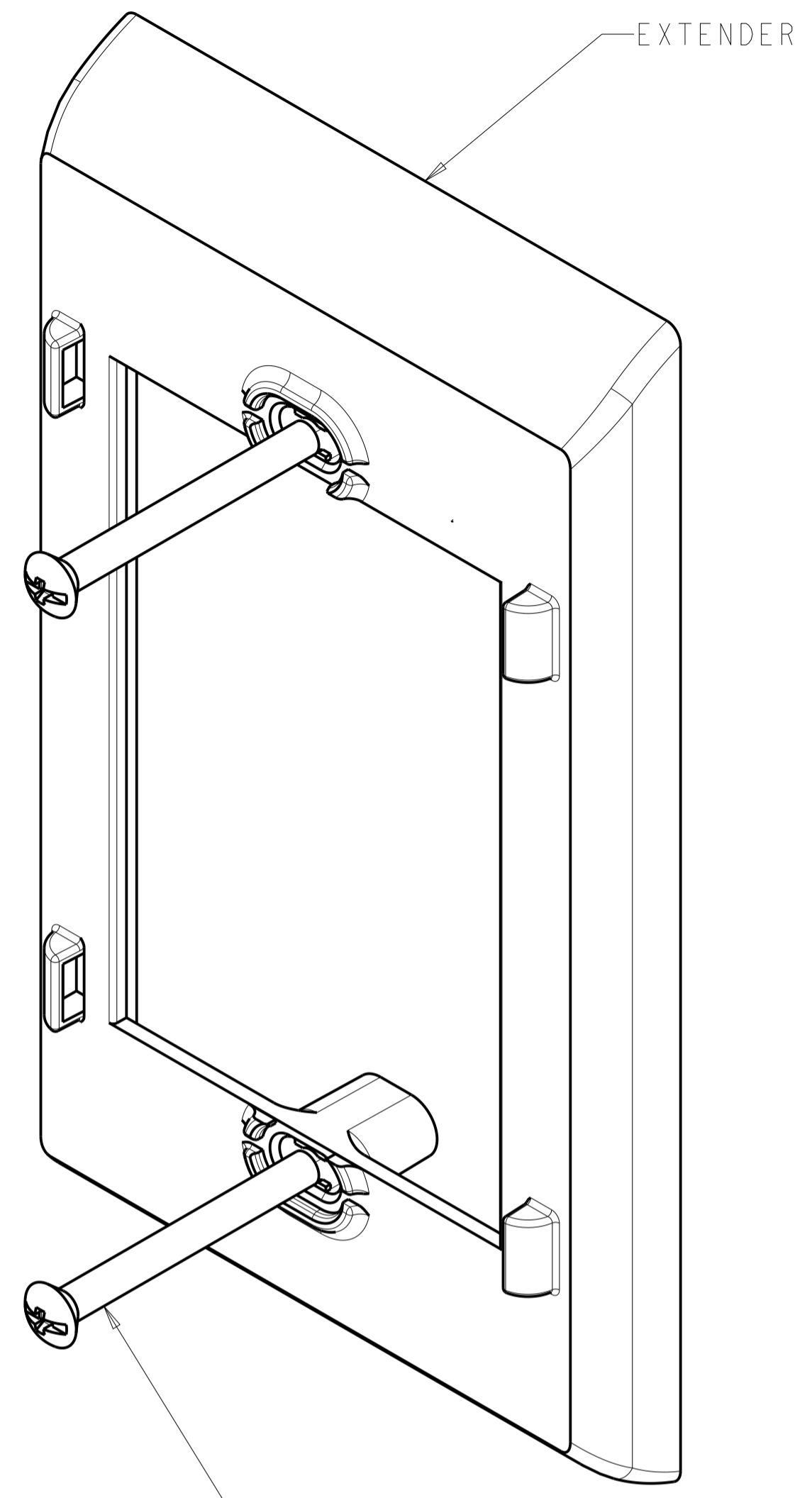


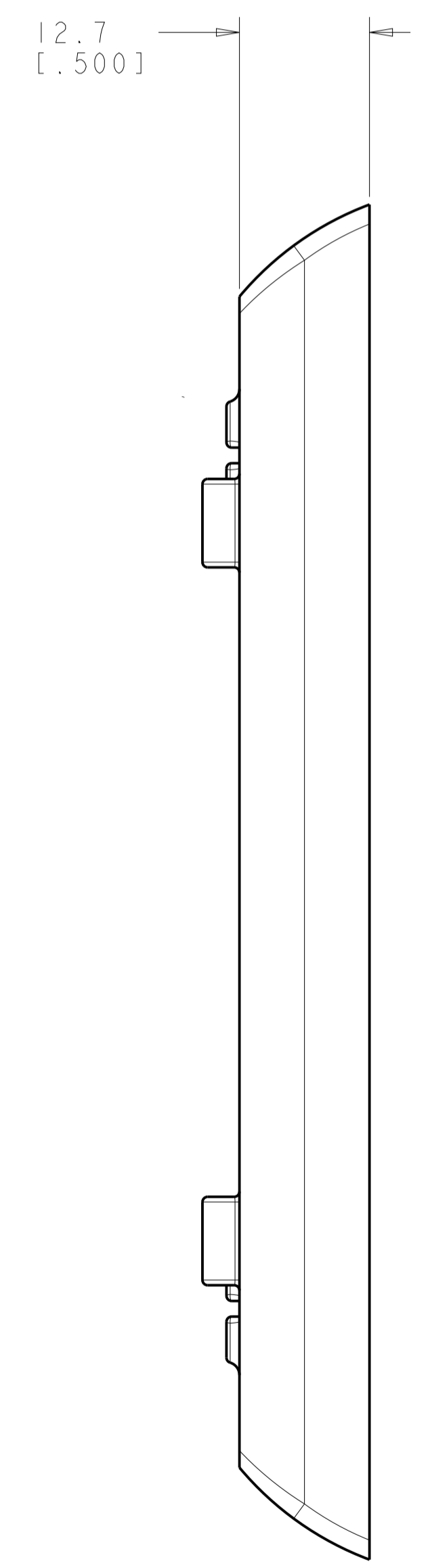
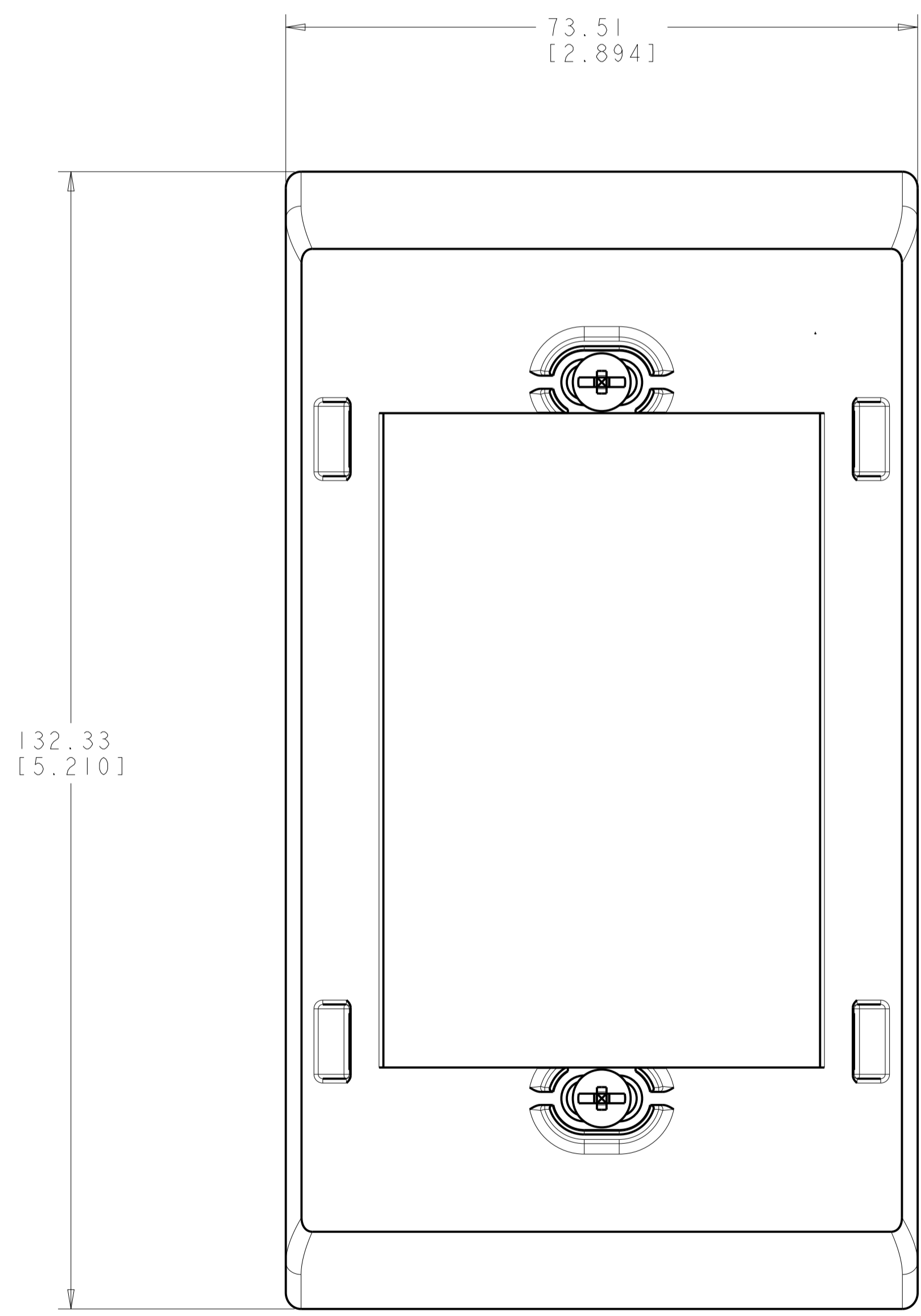
REVISIONS				
P.	LTN	DESCRIPTION	DATE	APP'D
A		RLSD; ECO-10-016224	05AUG2010	GG RA
B		REV; 40028766MCO	25FEB2016	GG LS
C		REV PER BNS_CD_BRAND	01FEB2017	GG DC



EXTENDER

6-32X1.25 OVAL HEAD SCREW
 QUANTITY 2

- 1. DIMENSIONS ARE NOMINAL UNLESS OTHERWISE SPECIFIED.
- 2. MATERIAL:
 FACEPLATE - POLYCARBONATE MOLDING COMPOUND.
 SEE TABLE FOR COLORS.
 SCREWS - ZINC PLATED CARBON STEEL.
- 3. THIS KIT SHIPPED NOT ASSEMBLED.



ALPINE WHITE	1-2111201-3
LIGHT ALMOND	2111201-1
COLOR	PART NUMBER

THIS DRAWING IS A CONTROLLED DOCUMENT.		DWN G. GARRETT 13NOV2009	COMMSCOPE, INC.	
DIMENSIONS: MM [INCHES]		CHK R. ASHBY 13NOV2009	NAME KIT, FACEPLATE EXTENDER	
TOLERANCES UNLESS OTHERWISE SPECIFIED:		APP'D P. ASHBY 13NOV2009	PRODUCT SPEC	
0 PLC	±	APPLICATION SPEC		
1 PLC	±	SIZE CAGE CODE DRAWING NO		
2 PLC	±	RESTRICTED TO		
3 PLC	±	A1 C=2111201		
4 PLC	±	SCALE 2:1 SHEET 1 OF 1 REV C		
ANGLES	±	CUSTOMER DRAWING		
MATERIAL	±	WEIGHT		
FINISH	±	SCALE 2:1 SHEET 1 OF 1 REV C		