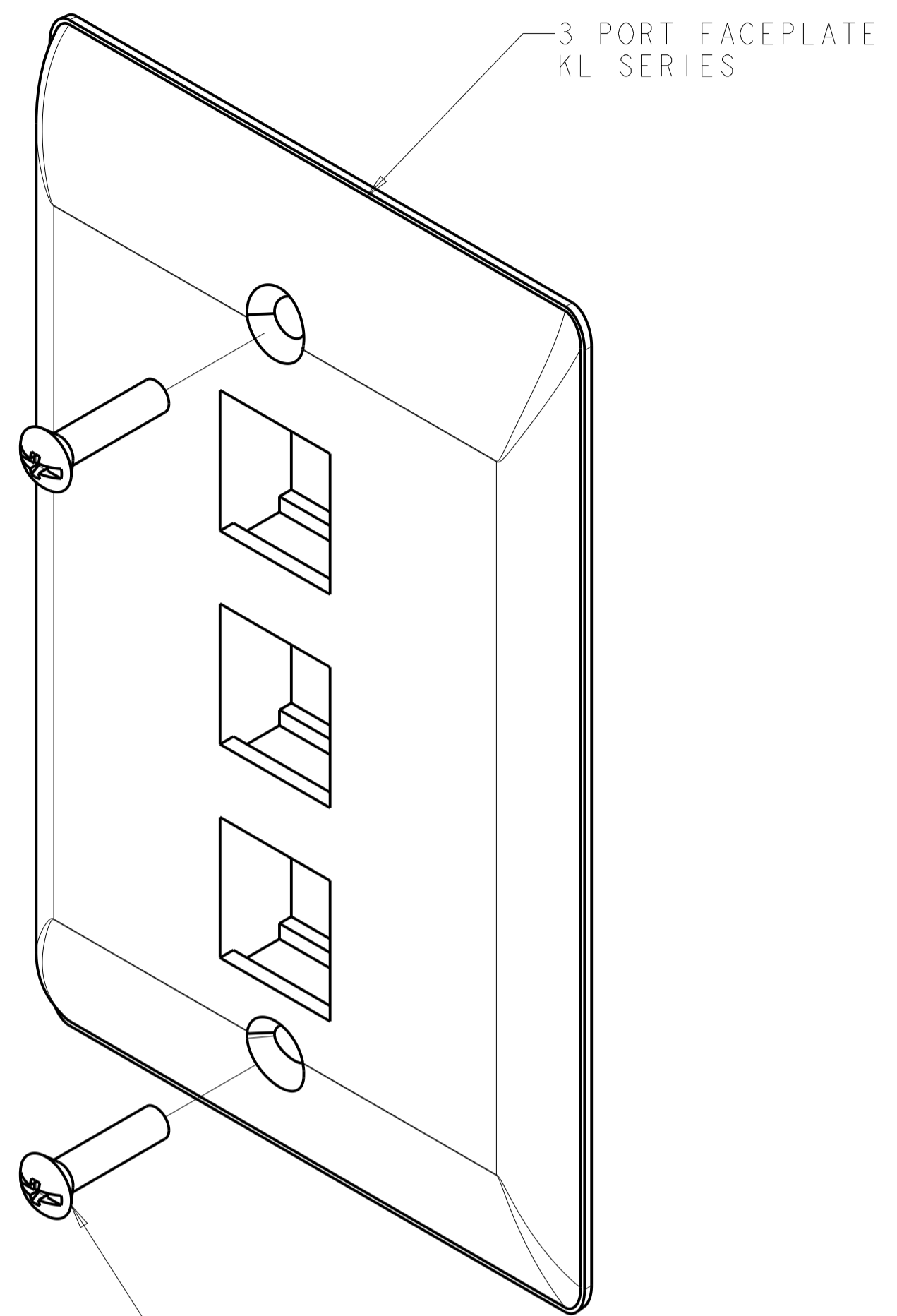
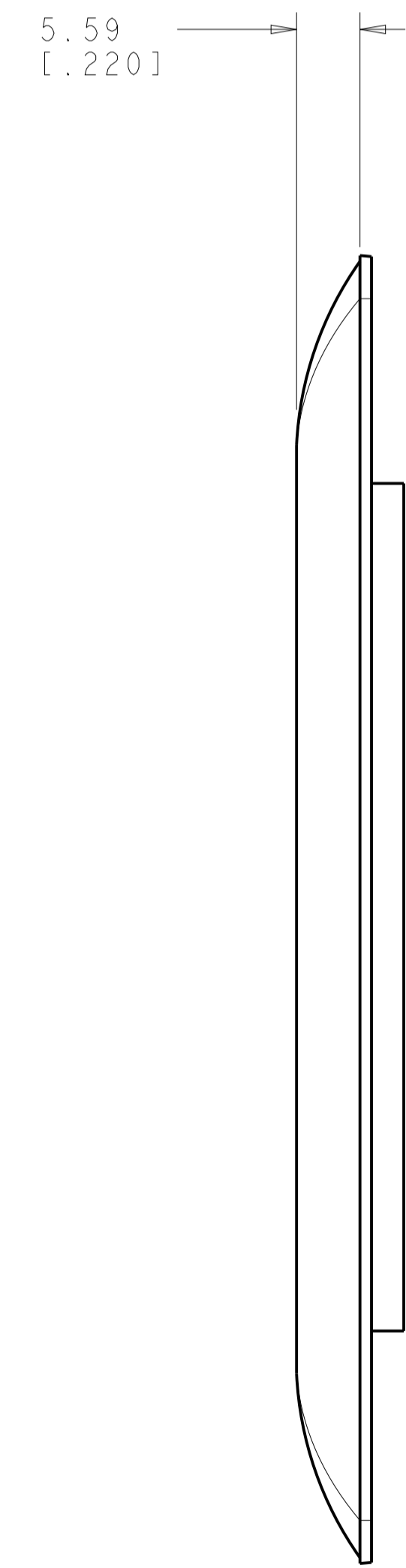
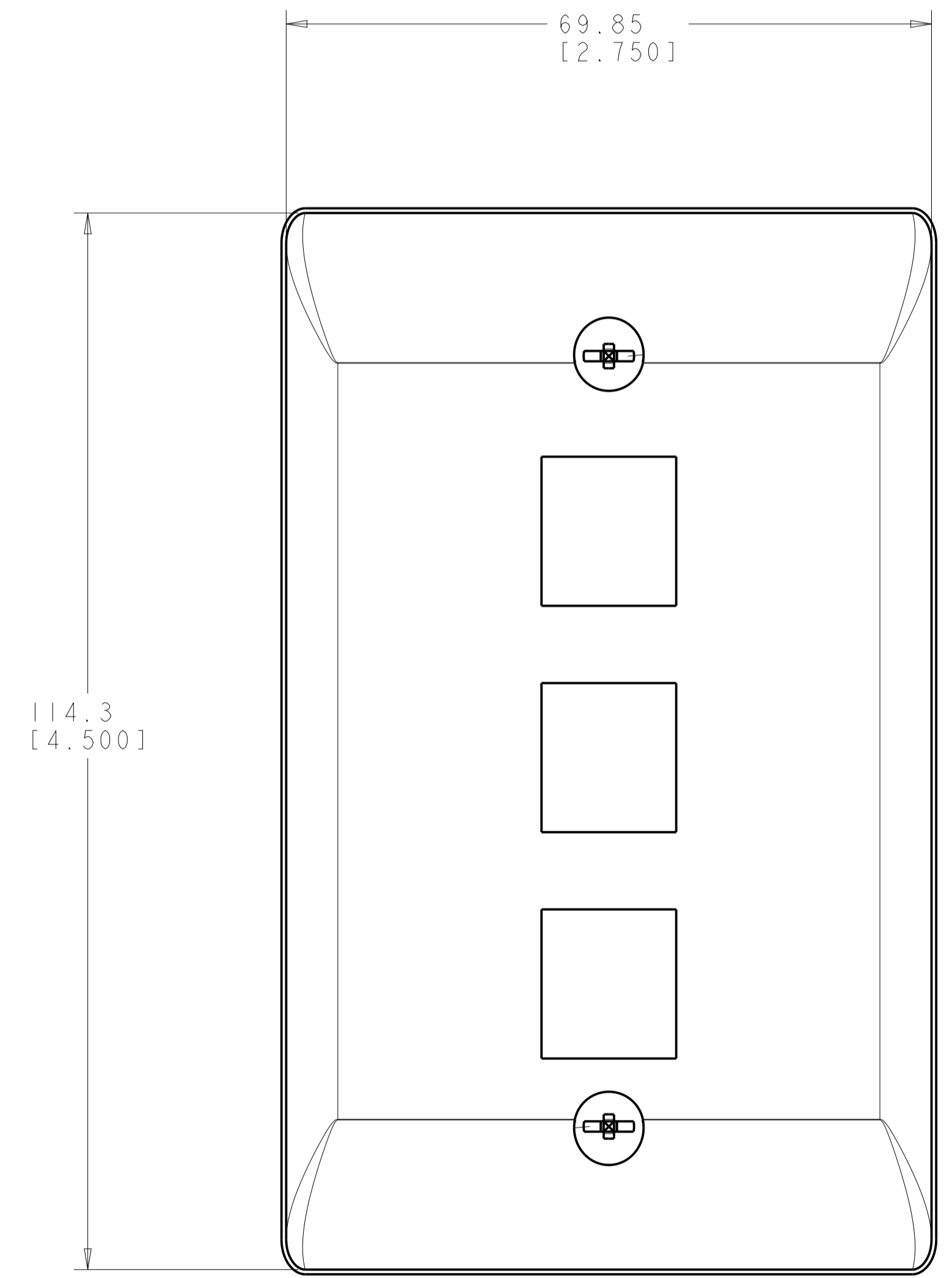


REVISIONS				
REV	LTN	DESCRIPTION	DATE	APP'D
A		RLSD; ECO-10-003803	09FEB2010	GG RA
B		REV; ECO-10-005392	10MAR2010	GG RA
C		REV PER BNS_CD_BRAND	01FEB2017	GG DC



6-32X.88 OVAL HEAD SCREW
QUANTITY 2



- ⚠ DIMENSIONS ARE NOMINAL UNLESS OTHERWISE SPECIFIED.
- ⚠ MATERIAL:
FACEPLATE - POLYCARBONATE MOLDING COMPOUND.
SEE TABLE FOR COLORS.
SCREWS - ZINC PLATED CARBON STEEL.
- 3. THIS KIT SHIPPED NOT ASSEMBLED.

ALPINE WHITE	1-2111051-3
ELECTRIC IVORY	1-2111051-1
NEMA GRAY	2111051-4
WHITE	2111051-3
BLACK	2111051-2
LIGHT ALMOND	2111051-1
COLOR	PART NUMBER

THIS DRAWING IS A CONTROLLED DOCUMENT.		DWN G. GARRETT 31MAR2009	COMMSCOPE, INC.	
DIMENSIONS: MM [INCHES]		CHK R. ASHBY 31MAR2009	NAME KIT, FACEPLATE, RESIDENTIAL, SINGLE GANG, 3 PORT, KL SERIES	
TOLERANCES UNLESS OTHERWISE SPECIFIED:		APP'D P. ASHBY 31MAR2009	RESTRICTED TO	
0 PLC ±	1 PLC ±	PRODUCT SPEC	SIZE CAGE CODE DRAWING NO	
2 PLC ±	3 PLC ±	APPLICATION SPEC	A1 C=2111051	
4 PLC ±	ANGLES ±	WEIGHT	SCALE 2:1 SHEET 1 OF 1 REV C	
MATERIAL	FINISH	CUSTOMER DRAWING		