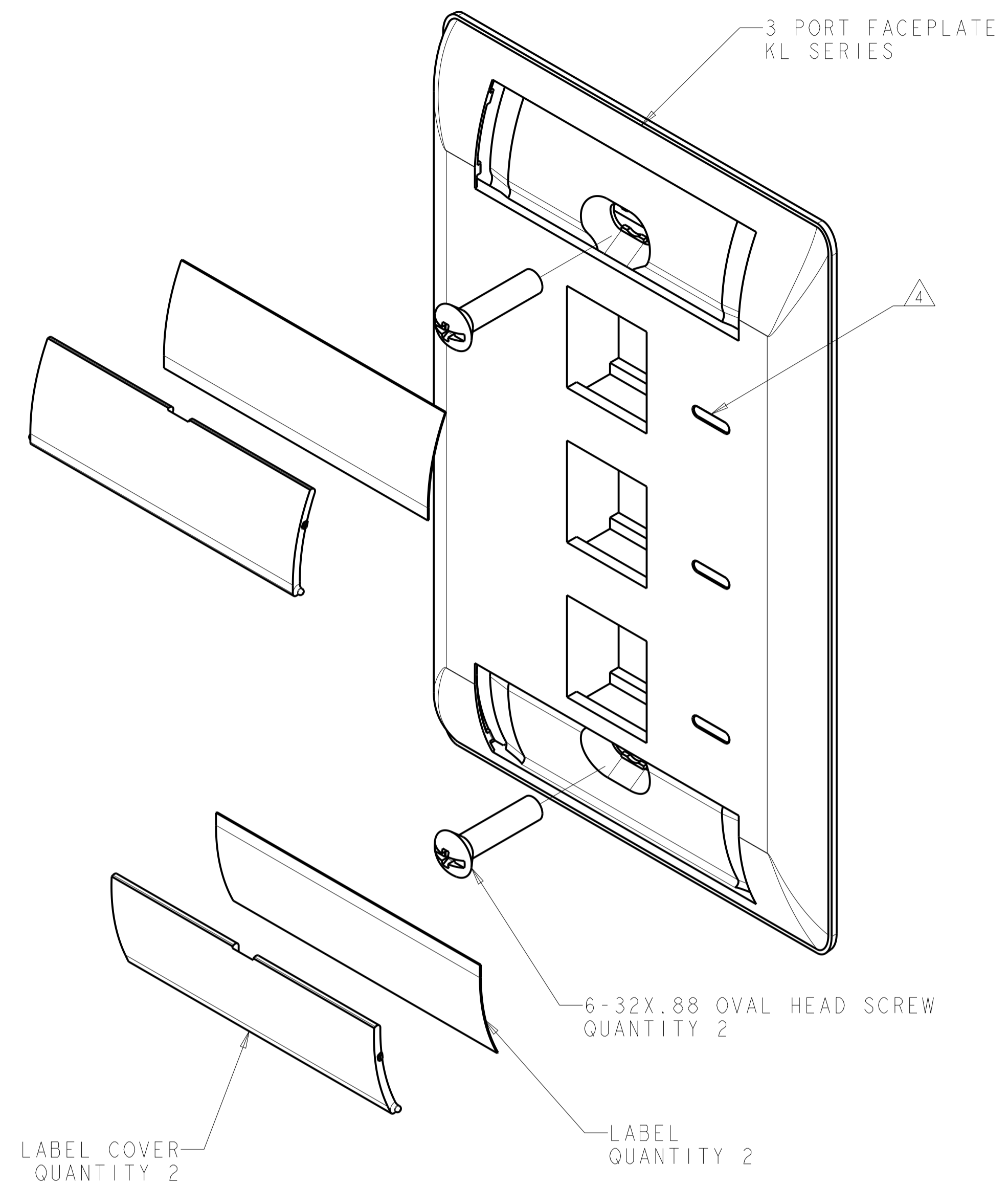
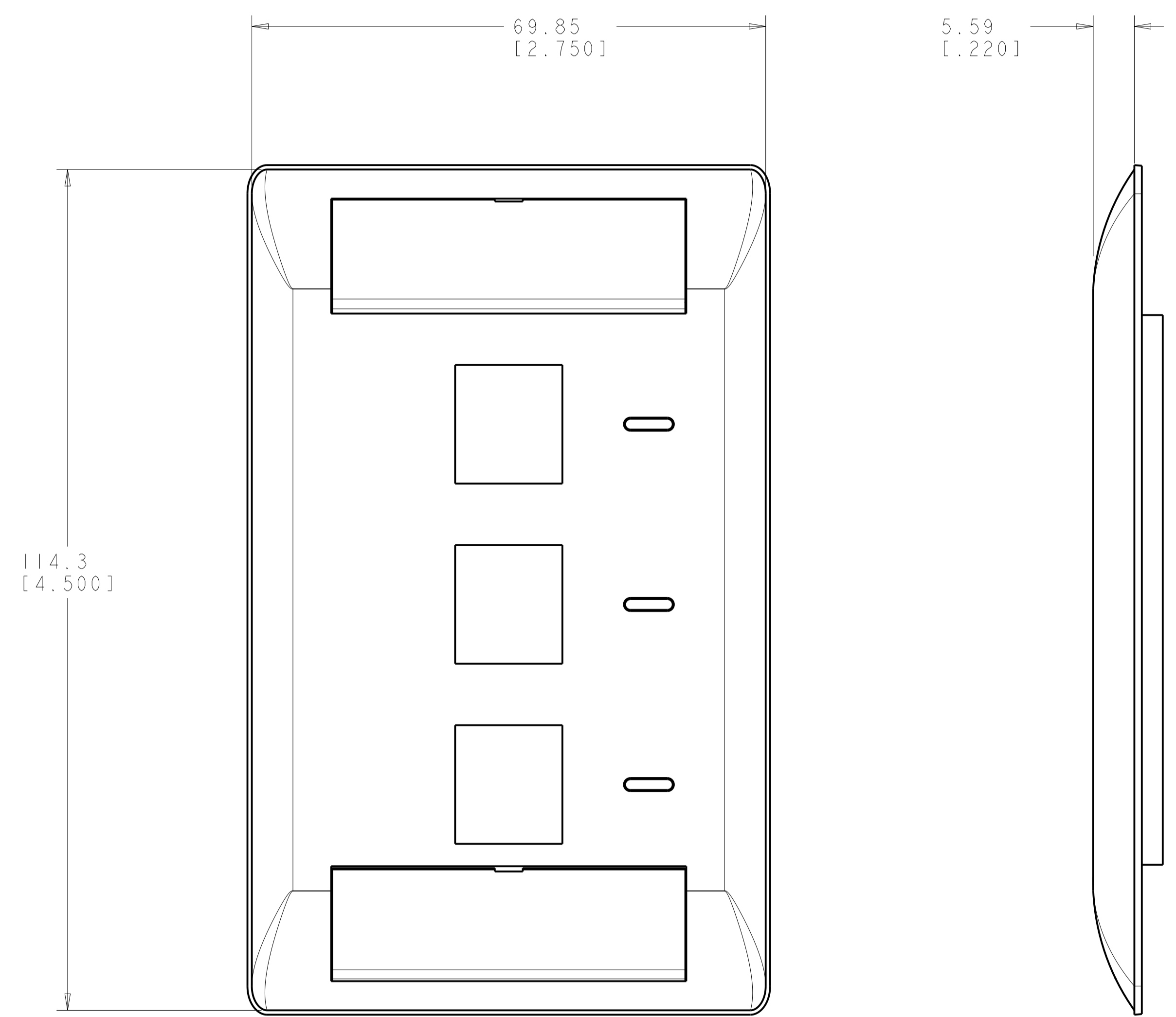


REVISIONS				
REV	LTN	DESCRIPTION	DATE	APP'D
A		RLSD; ECO-10-003803	09FEB2010	GG RA
B		REV; ECO-10-005392	10MAR2010	GG RA
C		REV PER BNS_CD_BRAND	01FEB2017	GG DC



- ⚠ DIMENSIONS ARE NOMINAL UNLESS OTHERWISE SPECIFIED.
- ⚠ MATERIAL:  
FACEPLATE - POLYCARBONATE MOLDING COMPOUND. SEE TABLE FOR COLORS..  
SCREWS - ZINC PLATED CARBON STEEL.  
LABEL COVER - POLYCARBONATE MOLDING COMPOUND, CLEAR.  
LABEL - WHITE INDEX PAPER.
- 3. THIS KIT SHIPPED NOT ASSEMBLED.
- ⚠ MOLD OVER ICON FEATURE.



ALPINE WHITE	1-2111038-3
ELECTRIC IVORY	1-2111038-1
NEMA GRAY	2111038-4
WHITE	2111038-3
BLACK	2111038-2
LIGHT ALMOND	2111038-1
COLOR	PART NUMBER

THIS DRAWING IS A CONTROLLED DOCUMENT.		OWN: G. GARRETT 31MAR2009	COMMSCOPE, INC.	
DIMENSIONS: MM [INCHES]		CHK: R. ASHBY 31MAR2009	KIT, FACEPLATE, COMMERCIAL, SINGLE GANG, 3 PORT, KL SERIES	
TOLERANCES UNLESS OTHERWISE SPECIFIED:		APP'D: R. ASHBY 31MAR2009	NAME	
0 PLC ±	⚠	PRODUCT SPEC	-	
1 PLC ±	⚠	APPLICATION SPEC	-	
2 PLC ±	⚠	WEIGHT	-	
3 PLC ±	⚠	SIZE	A1	
4 PLC ±	⚠	CAGE CODE	C=2111038	
ANGLES ±	⚠	DRAWING NO	-	
MATERIAL	⚠	RESTRICTED TO	-	
FINISH	⚠	SCALE	2:1	
CUSTOMER DRAWING		SHEET	1 OF 1	
		REV	C	