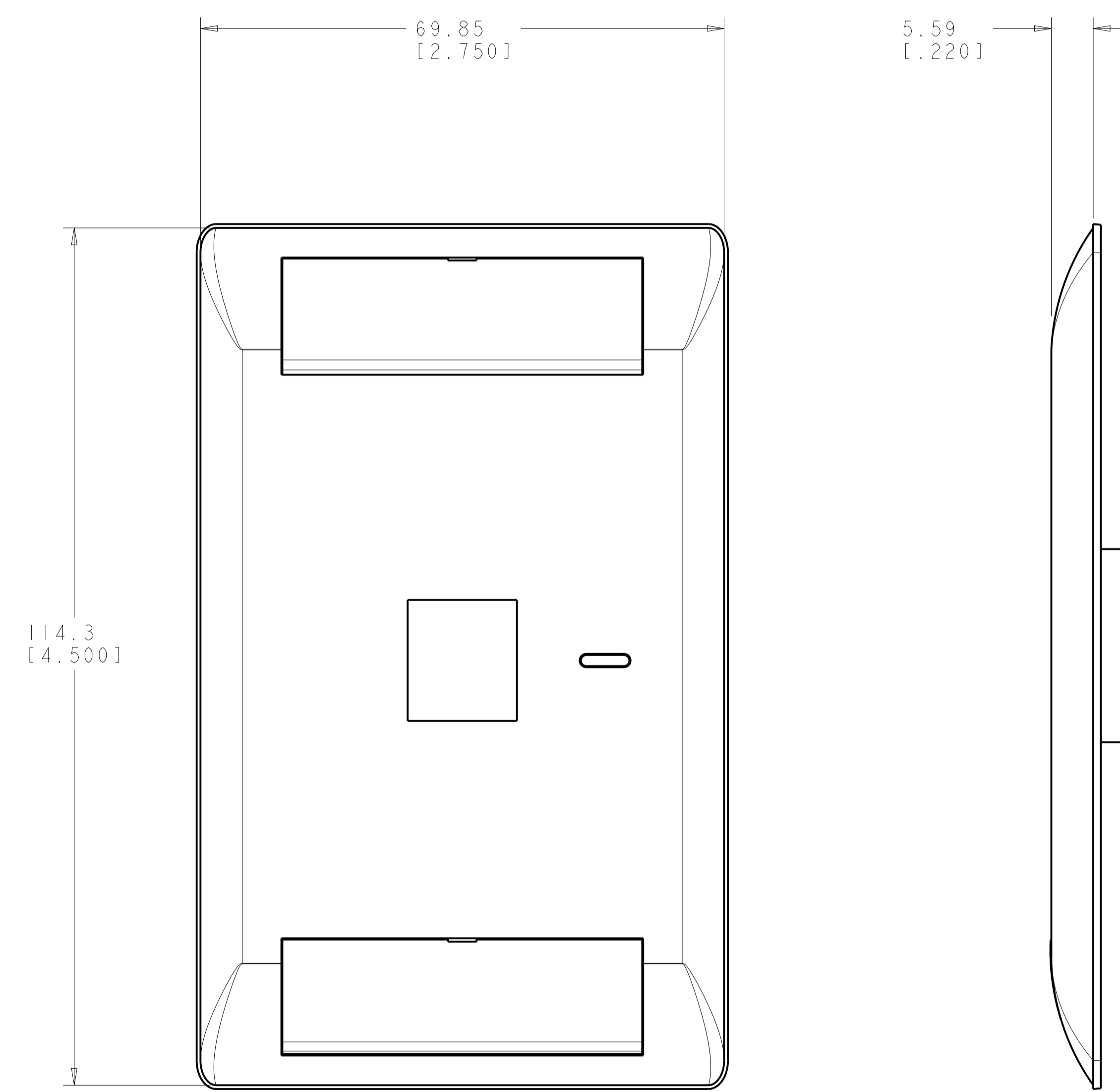
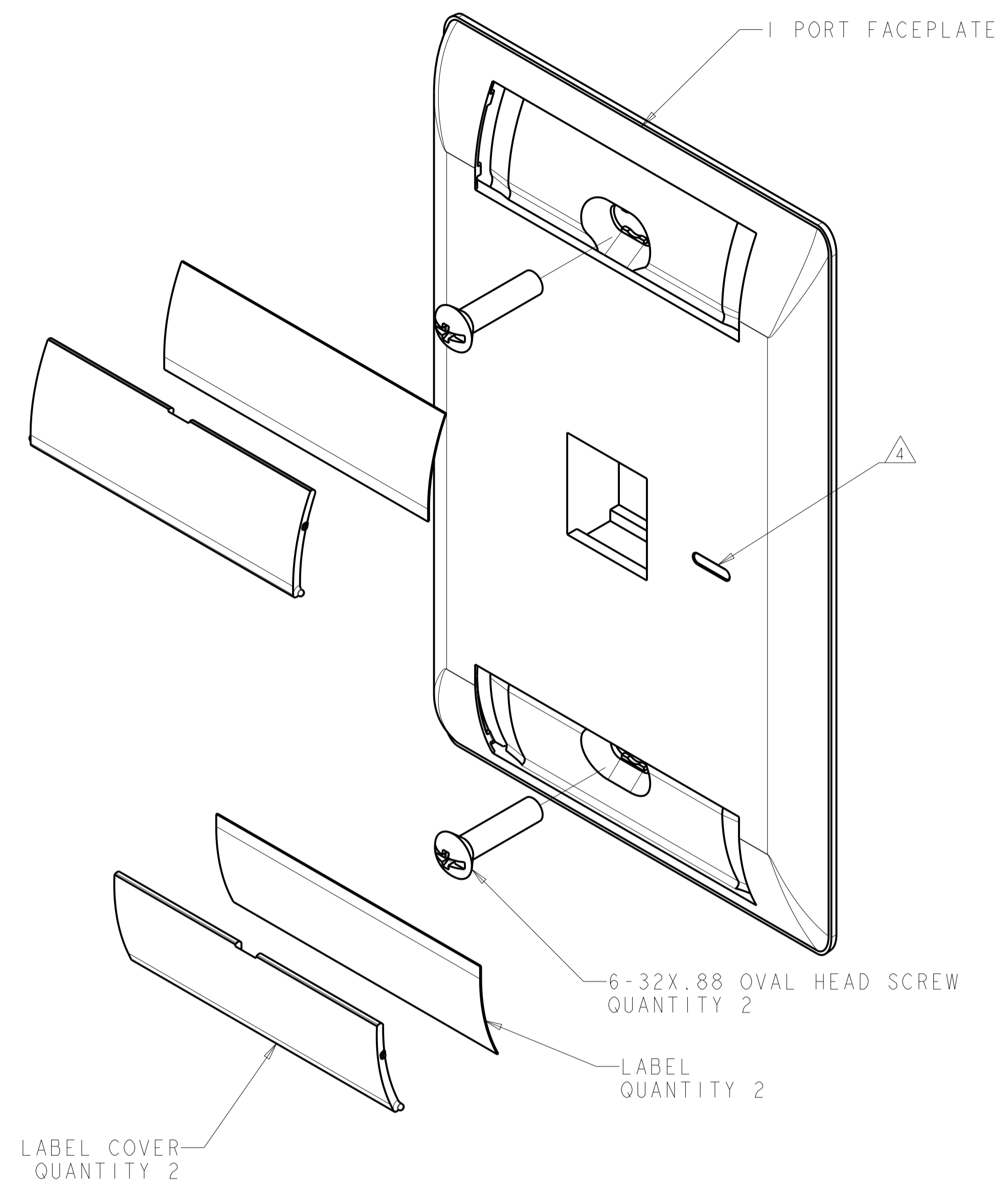


REVISIONS				
P.	LTN	DESCRIPTION	DATE	APP'D
A		RLSD; ECO-10-002954	09FEB2010	GG RA
B		REV; 40026397MCO	11NOV2015	GG LS
C		REV PER BNS_CD_BRAND	09FEB2017	GG DC



- ⚠ DIMENSIONS ARE NOMINAL UNLESS OTHERWISE SPECIFIED.
- ⚠ MATERIAL:
FACEPLATE - POLYCARBONATE MOLDING COMPOUND. SEE TABLE FOR COLORS.
SCREWS - ZINC PLATED CARBON STEEL.
LABEL COVER - POLYCARBONATE MOLDING COMPOUND, CLEAR.
LABEL - WHITE INDEX PAPER.
- 3. THIS KIT SHIPPED NOT ASSEMBLED.
- ⚠ MOLD OVER ICON FEATURE.

ALPINE WHITE	1-2111008-3
ELECTRIC IVORY	1-2111008-1
NEMA GRAY	2111008-4
BLACK	2111008-2
LIGHT ALMOND	2111008-1
COLOR	PART NUMBER

THIS DRAWING IS A CONTROLLED DOCUMENT.		DWN G. GARRETT 31MAR2009	COMMSCOPE, INC. KIT, FACEPLATE, COMMERCIAL, SINGLE GANG, 1 PORT		
DIMENSIONS: MM [INCHES]		CHK R. ASHBY 31MAR2009			
TOLERANCES UNLESS OTHERWISE SPECIFIED: 0 PLC ± ⚠ 1 PLC ± ⚠ 2 PLC ± ⚠ 3 PLC ± ⚠ 4 PLC ± ⚠ ANGLES ± ⚠		APP'D R. ASHBY 31MAR2009			
MATERIAL	FINISH	WEIGHT	SIZE A1	CAGE CODE C=2111008	RESTRICTED TO -
Customer Drawing		SCALE 2:1	SHEET 1 OF 1	REV C	