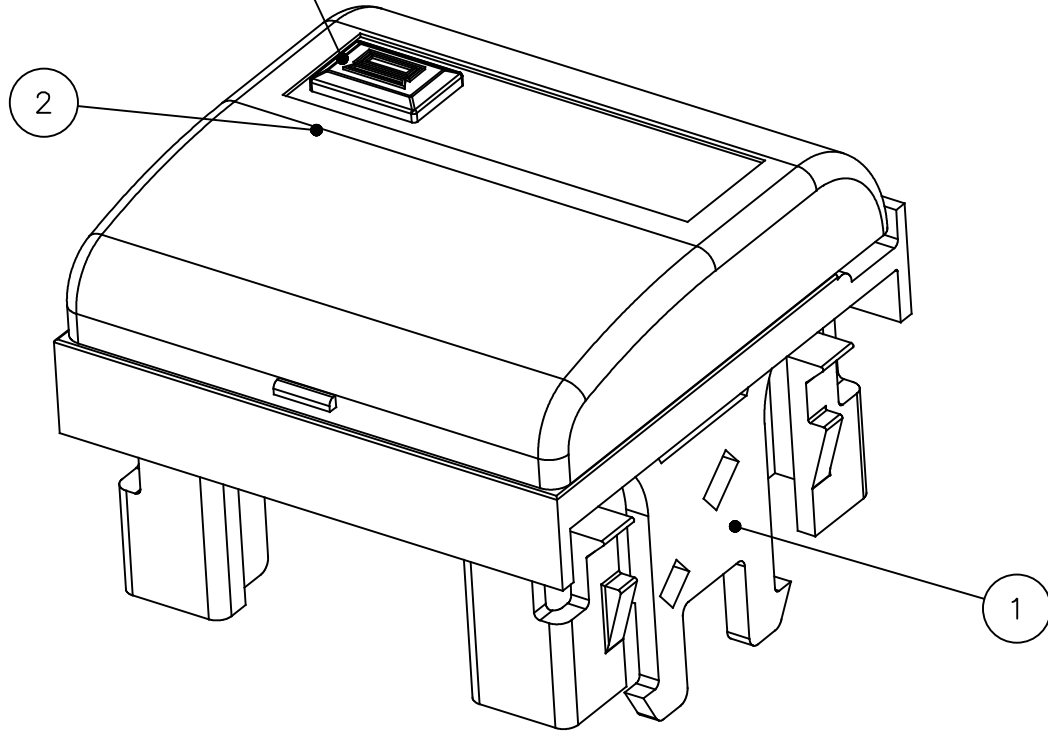
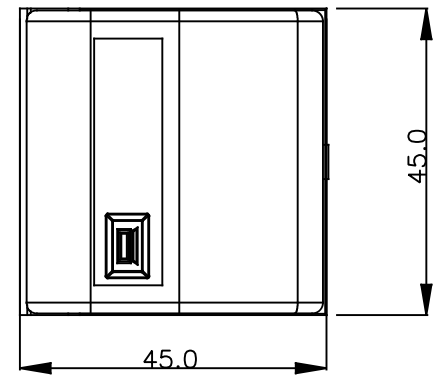
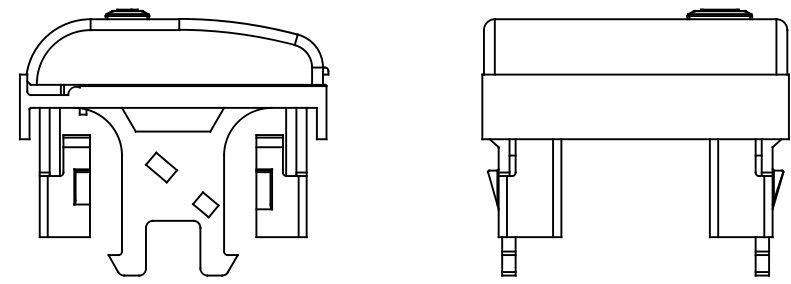


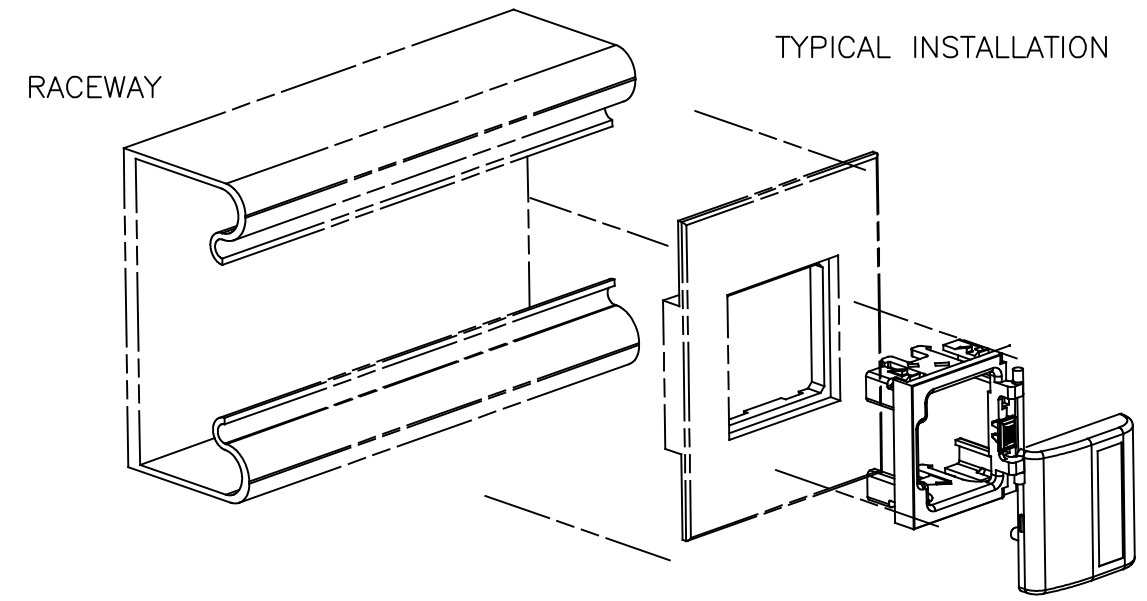
THIS DRAWING IS UNPUBLISHED. RELEASED FOR PUBLICATION
 © 2016 Commscope, INC. Confidential NOTICE: These drawings and specifications are the proprietary property of COMMSCOPE, INC. and may be used only for the specific purpose authorized in writing by COMMSCOPE, INC.

REVISIONS					
P	LTR	DESCRIPTION	DATE	DWN	APVD
B2		SEEE EC, ESE0-0028-05	19MAY05	MP	JS
C		REV PER BNS_CD_BRAND	21JAN17	GG	DC

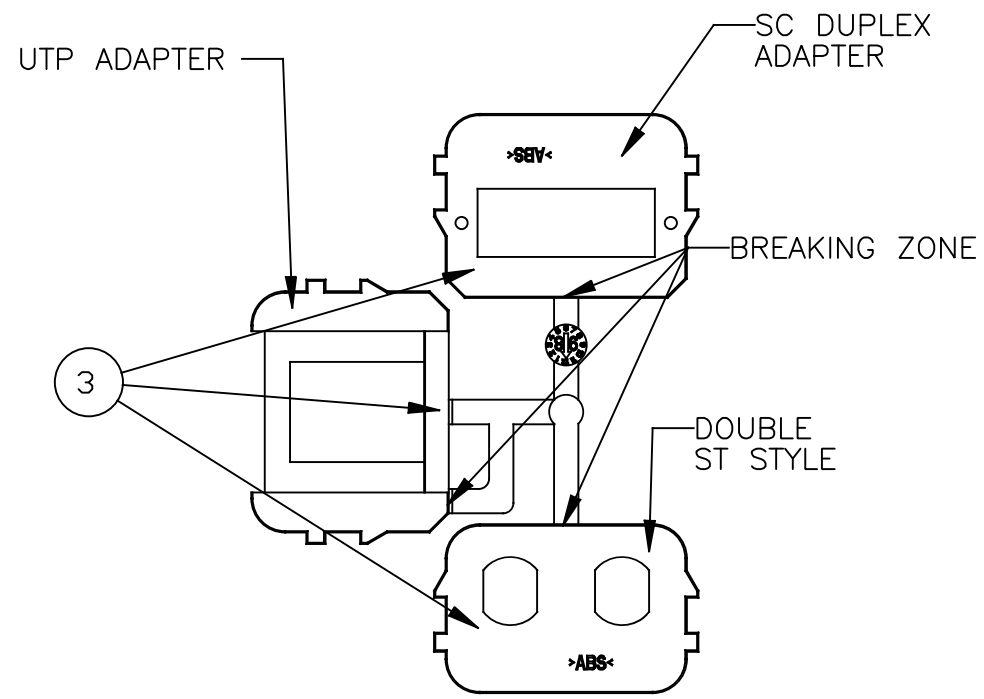
ICONS NOT SUPPLIED IN THE KIT



SCALE 2:1



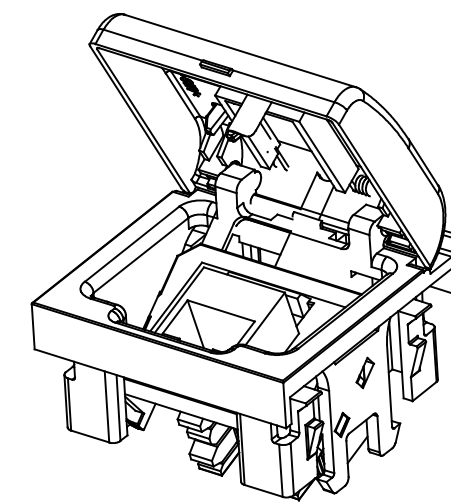
SCALE 1:2



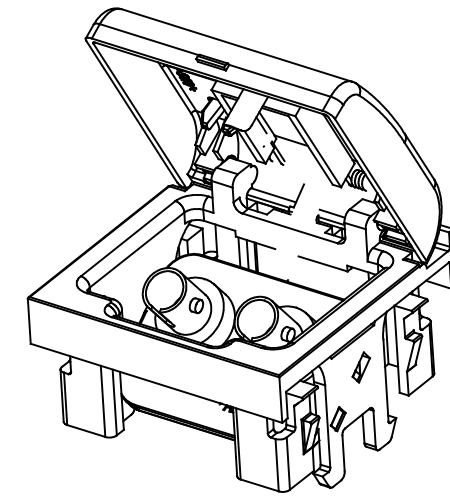
NOTE:

- 1-PACKAGING SPEC. 107-20186-1
- 2-PRODUCT SPEC. 108-20184
- 3-MATERIAL ABS
- 4-P/N 284235-1 IS UNASSEMBLED MOLDED PART OF COVER P/N 183935-1 AND HOUSING P/N 183933-1.

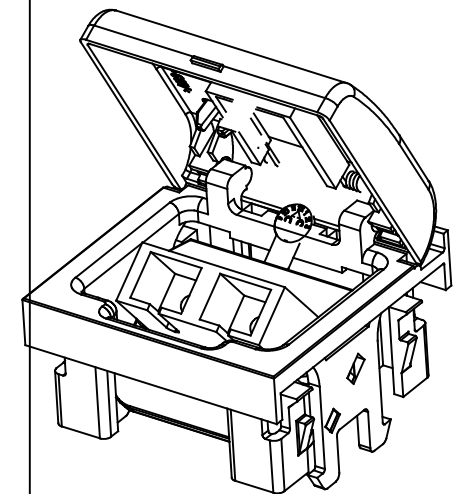
CONFIGURATIONS



UTP ASSEMBLED



DOUBLE ST STYLE



SC DUPLEX

ASSY AMP P/N	REV.	QUANTITY	DESCRIPTION	PART NO	ITEM	COLOR AND RAL
183931-1	B2	1	INSTRUCTION SHEET	411-20044	—	—
		2	SELF TAPPING SCREW FOR SC ADAPTER	785625-1	—	—
		1	CAVITY ADAPTERS CONN.	183936-1	3	WHITE, 9010
		1	45x45 COVER	284235-1	2	WHITE, 9010
		1	45x45 HOUSING		1	

THIS DRAWING IS A CONTROLLED DOCUMENT.

DIMENSIONS: mm	TOLERANCES UNLESS OTHERWISE SPECIFIED:
	0 PLC ± -
	1 PLC ± 0.2
	2 PLC ± 0.1
	3 PLC ± 0.05
	4 PLC ± -
MATERIAL	ANGLES ± 2°
	FINISH -

DWN M.PANADERO 19MAY05	COMMSCOPE, INC. NAME 45x45 MULTIMEDIA FACEPLATE OPTIC SIZE A2 CAGE CODE - DRAWING NO C=183931 RESTRICTED TO - SCALE 1:1 SHEET 1 of 1 REV C
CHK A.PUELL 19MAY05	
APVD J.SANABRA 19MAY05	
PRODUCT SPEC APPLICATION SPEC WEIGHT -	
CUSTOMER DRAWING	

183931

A