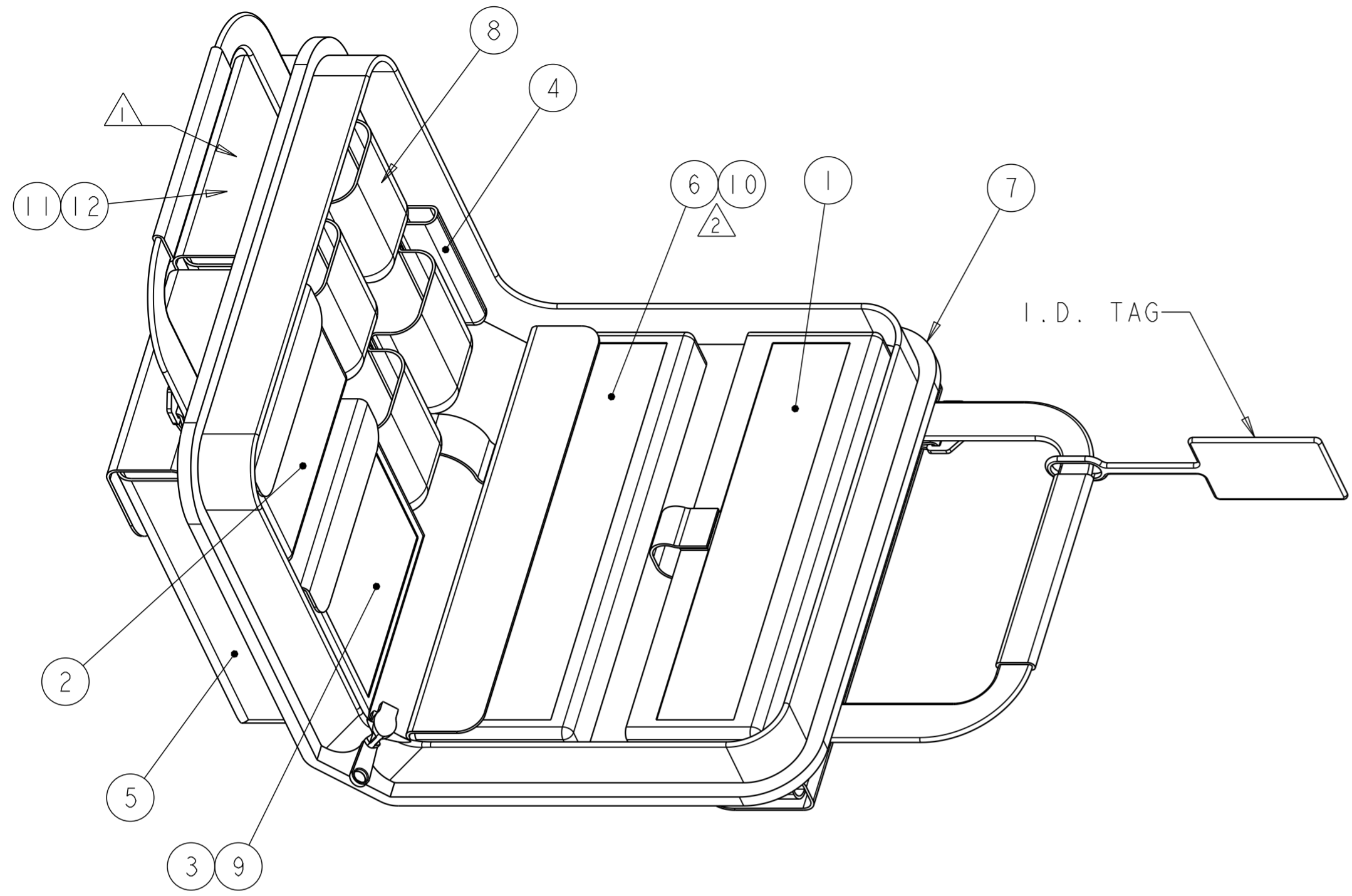


THIS DRAWING IS UNPUBLISHED. RELEASED FOR PUBLICATION 20
 © 2016 COMMSCOPE, INC. CONFIDENTIAL NOTICE: THESE DRAWINGS AND SPECIFICATIONS ARE THE PROPRIETARY PROPERTY OF COMMSCOPE, INC. AND MAY BE USED ONLY FOR THE SPECIFIC PURPOSE AUTHORIZED IN WRITING BY COMMSCOPE, INC.

LOC	DIST	REVISIONS					
CE	00	P	LTR	DESCRIPTION	DATE	DWN	APVD
		K		REVISED PER ECR 11-020518	24OCT2011	DLF	SB
		L		REV; ECO-12-009894	29MAY2012	GG	TE
		M		8000022968	26MAY2017	NRO	JFM



- 1. MANUFACTURER'S INSTRUCTION SHEETS.
- 2. OPTIONAL SHOULDER STRAP.
- 3. INSTRUCTION SHEETS 408-4020, 408-8925, 408-4471 AND 408-10103 EXPLAIN THE LightCrimp Plus LC TERMINATION TECHNIQUE AND ARE AVAILABLE FOR DOWNLOAD AT WWW.COMMSCOPE.COM

OBSELETE

1	1	2064710-1	FIBER OPTICS CLEANING & INSPECTION GUIDE	12
1	1	1374503-1	CD ROM, TERMINATION TRAINING	11
1	-	1754765-1	MICROSCOPE ADAPTER, 1.25mm	10
1	1	1278625-1	CABLE CLAMP	9
1	1	1553661-1	SLITTER TOOL, 2mm & 3mm	8
1	1	1278540-1	PREMIUM SOFT CASE	7
1	-	1754767-1	200x MICROSCOPE KIT	6
1	1	1871696-1	FIBER CLEAVER, SLIDE CUTTER	5
2	2	1278422-1	OPEN END WRENCH, 1/4IN	4
1	1	2064540-1	CABLE HOLDER, LightCrimp PlusLC/SC	3
1	1	1985766-1	DIESET, LightCrimp Plus/LC/SC/SPLICE	2
1	1	1976850-2	HANDTOOL FRAME, BLACK	1
-2	-1	PART NUMBER	DESCRIPTION	ITEM NO.

THIS DRAWING IS A CONTROLLED DOCUMENT.		DWN B. BRIGGS 18MAY2006	COMMSCOPE, INC.															
		CHK D. KIRSCH 18MAY2006																
DIMENSIONS: mm		TOLERANCES UNLESS OTHERWISE SPECIFIED:		NAME ADAPTIVE TERMINATION KIT, LightCrimp Plus, SC/LC														
<table border="0"> <tr><td>0 PLC</td><td>±</td></tr> <tr><td>1 PLC</td><td>±</td></tr> <tr><td>2 PLC</td><td>±</td></tr> <tr><td>3 PLC</td><td>±</td></tr> <tr><td>4 PLC</td><td>±</td></tr> <tr><td>ANGLES</td><td>±</td></tr> <tr><td>FINISH</td><td></td></tr> </table>		0 PLC	±	1 PLC	±	2 PLC	±	3 PLC	±	4 PLC	±	ANGLES	±	FINISH		APVD -	PRODUCT SPEC -	SIZE A2
0 PLC	±																	
1 PLC	±																	
2 PLC	±																	
3 PLC	±																	
4 PLC	±																	
ANGLES	±																	
FINISH																		
MATERIAL -		APPLICATION SPEC -	WEIGHT -	CAGE CODE 00779														
		CUSTOMER DRAWING		DRAWING NO. C-1754846														
		SCALE NTS	SHEET 1	REV M														