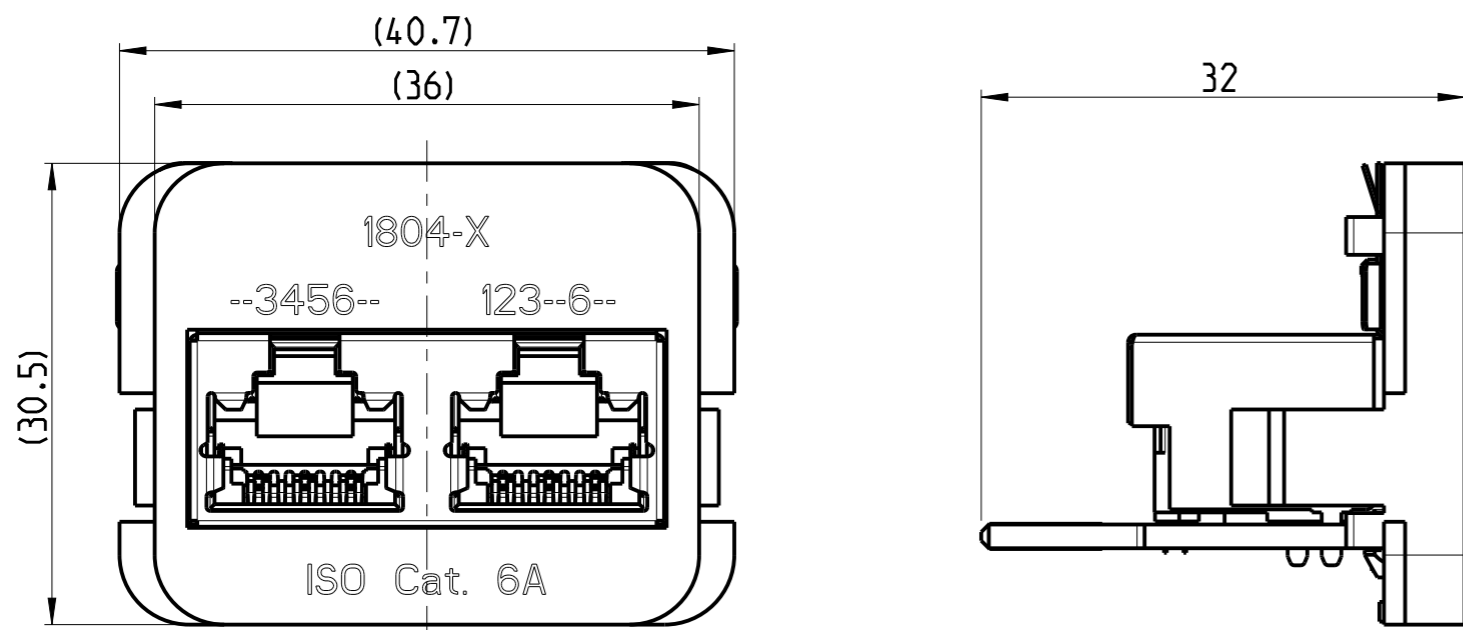


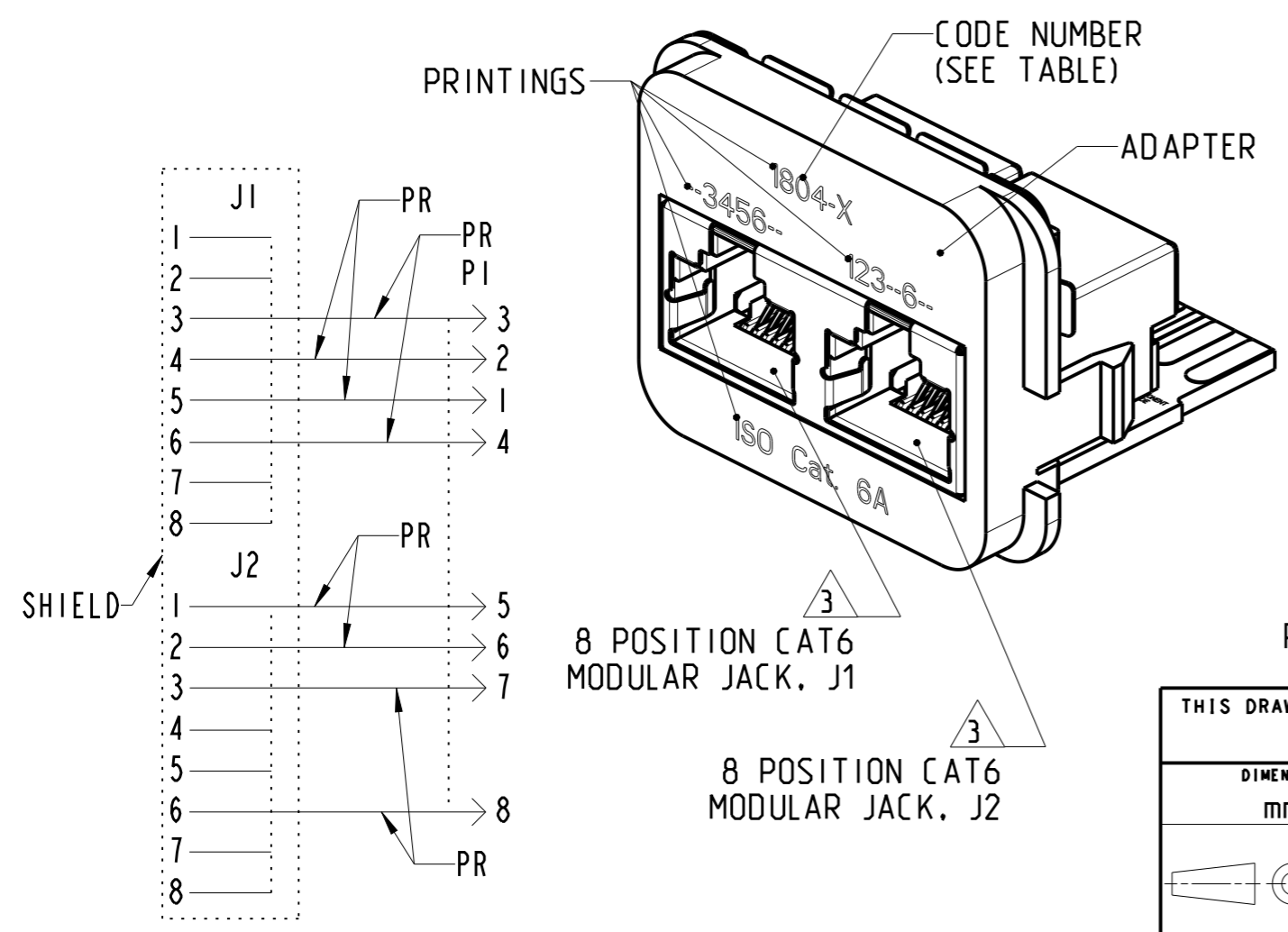
THIS DRAWING IS UNPUBLISHED. RELEASED FOR PUBLICATION

© 2016 COMMSCOPE, INC. CONFIDENTIAL NOTICE: THESE DRAWINGS AND SPECIFICATIONS ARE THE PROPRIETARY PROPERTY OF COMMSCOPE, INC. AND MAY BE USED ONLY FOR THE SPECIFIC PURPOSE AUTHORIZED IN WRITING BY COMMSCOPE, INC.

REVISIONS					
P	LTR	DESCRIPTION	DATE	DWN	APVD
	A	DRAWING RELEASED	26APR2010	LC	JS
	A1	NOTE 1 CORRECTED	27APR2011	LC	JS
	B	REV PER BNS_CD_BRAND	07FEB2017	GG	DC



- MATERIAL:
 PRINTED CIRCUIT BOARD-
 LAMINATED PLASTIC SHEET, 1.57mm THICK
 PRINTED CIRCUIT FINGERS-
 GOLD PLATED MIN. 0.5µm THICK OVER
 MIN. 1.27µm THICK NICKEL PLATED
 ADAPTER-
 ABS MOULDING COMPOUND, SEE TABLE
 SHIELD-
 MIN. 2.54µm THICK TIN OVER
 0.25mm THICK BRASS
 - THIS INSERT IS DESIGNED TO MATE WITH EDGE CONNECTOR, WALLBOX AND PANEL KITS, AMP CO
- △ THIS INTERCONNECT MEETS THE REQUIREMENTS OF IEC 603-7



1804-5	BLACK	WHITE	1711804-5
1804-3	WHITE	BLACK	1711804-3
1804-1	BLACK	ALMOND	1711804-1
CODE NUMBER	PRINTINGS COLOUR	ADAPTER COLOUR	PART NUMBER

ELECTRICAL SCHEMATIC

THIS DRAWING IS A CONTROLLED DOCUMENT.		DWN L. COBACHO 23APR2010	<h1>COMMSCOPE, INC.</h1> <p>INSERT CAT6a 10/100BT & ISDN AMP CO</p>	
DIMENSIONS: mm		CHK A. PUELL 26APR2010		
TOLERANCES UNLESS OTHERWISE SPECIFIED:		APVD J. SANABRA 26APR2010		
0 PLC ± 1 PLC ±0.3 2 PLC ± 3 PLC ± 4 PLC ± ANGLES ±		PRODUCT SPEC 108-93039		
MATERIAL -		FINISH -	APPLICATION SPEC -	NAME
		WEIGHT -	SIZE A3	CAGE CODE ---
		CUSTOMER DRAWING	DRAWING NO C-1711804	RESTRICTED TO -
		SCALE 2:1	SHEET 1 OF 1	REV B