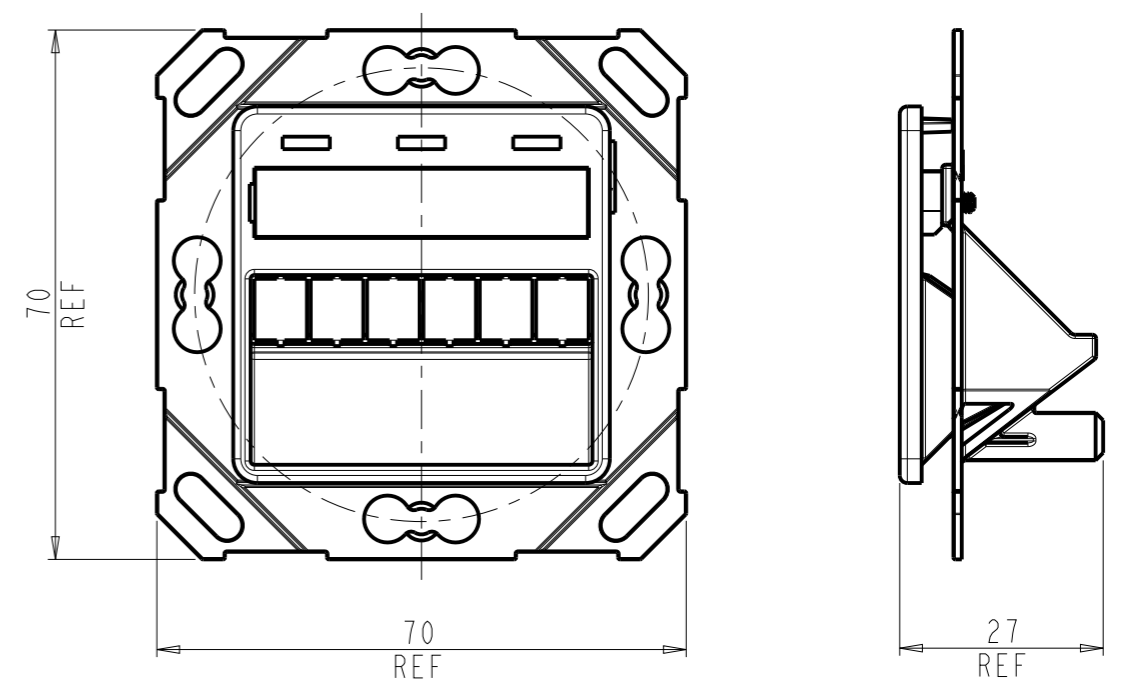
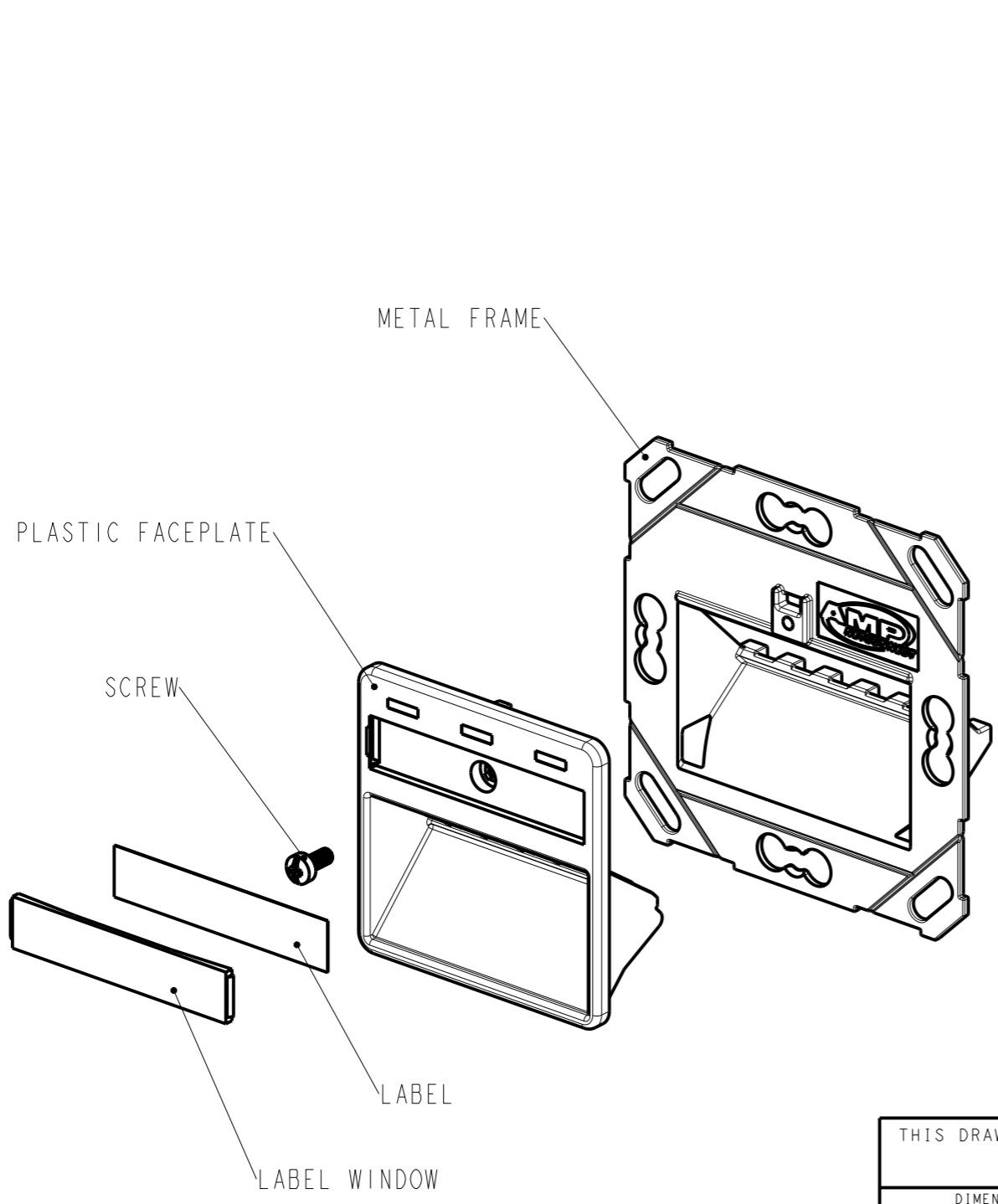


THIS DRAWING IS UNPUBLISHED. RELEASED FOR PUBLICATION

© 2016 COMMSCOPE, INC. CONFIDENTIAL NOTICE: THESE DRAWINGS AND SPECIFICATIONS ARE THE PROPRIETARY PROPERTY OF COMMSCOPE, INC. AND MAY BE USED ONLY FOR THE SPECIFIC PURPOSE AUTHORIZED IN WRITING BY COMMSCOPE, INC.

REVISIONS					
P	LTR	DESCRIPTION	DATE	DWN	APVD
	A	ISSUED	11OCT2006	FCH	JS
	B	RELEASED	13DEC2006	ACG	JS
	BI	NOTES AND BOM CLARIFICATION	04MAR2008	L.C.	J.S.
	C	REV PER ECN 8000019153	18JAN2017	GG	LS

PACKAGING:  
 - EACH UNIT IN A CARTON BOX WITH CORRESPONDING LABEL  
 - 10 UNITS IN A CARTON BOX WITH ONE INSTRUCTION SHEET AND CORRESPONDING LABEL  
 - 10 BOXES OF 10 UNITS (100 UNITS) IN A CARTON BOX WITH CORRESPONDING LABEL



QTY		MATERIAL	DESCRIPTION	ITEM
1	1	PC	LABEL WINDOW	5
1	1	PAPER	LABEL	4
1	1	STEEL	POZIDRIV SCREW M2.5x8.5mm	3
1	-	PC	PLASTIC FACEPLATE, WHITE	2
-	1	PC	PLASTIC FACEPLATE, ALMOND	
1	1	Zn ALLOY	METAL FRAME	1
-2	-1	MATERIAL	DESCRIPTION	ITEM

THIS DRAWING IS A CONTROLLED DOCUMENT.		DWN 20JUN2006 F. CHAMORRO		<b>COMMSCOPE, INC.</b>	
DIMENSIONS: mm		CHK 11OCT2006 A. CARRERAS			
TOLERANCES UNLESS OTHERWISE SPECIFIED:		APVD 18DEC2006 J. SANABRA		NAME 3-PORT 50x50 DIN OUTLET SL SERIES JACKS	
0 PLC ±-		PRODUCT SPEC		SIZE	
1 PLC ±0.2		APPLICATION SPEC		CAGE CODE	
2 PLC ±0.5		114-93009		DRAWING NO	
3 PLC ±-		WEIGHT		RESTRICTED TO	
4 PLC ±-		-		-	
ANGLES ±-		CUSTOMER DRAWING		SCALE	
MATERIAL -		FINISH -		SHEET OF	
				REV C	