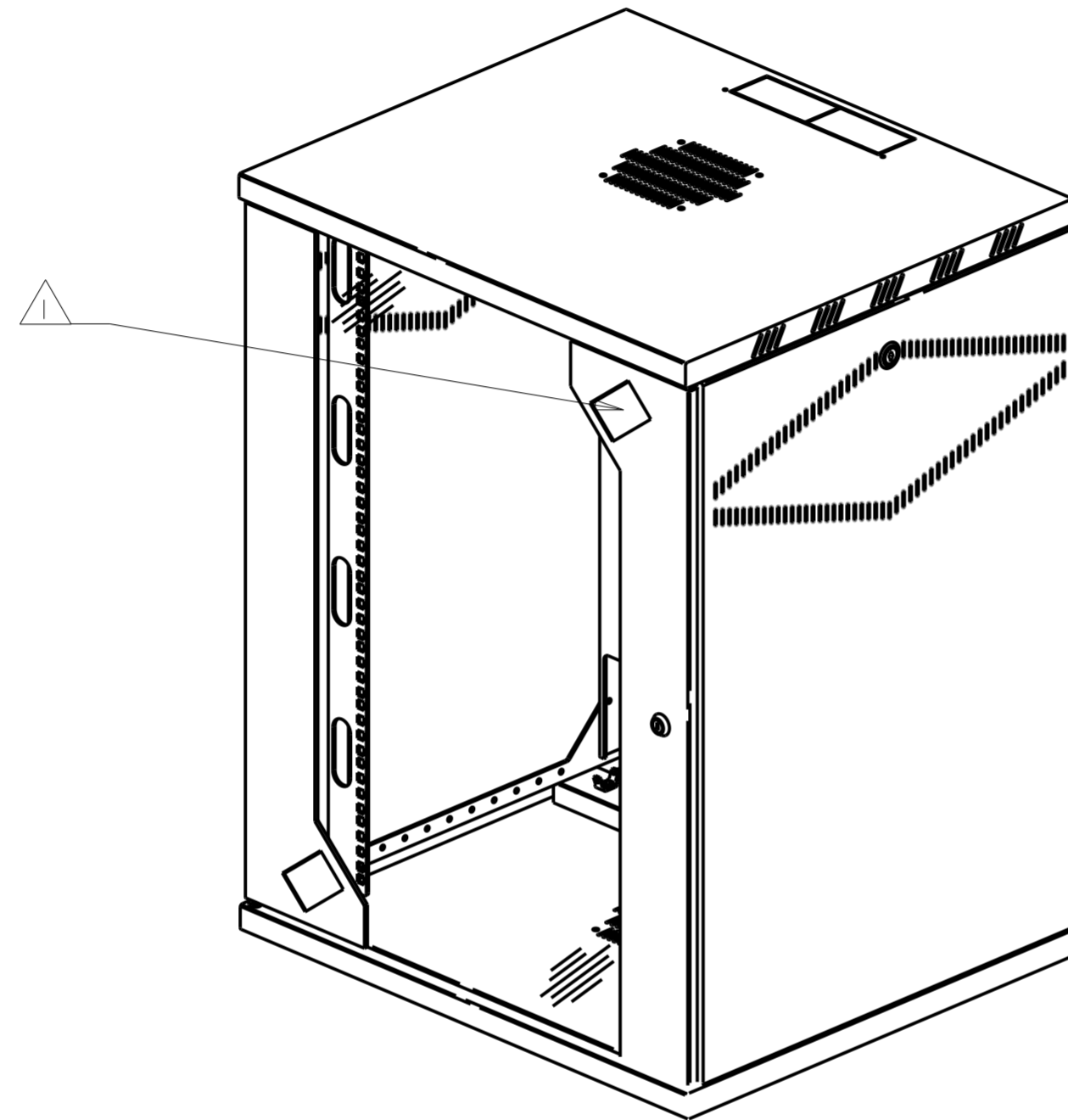


THIS DRAWING IS UNPUBLISHED. RELEASED FOR PUBLICATION  
 © 2016 COMMSCOPE, INC. CONFIDENTIAL NOTICE: THESE DRAWINGS AND SPECIFICATIONS ARE THE PROPRIETARY PROPERTY OF COMMSCOPE, INC. AND MAY BE USED ONLY FOR THE SPECIFIC PURPOSE AUTHORIZED IN WRITING BY COMMSCOPE, INC.

REVISIONS				
P	LTR	DESCRIPTION	DATE	APVD
B	I	ADDED DASH -6	17NOV2014	RM JS
C		REV PER BNS_CD_BRAND	02FEB2017	GG DC

△ COMMSCOPE LOGO LOCATED APPROX AS SHOWN, COLOUR WHITE RAL 9010 FILLED.

- Wall mount enclosure - Black RAL 9005.
- Tempered glass lockable front door with reverse facility.
- 19" Panel Mount (1 Pair) steel, zinc plat 2.0 mm.
- Earth kit



PN	L (mm)	W (mm)	H (mm)	UNITS
1711364-1	600	520	520	9
1711364-2	600	520	655	12
1711364-3	600	520	787	15
1711364-4	600	520	1054	21
1711364-6	600	600	655	12

- LOAD RATING AND SAFETY SPECIFICATION 40 KG.

STANDARDS

- UNI EN 12150-1
- EN 60529 IP20
- IEC 297-1

THIS DRAWING IS A CONTROLLED DOCUMENT.		DWN R. MATEO 17NOV2014	<b>COMMSCOPE, INC.</b>															
		CHK A. CARRERAS 17NOV2014																
		APVD J. SANABRA 17NOV2014																
DIMENSIONS: mm		TOLERANCES UNLESS OTHERWISE SPECIFIED:		NAME RACK WALL MOUNTED - 19 INCHES														
<table border="0"> <tr><td>0 PLC</td><td>±</td></tr> <tr><td>1 PLC</td><td>±</td></tr> <tr><td>2 PLC</td><td>±</td></tr> <tr><td>3 PLC</td><td>±</td></tr> <tr><td>4 PLC</td><td>±</td></tr> <tr><td>ANGLES</td><td>±</td></tr> <tr><td>FINISH</td><td>±</td></tr> </table>		0 PLC	±	1 PLC	±	2 PLC	±	3 PLC	±	4 PLC	±	ANGLES	±	FINISH	±	PRODUCT SPEC -		SIZE A2
0 PLC	±																	
1 PLC	±																	
2 PLC	±																	
3 PLC	±																	
4 PLC	±																	
ANGLES	±																	
FINISH	±																	
MATERIAL -		APPLICATION SPEC -		CAGE CODE -														
		WEIGHT -		DRAWING NO C-1711364														
		Customer Drawing		RESTRICTED TO -														
		SCALE -		SHEET 1														
				OF 1														
				REV C														