

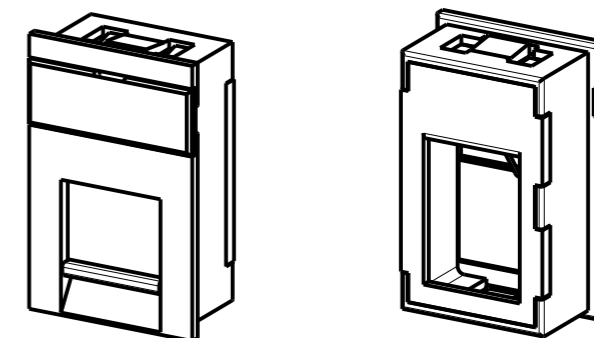
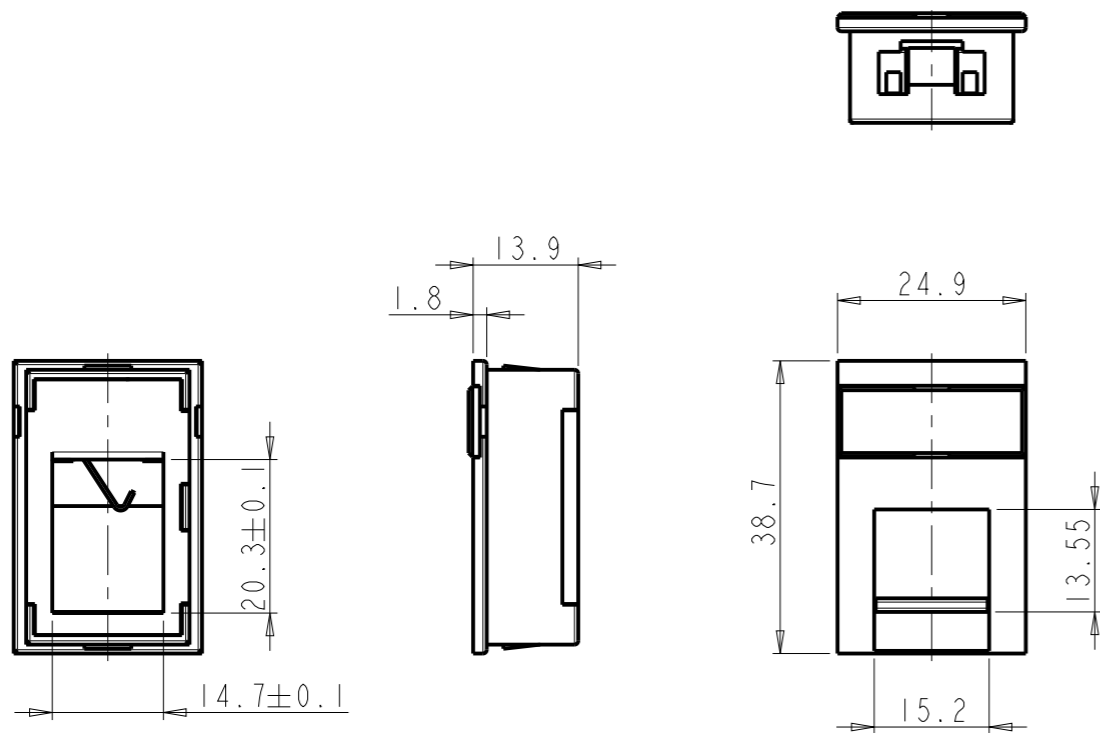
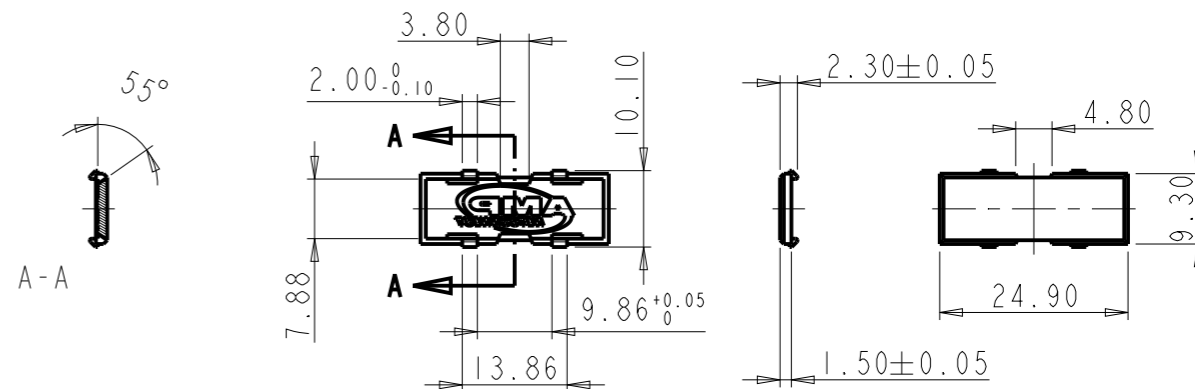
THIS DRAWING IS UNPUBLISHED.      RELEASED FOR PUBLICATION

© 2016 COMMSCOPE, INC. CONFIDENTIAL      NOTICE: THESE DRAWINGS AND SPECIFICATIONS ARE THE PROPRIETARY PROPERTY OF COMMSCOPE, INC. AND MAY BE USED ONLY FOR THE SPECIFIC PURPOSE AUTHORIZED IN WRITING BY COMMSCOPE, INC.

REVISIONS					
P	LTR	DESCRIPTION	DATE	DWN	APVD
	A	FIRST RELEASE	14JUN2005	MP	AC
	B	SEE ECR-08-007911	10APR2008	L.C.	J.S.
	C	REV PER BNS_CD_BRAND	02FEB2017	GG	DC

I. PRODUCT DESCRIPTION:  
UNLOADED LJ6C SNAP IN MODULE

TRANSPARENT LABEL COVER



9003	1711348-1
RAL	DASH

THIS DRAWING IS A CONTROLLED DOCUMENT.		DWN M. PANADERO 14JUN2005	<h1>COMMSCOPE, INC.</h1> <p>UNLOADED LJ6C SNAP IN MODULE</p>				
DIMENSIONS: mm		CHK A. CARRERAS 14JUN2005				NAME	
TOLERANCES UNLESS OTHERWISE SPECIFIED:		APVD J. SANABRA 14JUN2005				PRODUCT SPEC	
0 PLC ±- 1 PLC ±- 2 PLC ±- 3 PLC ±- 4 PLC ±- ANGLES ±-		APPLICATION SPEC					
MATERIAL ABS		FINISH -	WEIGHT -	SIZE A3	CAGE CODE C-1711348		
CUSTOMER DRAWING			SCALE	SHEET	OF		
					REV C		