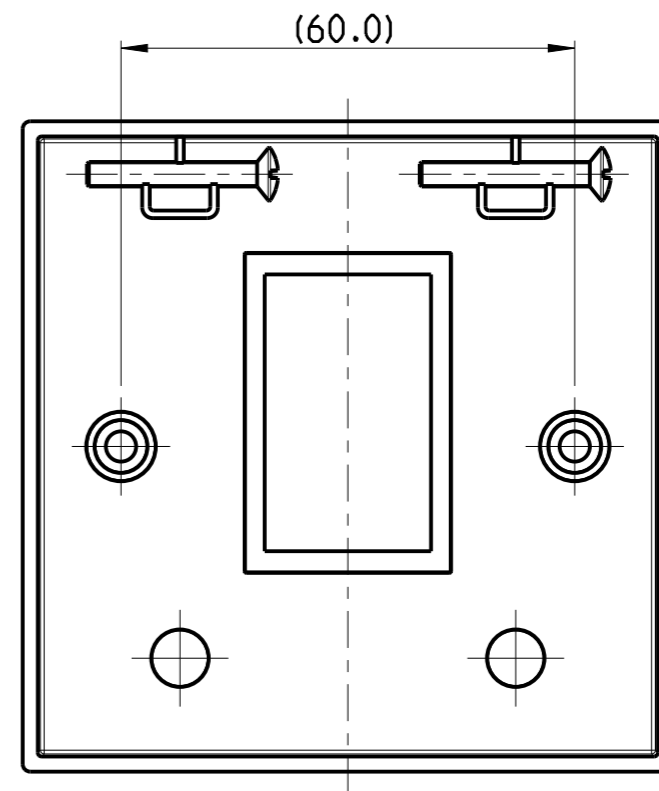
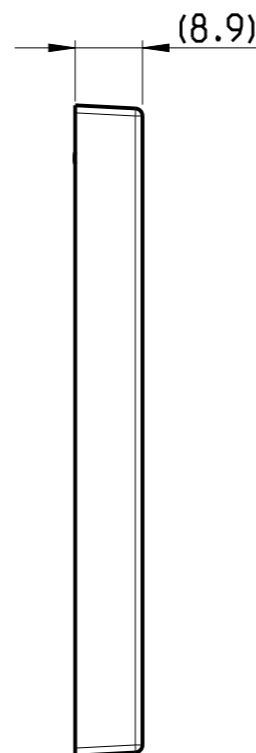
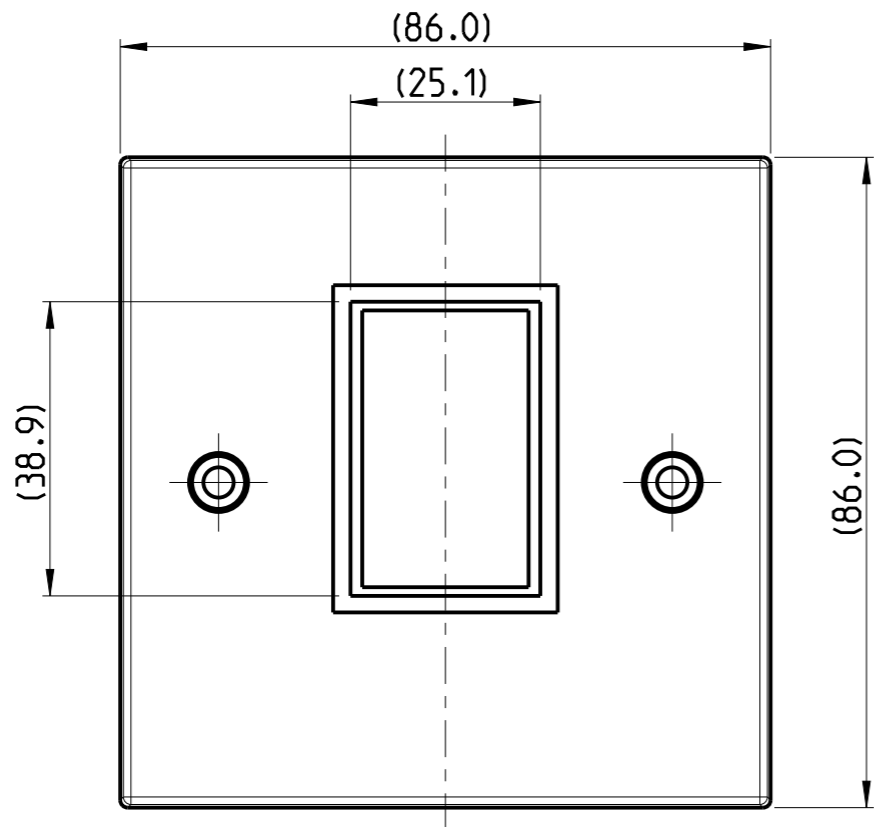


THIS DRAWING IS UNPUBLISHED. RELEASED FOR PUBLICATION

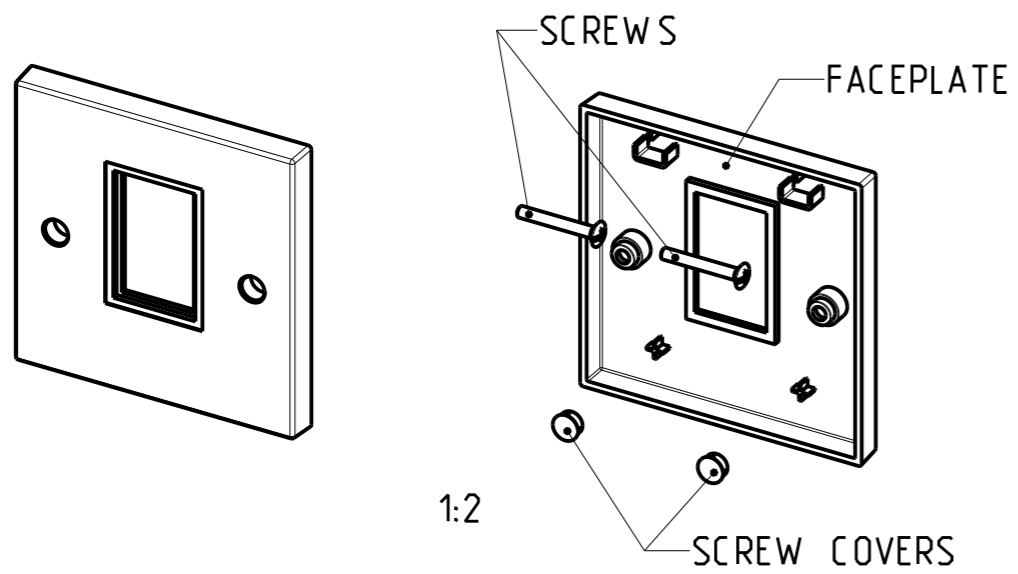
© 2016 COMMSCOPE, INC. CONFIDENTIAL NOTICE: THESE DRAWINGS AND SPECIFICATIONS ARE THE PROPRIETARY PROPERTY OF COMMSCOPE, INC. AND MAY BE USED ONLY FOR THE SPECIFIC PURPOSE AUTHORIZED IN WRITING BY COMMSCOPE, INC.

REVISIONS					
P	LTR	DESCRIPTION	DATE	DWN	APVD
	A	FIRST RELEASE	15JUN2005	MP	AC
	B	REV PER BNS_CD_BRAND	02FEB2017	GG	DC



1. PRODUCT DESCRIPTION:
UNLOADED FACEPLATE FOR 1 MODULE LJ6C

WHITE, RAL 9003	1711301-1
COLOUR	PART NUMBER



THIS DRAWING IS A CONTROLLED DOCUMENT.		DWN M.PANADERO 15JUN2005	COMMSCOPE, INC. SINGLE BS FACEPLATE LJ6C UNLOADED FOR 1 MODULE LJ6C		
DIMENSIONS: mm		CHK A.CARRERAS 15JUN2005			
TOLERANCES UNLESS OTHERWISE SPECIFIED:		APVD J.SANABRA 15JUN2005			
0 PLC ± 1 PLC ± 2 PLC ± 3 PLC ± 4 PLC ± ANGLES ±		PRODUCT SPEC -			
MATERIAL -		FINISH -	APPLICATION SPEC -	WEIGHT -	SIZE A3
CUSTOMER DRAWING			SCALE 1:1	SHEET 1 OF 1	RESTRICTED TO -
					REV B