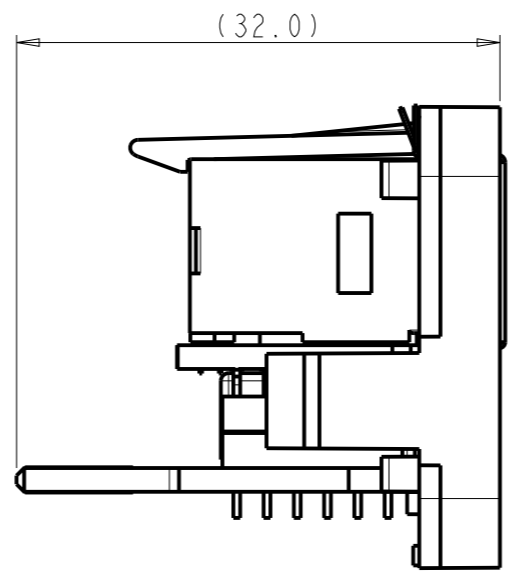
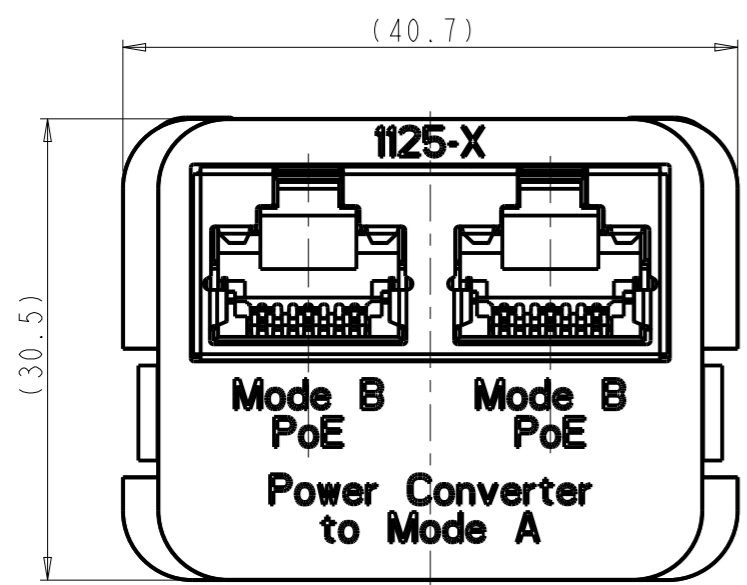


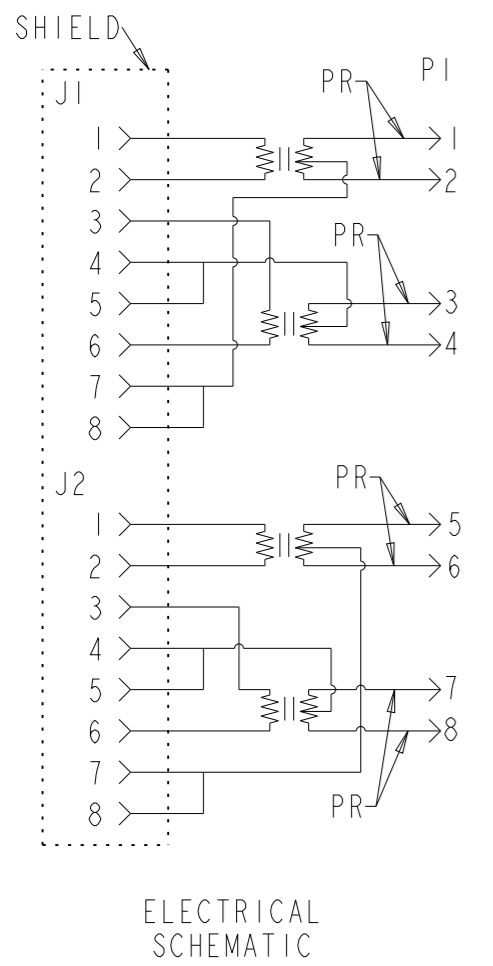
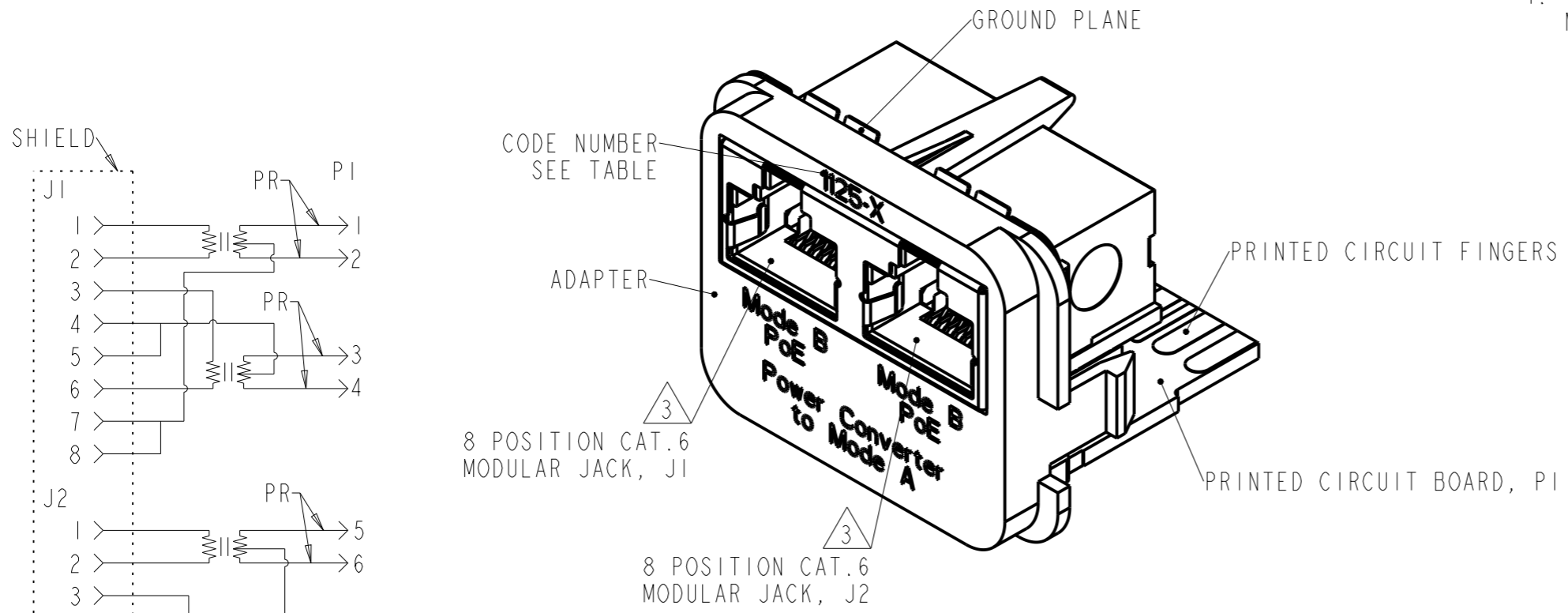
THIS DRAWING IS UNPUBLISHED. RELEASED FOR PUBLICATION

© 2016 COMMSCOPE, INC. CONFIDENTIAL NOTICE: THESE DRAWINGS AND SPECIFICATIONS ARE THE PROPRIETARY PROPERTY OF COMMSCOPE, INC. AND MAY BE USED ONLY FOR THE SPECIFIC PURPOSE AUTHORIZED IN WRITING BY COMMSCOPE, INC.

REVISIONS					
P	LTR	DESCRIPTION	DATE	DWN	APVD
C		ECR-06-018054 SERIGRAPHY MODIFIED	26JUL2006	FCH	JS
D		REV PER BNS_CD_BRAND	02FEB2017	GG	DC



- 1 MATERIAL:
PRINTED CIRCUIT BOARD-
LAMINATED PLASTIC SHEET, 1.57mm THICK
ADAPTER- ABS MOULDING COMPOUND, SEE TABLE
PRINTED CIRCUIT FINGERS- 0.51µm MIN. GOLD
PLATE OVER 1.27µm MIN. NICKEL PLATE
GROUND PLANE- 2.54µm MIN. TIN OVER
0.25mm THICK BRASS
- 2. THIS INSERT IS DESIGNED TO MATE WITH EDGE
CONNECTOR KITS AND WALLBOX KITS, AMP CO
- 3 THIS INTERCONNECT MEETS THE REQUERIMENTS
OF IEC 603-7
- 4. THIS INSERT IS DESIGNED TO CONVERT POWER FROM
MODE B TO MODE A (SEE IEEE Std 802.3af TM - 2003)



1125-5	BLACK	WHITE	1711125-5
1125-3	WHITE	BLACK	1711125-3
1125-1	BLACK	LIGHT ALMOND	1711125-1
CODE NUMBER	PRINTINGS COLOUR	ADAPTER COLOUR	PART NUMBER

THIS DRAWING IS A CONTROLLED DOCUMENT.		DWN F. CHAMORRO 19MAY2004	COMMSCOPE, INC.	
DIMENSIONS: mm		CHK A. PUELL 19MAY2004		
TOLERANCES UNLESS OTHERWISE SPECIFIED: 0 PLC ±- 1 PLC ±- 2 PLC ±- 3 PLC ±- 4 PLC ±- ANGLES ±-		APVD J. SANABRA 01AUG2006	NAME INSERT dual PoE B->A for PP	
MATERIAL		PRODUCT SPEC 108-93004	SIZE A3	CAGE CODE
FINISH		APPLICATION SPEC	DRAWING NO C-1711125	RESTRICTED TO
MATERIAL		WEIGHT	SCALE 2:1	SHEET 1
MATERIAL		CUSTOMER DRAWING	REV D	OF 1