

THIS DRAWING IS UNPUBLISHED.

RELEASED FOR PUBLICATION

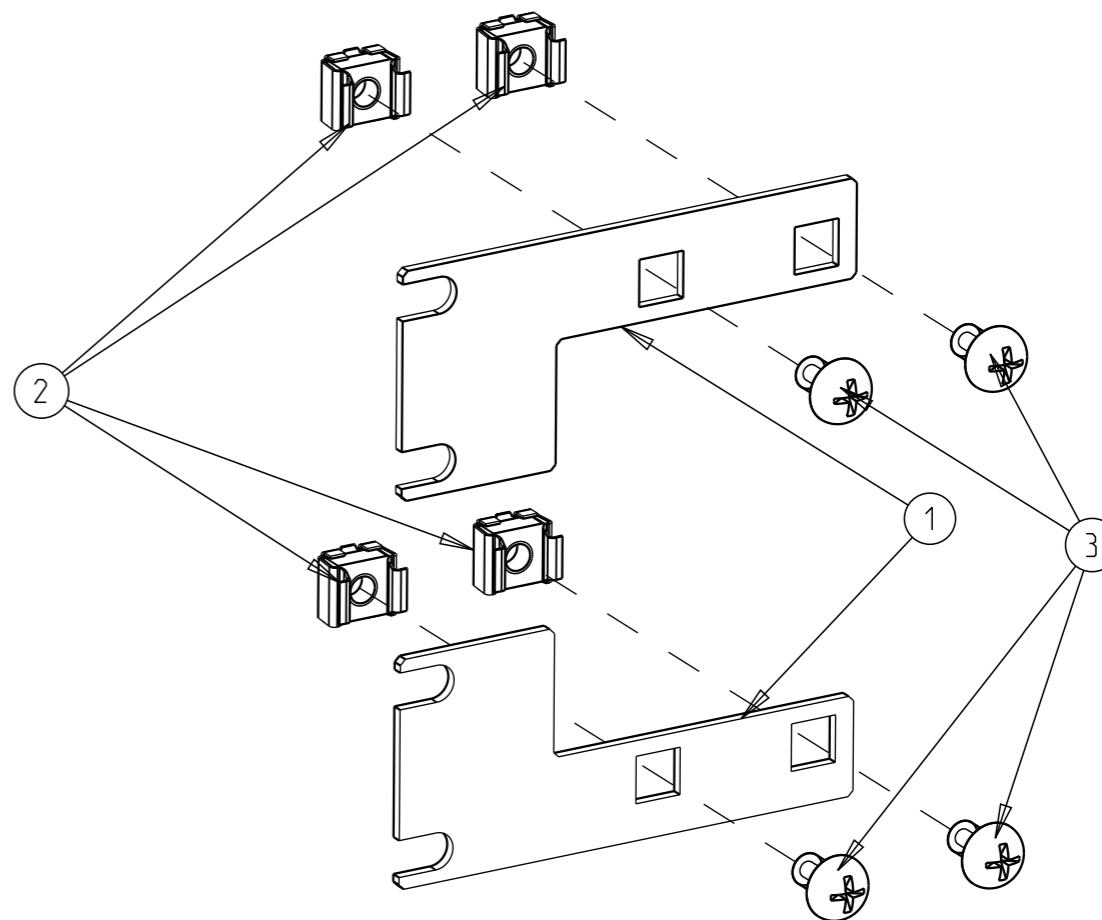
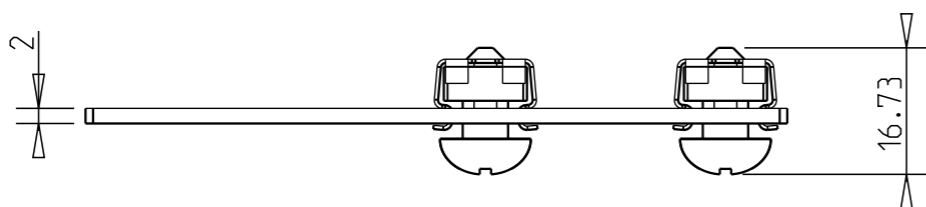
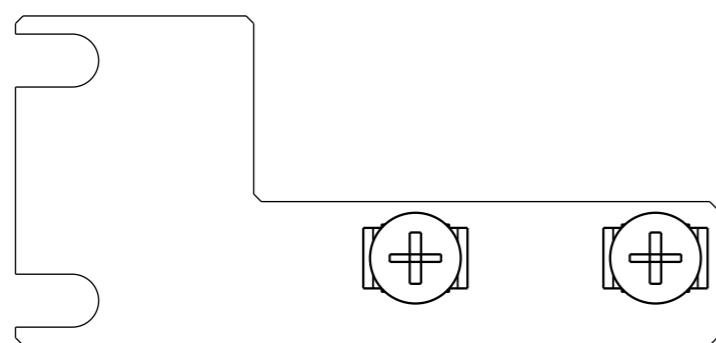
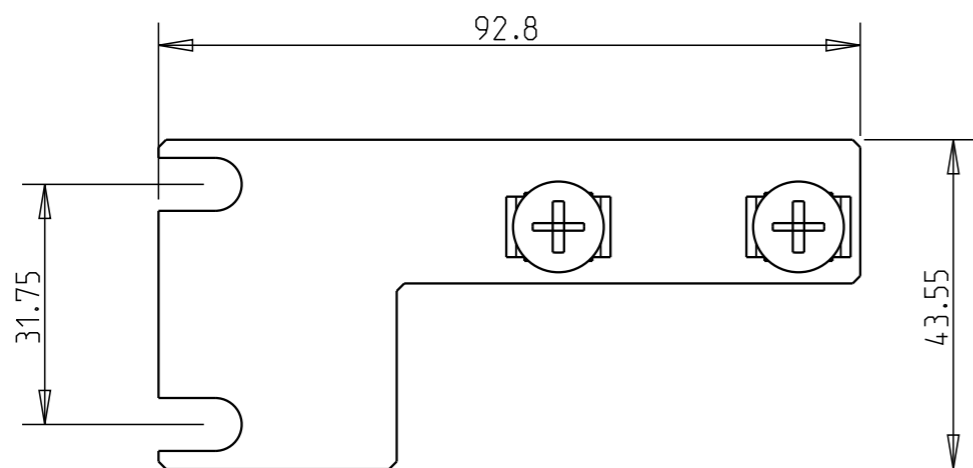
© 2016 COMMScope, INC.-CONFIDENTIAL

NOTICE: THESE DRAWINGS AND SPECIFICATIONS ARE THE PROPRIETARY PROPERTY OF COMMScope, INC. AND MAY BE USED ONLY FOR THE SPECIFIC PURPOSE AUTHORIZED IN WRITING BY COMMScope, INC.

LOC IV DIST 00

REVISIONS

P	LTR	DESCRIPTION	DATE	DWN	APVD
	B	Initial Release	07JUN2011	WDV	HB
	B1	Cage Nuts added	05NOV2012	WDV	HB
	B2	Screws M6x12 added	12NOV2012	WDV	HB
	C	ECN 8000018048 REBRANDING	11JAN2017	RCR	SC



SCALE 0.750



4	1-19807-7	M6x12, Pan Head, Cross, Zinc Plated	3
4	2168342-2	Cage nut M6, 13.2x13.5, 1.7-2.7	2
2	1671541-1	Vertical Bracket Panel	1
1--1	PART NUMBER	DESCRIPTION	ITEM
QTY			

THIS DRAWING IS A CONTROLLED DOCUMENT.

DIMENSIONS:	TOLERANCES UNLESS OTHERWISE SPECIFIED:
mm	
	0 PLC ±SEE TABLE
	1 PLC ±SEE TABLE
	2 PLC ±SEE TABLE
	3 PLC ±SEE TABLE
	4 PLC ±SEE TABLE
	ANGLES ±SEE TABLE
MATERIAL -	FINISH -

DWN	W. DE VIS	07JUN2011
CHK	H. BLEUS	07JUN2011
APVD	D. THUIS	07JUN2011
PRODUCT SPEC		
APPLICATION SPEC		
WEIGHT		
CUSTOMER DRAWING		

COMMScope, INC.			
Xtra-U Vertical Panel Mounting Brackets			
NAME	SIZE	CAGE CODE	DRAWING NO
	A3	-	C=1671549
RESTRICTED TO	SCALE	SHEET	OF
-	1.000	1	1
REV	C		