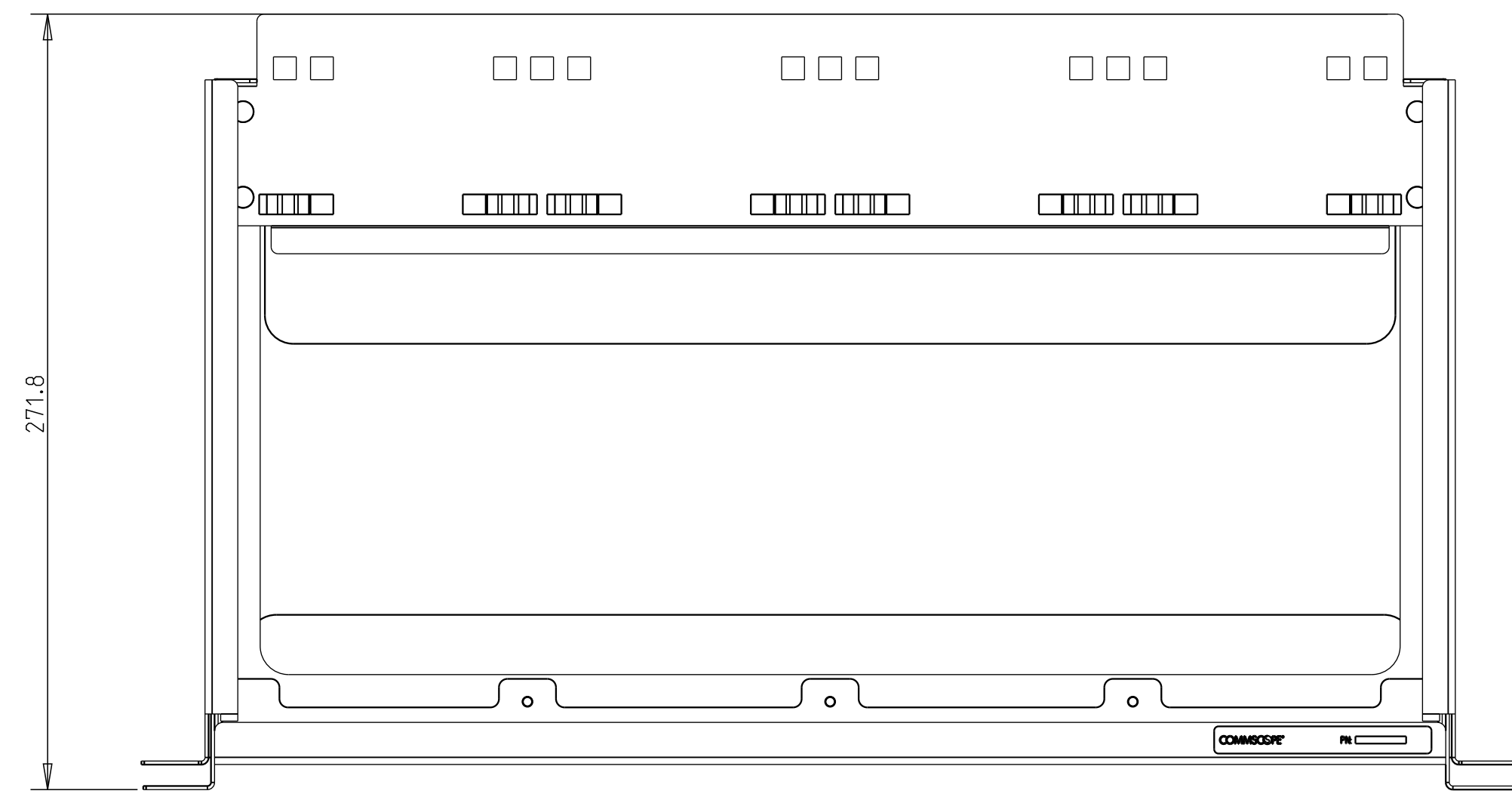
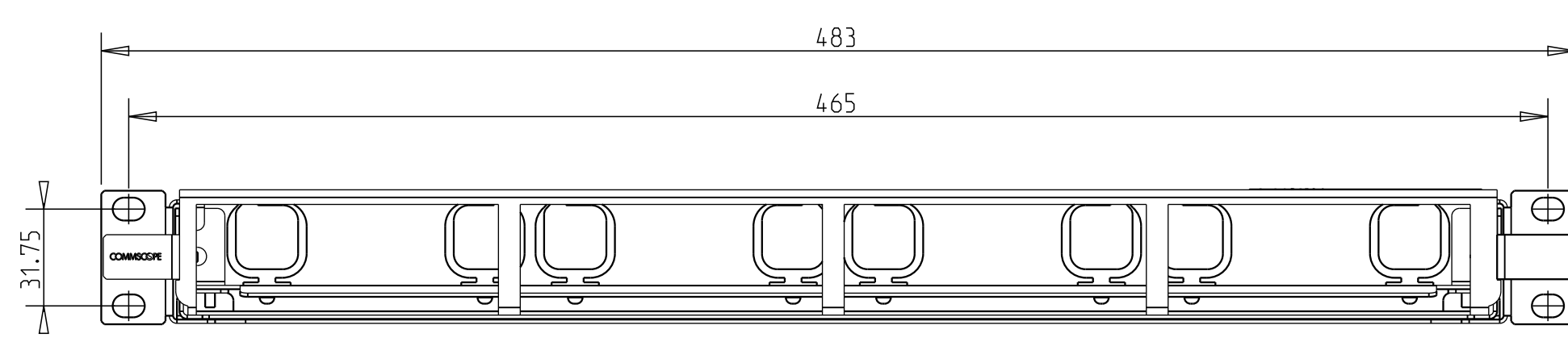
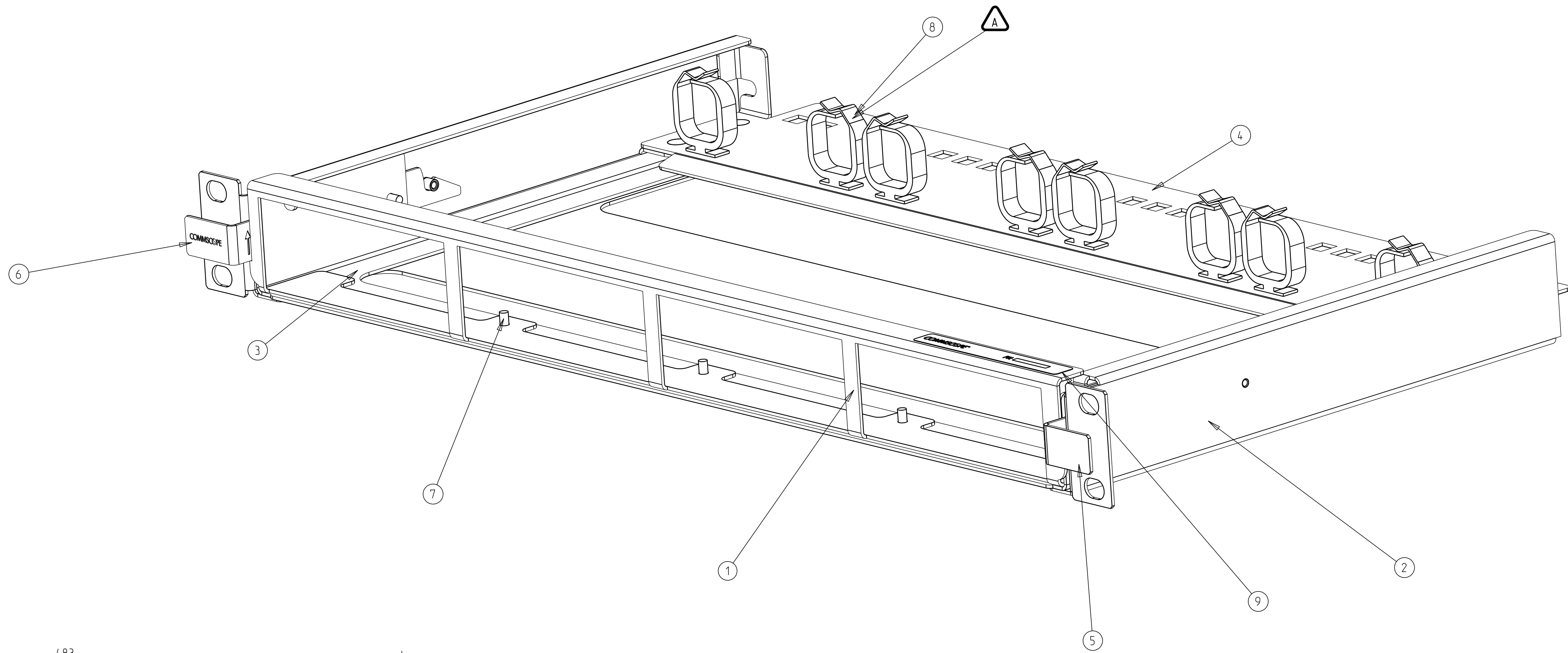


| LOC | DIST | REVISIONS | | | | |
|-----|------|-----------|-----------------------------|------------|-----|------|
| | | P. LTH | DESCRIPTION | DATE | OWN | APVD |
| IV | 00 | B | ECR-13-000687 | 15JAN2013 | HB | DT |
| | | B1 | Position of the label added | 04MAR2013 | WDV | HB |
| | | C | ECN 8000018048 REBRANDING | 22DEC 2016 | RCR | SC |



SCALE 0.500

A OFN Saddles are shown in the suggested position. These are included, not mounted!

| QTY | DESCRIPTION | ITEM |
|-----|------------------------------------|------|
| 1 | Label | 9 |
| 8 | OFN Saddle | 8 |
| 10 | Countersunk Rivet 3.2 x 6.5-7.5 AL | 7 |
| 1 | MOD FO Panel Lock Left | 6 |
| 1 | MOD FO Panel Lock Right | 5 |
| 1 | Q-F MPO Panel Cable Mgmt Bar | 4 |
| 1 | FM Q-F MPO Tray | 3 |
| 1 | FM Q-F MPO Panel Base | 2 |
| 1 | FM Q-F MPO Panel Frontplate | 1 |

| | | | | |
|--|------|-----------------------------|-----------|--------------|
| THIS DRAWING IS A CONTROLLED DOCUMENT. | | OWN | W. DE VIS | 26APR2010 |
| DIMENSIONS: | | CHK | H. BLEUS | 26APR2010 |
| mm | | APVD | D. THUIS | 26APR2010 |
| TOLERANCES UNLESS OTHERWISE SPECIFIED: | | NAME | | |
| 0 PLC | ±0.1 | COMMSCOPE, INC. | | |
| 1 PLC | ±0.2 | Flushmount Modular | | |
| 2 PLC | ±0.3 | Quick-Fit MPO Sliding Panel | | |
| 3 PLC | ±0.4 | - | | |
| 4 PLC | ±0.5 | APPLICATION SPEC | | |
| ANGLES | ±0.1 | SIZE | | |
| FINISH | - | CAGE CODE | | |
| MATERIAL | - | DRAWING NO | | |
| | | RESTRICTED TO | | |
| | | A 1 | | |
| CUSTOMER DRAWING | | SCALE 1.000 | | SHEET 1 OF 1 |