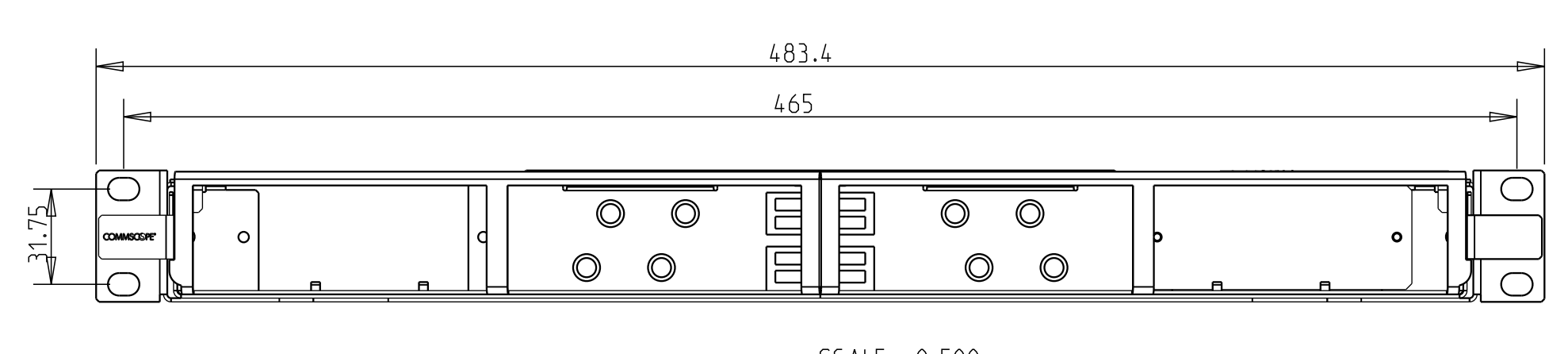
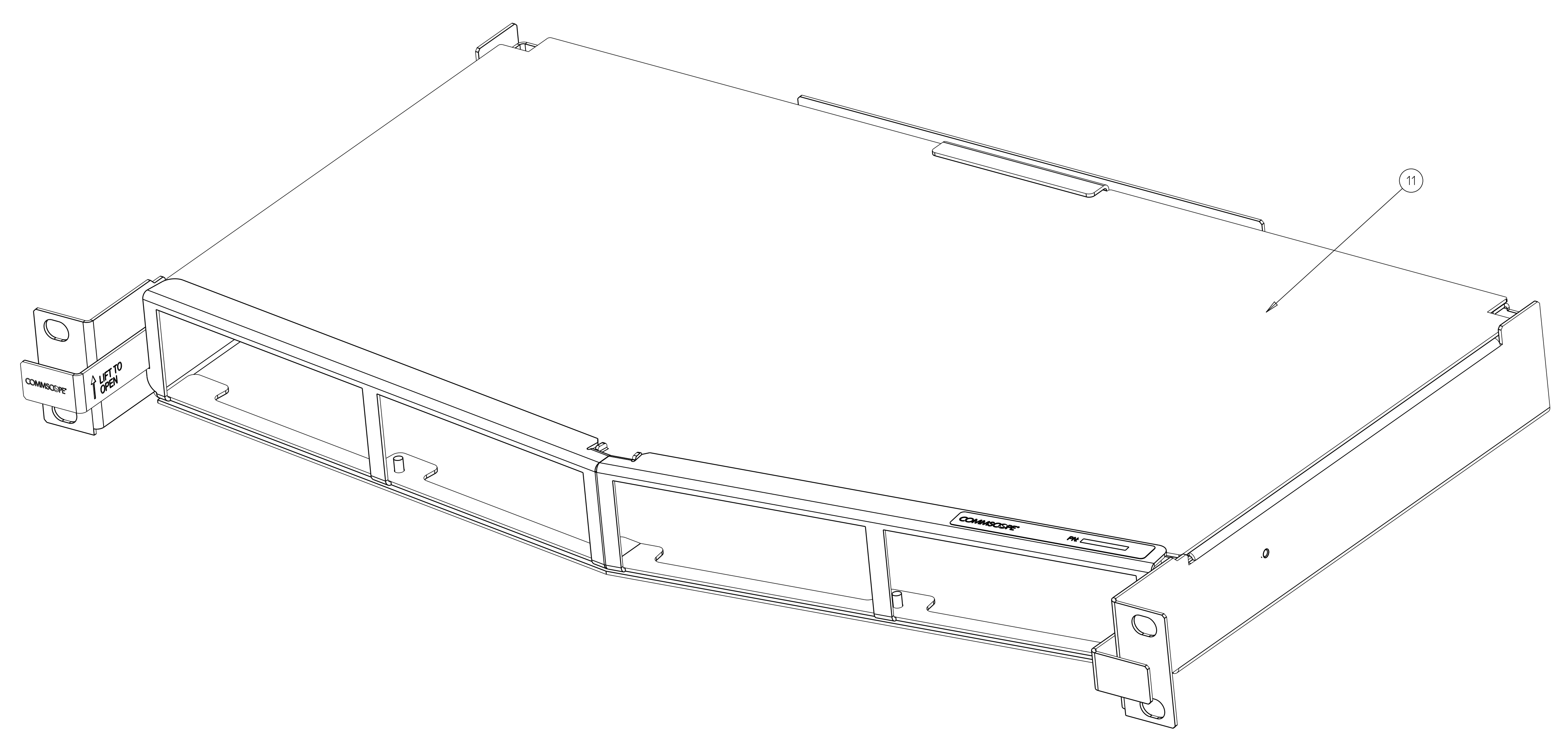
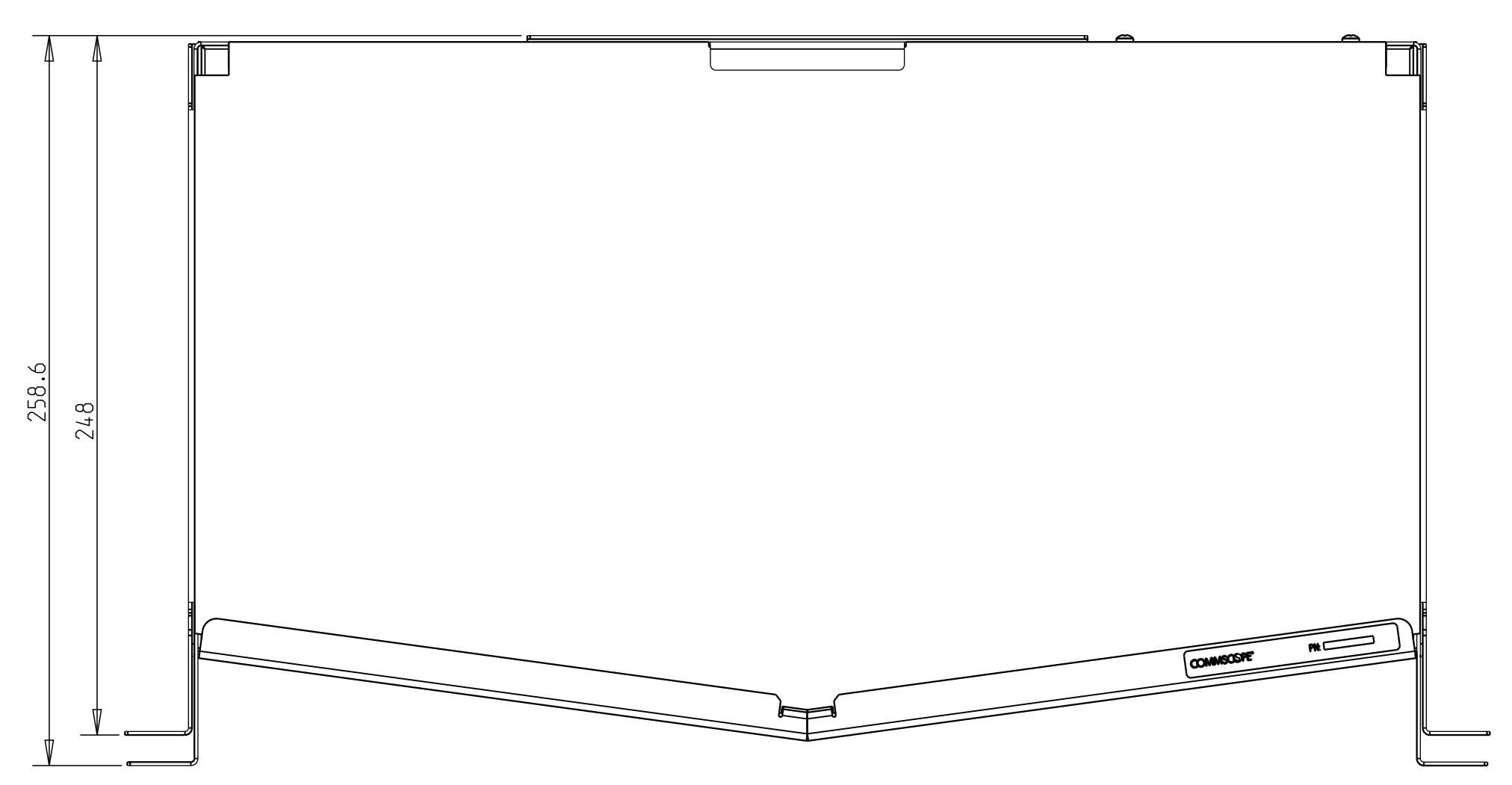
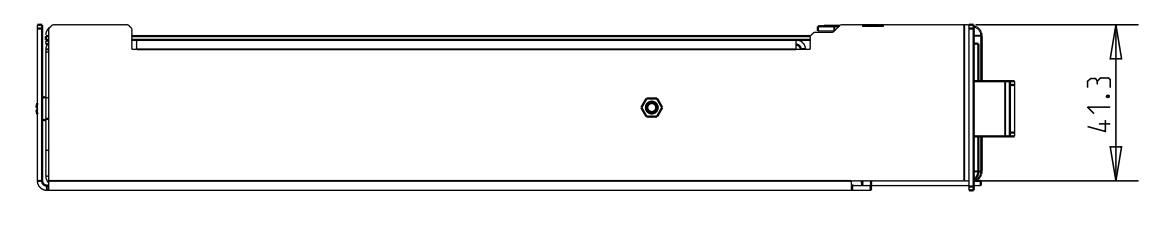


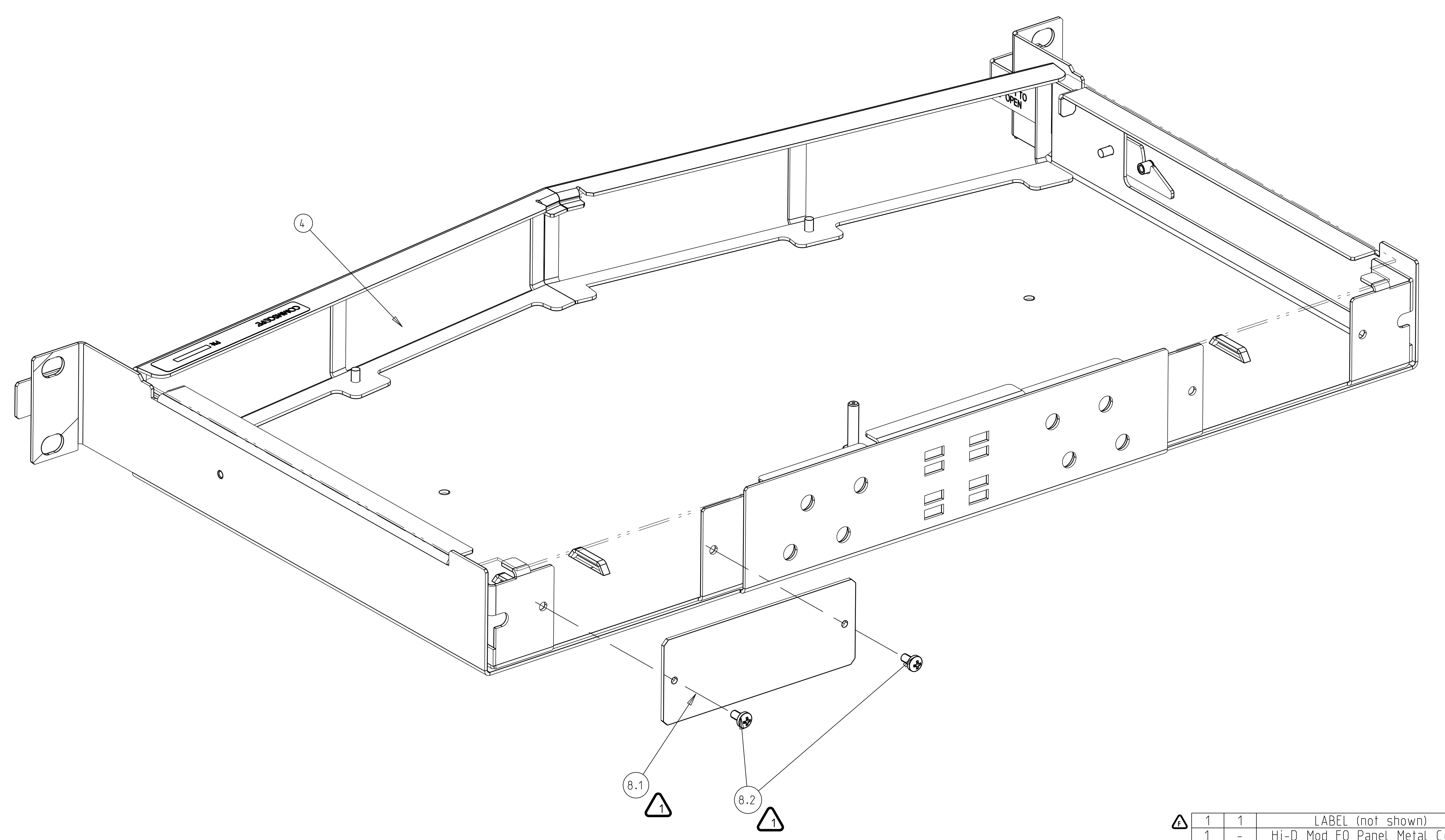
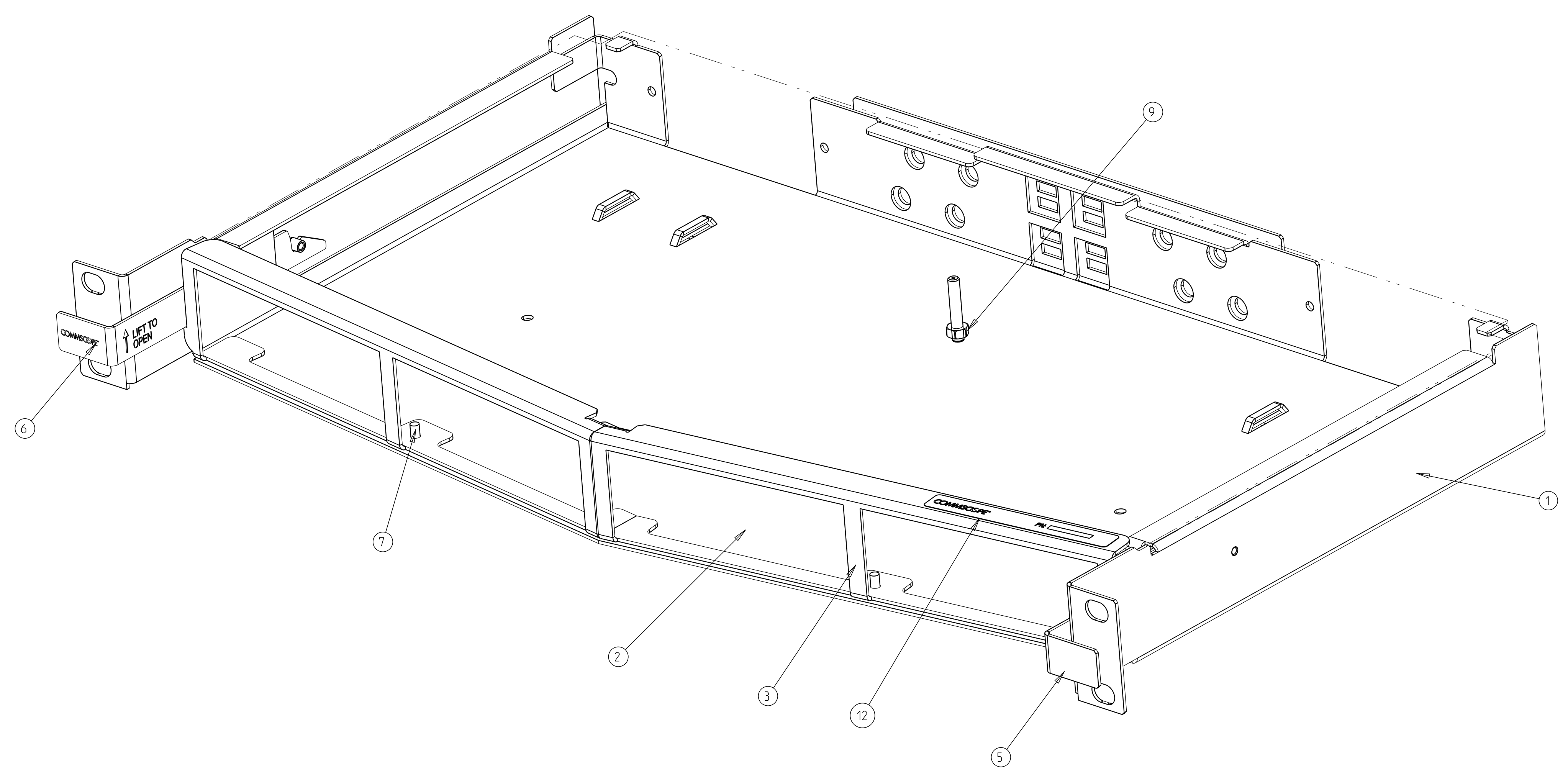
1-1671260-2 AMP Hi-D Modular FO panel with metal cover
Part N°



SCALE 0.500



1-1671260-1 AMP Hi-D Modular FO panel with plastic cover
Part N°



REV	DATE	DESCRIPTION	BY	CHK
1	00			
G	10DEC2016	ECN 8000018048 REBRANDING	RER	SC
E	14JAN2012	ECR-12-010879 Removed rivets	HB	DT
F	15JAN2013	ECR-13-000687	HB	DT
F1	09MAR2013	Position of the label added	ADV	HB

QTY	DESCRIPTION	ITEM
1	LABEL (not shown)	12
1	Hi-D Mod FO Panel Metal Cover	11
1	Installation Instruction	10
1	Hexagon nut Din934 M4	9
2	Screw DIN7985 M3x6	8.2
1	Mod FO Blind Plate	8.1
4	Rivet 3.2 x 6.5-7.5 Al	7
1	Mod FO Panel lock left	6
1	Mod FO Panel lock right	5
-	Hi-D Mod FO Plastic Cover	4
1	Hi-D Mod FO Frontplate	3
1	Hi-D Mod FO Tray	2
1-2	Hi-D Mod FO Chassis	1

△ ITEMS 8.1, 8.2 ARE PACKED IN A PLASTIC BAG

THIS DRAWING IS A CONTROLLED DOCUMENT. DATE: 27FEB2009

COMMScope, INC. HI-D-MODULAR FO PANEL

SCALE: 1:1

CUSTOMER DRAWING