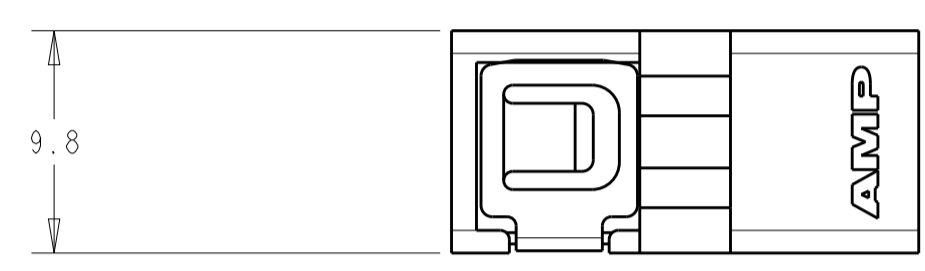
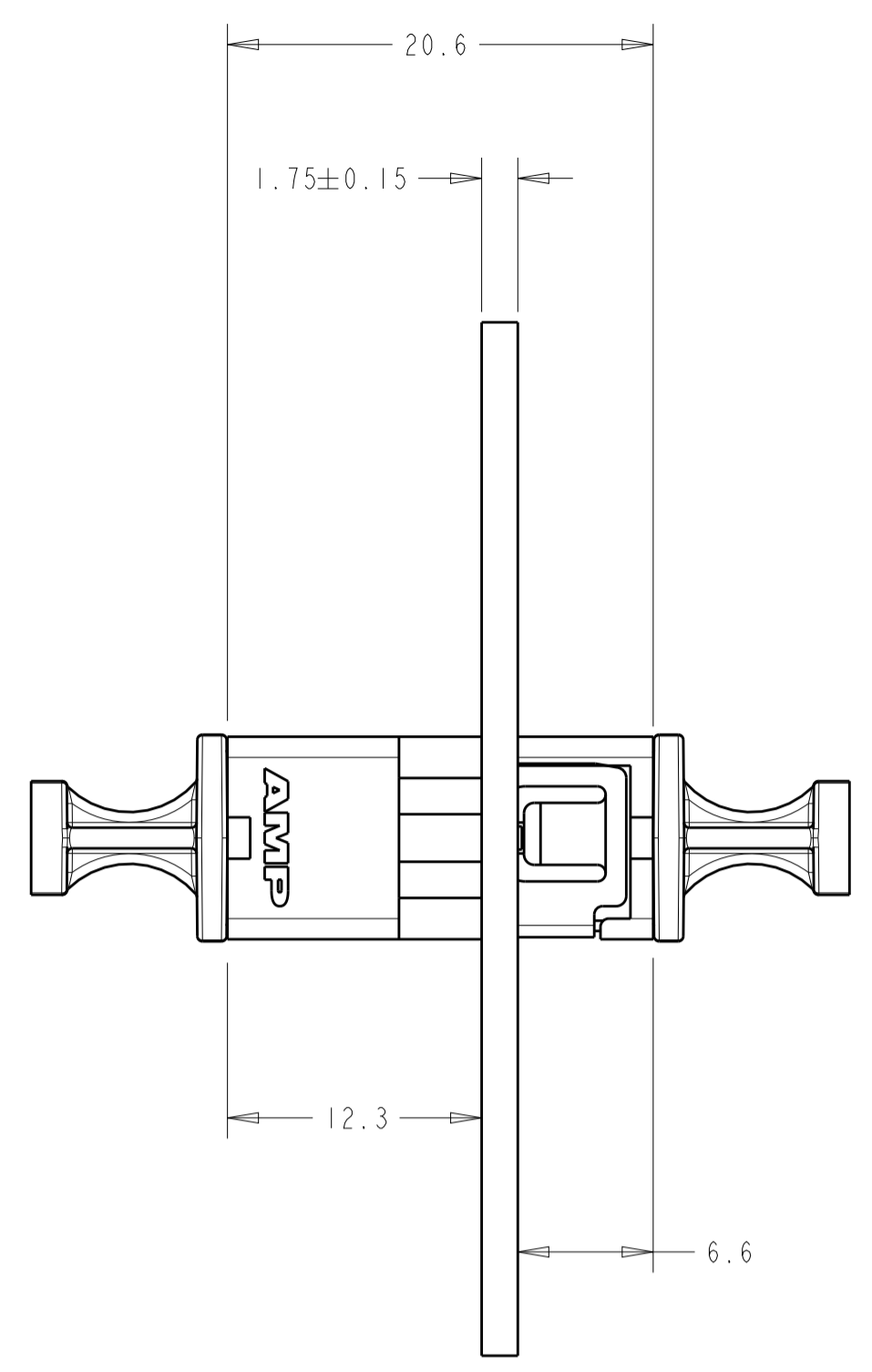
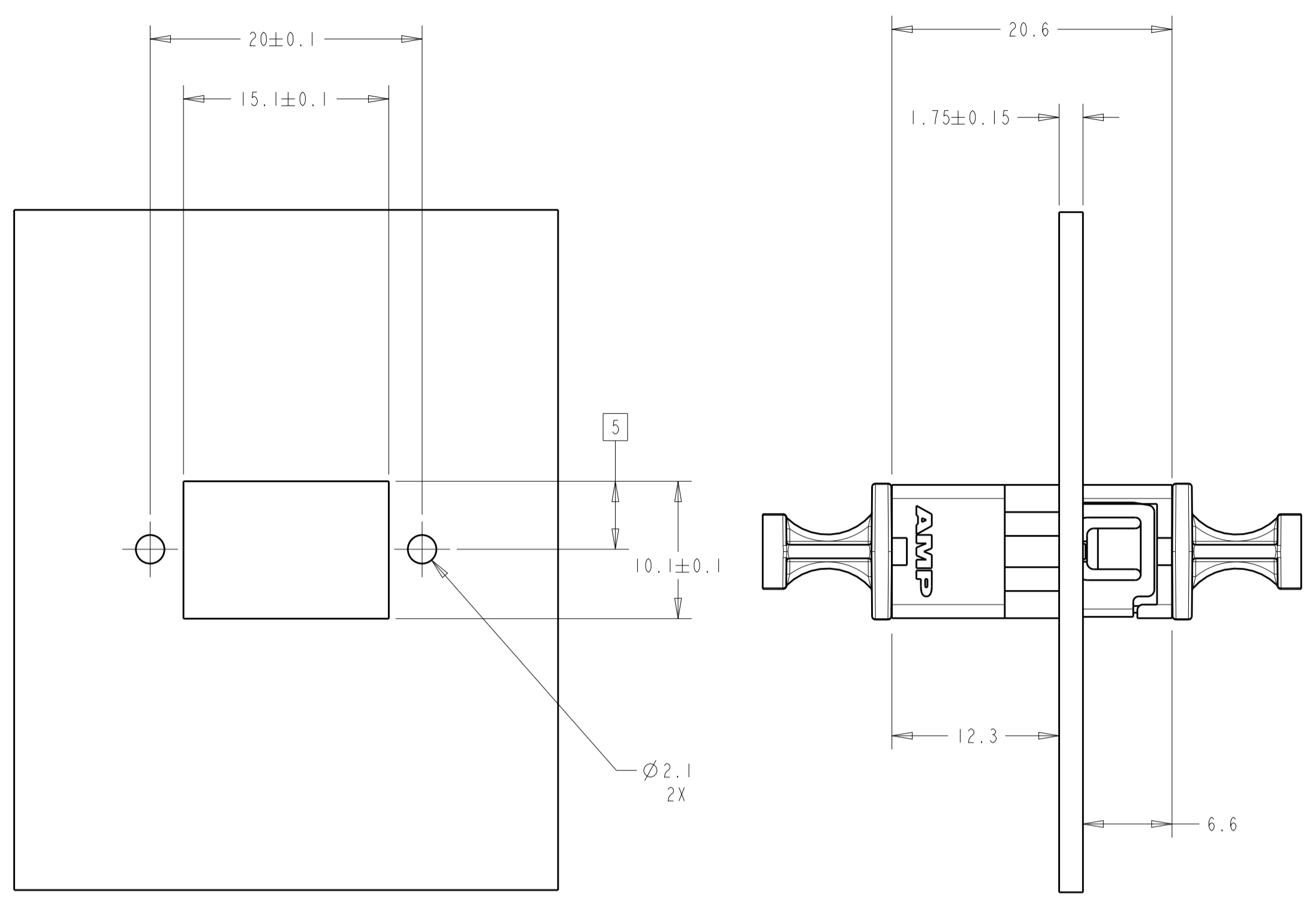
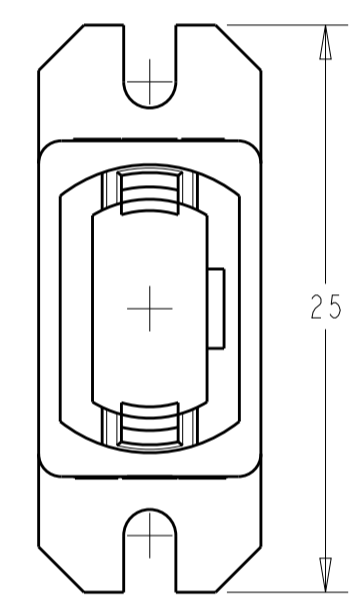
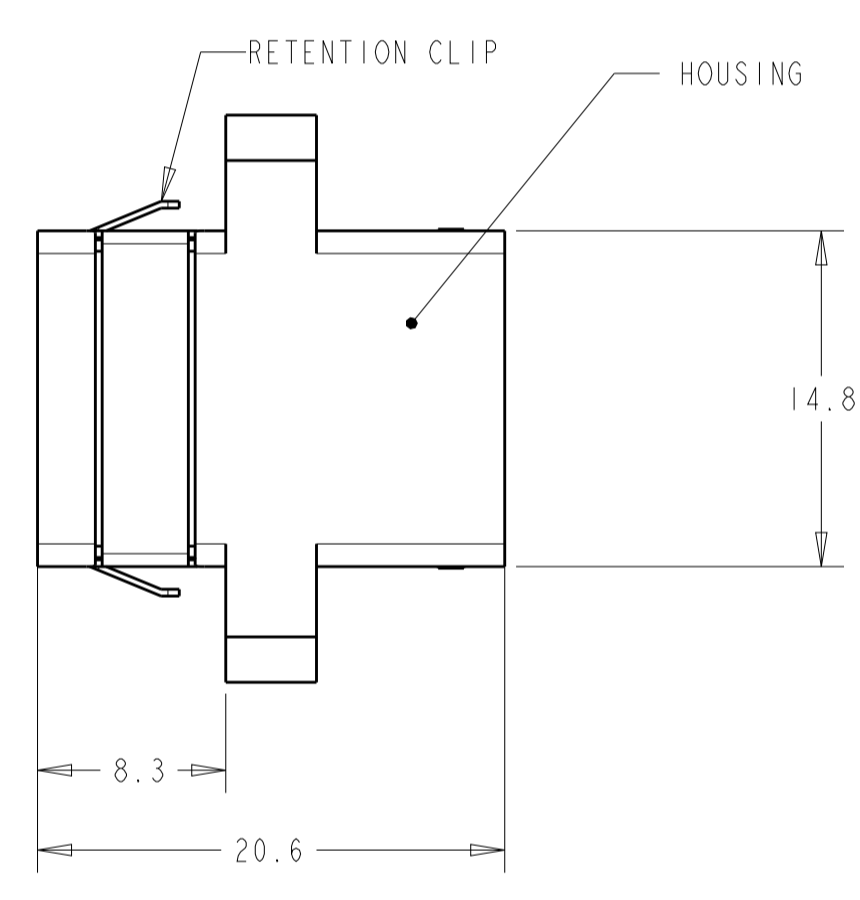
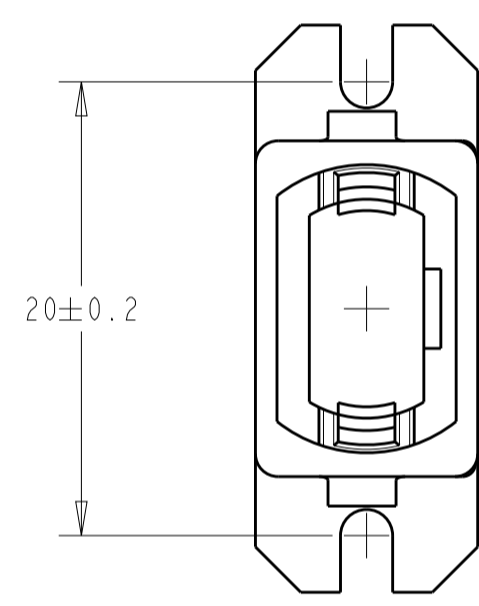


LOC	DIST	REVISIONS					
		P	LTN	DESCRIPTION	DATE	DWN	APVD
CE	16	F		REV: ECO-13-008210	20MAY2013	GG	TE
		G		REV: ECO-13-008637	22MAY2013	GG	TE

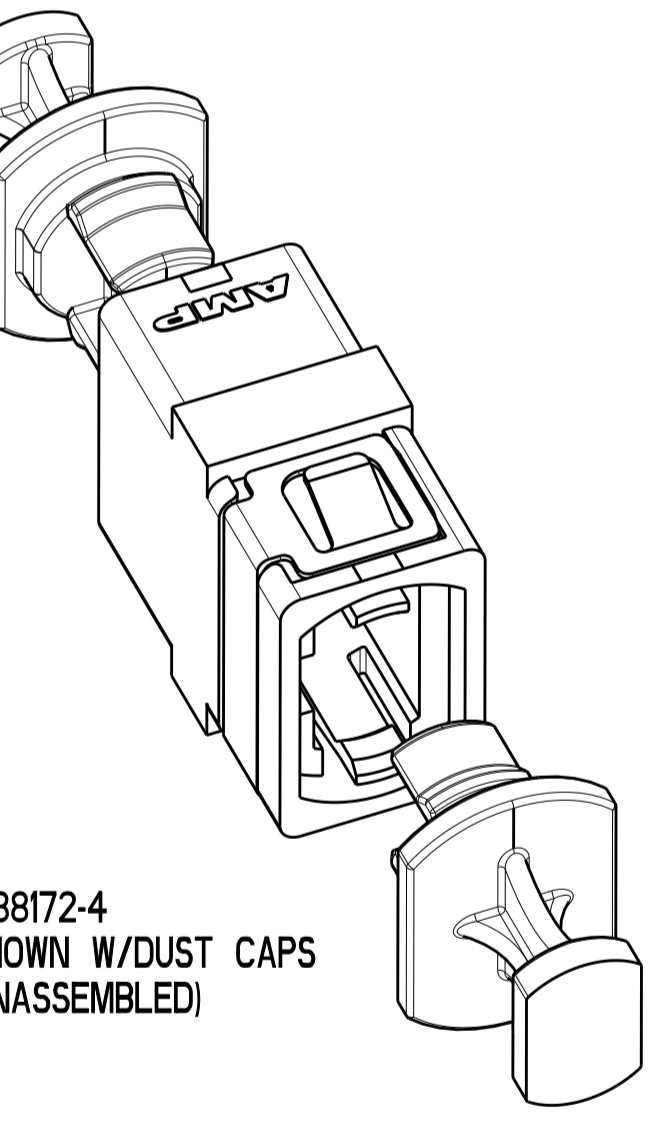
- NOTES:
1. MOUNTS IN 1.75mm BULKHEAD.
  2. (OPTIONAL) USE #2 SCREWS AND NUTS (NOT PROVIDED).
  3. MEETS THE ADAPTER INTERFACE DIMENSIONS AS SPECIFIED IN IEC 61754-7.
  4. COLOR: BLACK
- △ BULK PACK 50 PCS.



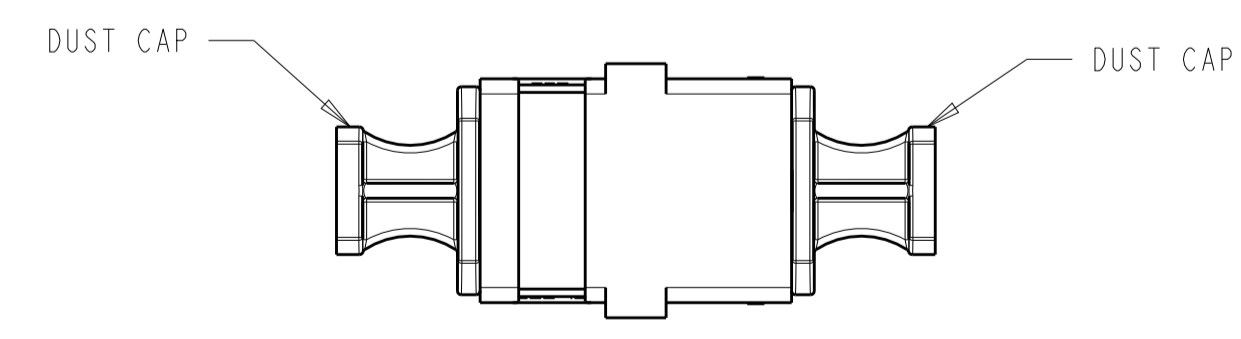
RECOMMENDED PANEL CUT-OUT



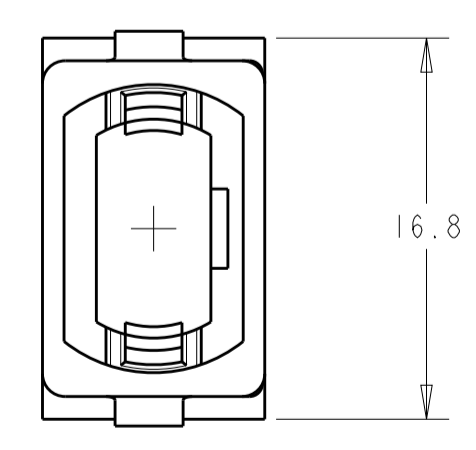
1588172-2  
SHOWN W/DUST CAPS  
(UNASSEMBLED)



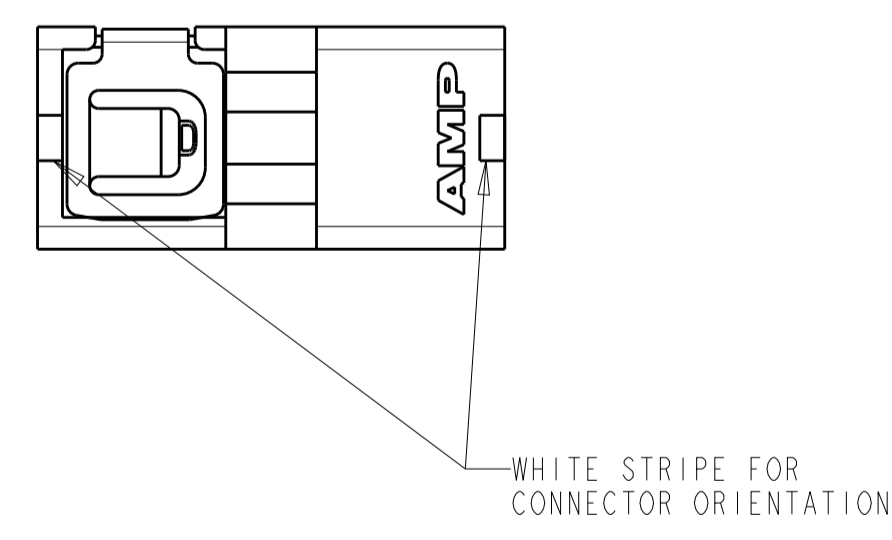
1588172-4  
SHOWN W/DUST CAPS  
(UNASSEMBLED)



1588172-3  
(WITHOUT FLANGE)  
SHOWN W/DUST CAPS  
ASSEMBLED



1588172-3  
(WITHOUT FLANGE)  
1588172-4  
(WITHOUT FLANGE)  
(WITH CLIP)



DESCRIPTION	PART NO.
△ MPO ADAPTER W/O FLANGE	1-1588172-1
△ MPO ADAPTER W/FLANGE	1-1588172-0
△ MPO ADAPTER W/FLANGE, AND CLIP	1588172-9
△ MPO ADAPTER W/O FLANGE W/ CLIP	1588172-8
△ MPO ADAPTER W/O FLANGE	1588172-7
△ MPO ADAPTER W/ FLANGE AND CLIP	1588172-6
△ MPO ADAPTER W/ FLANGE	1588172-5
△ MPO ADAPTER W/O FLANGE AND W/CLIP	1588172-4
△ MPO ADAPTER W/O FLANGE	1588172-3
△ MPO ADAPTER W/FLANGE, AND CLIP	1588172-2
△ MPO ADAPTER W/FLANGE	1588172-1

THIS DRAWING IS A CONTROLLED DOCUMENT.

DIMENSIONS: mm

TOLERANCES UNLESS OTHERWISE SPECIFIED:

0 PLC	±
1 PLC	±.1
2 PLC	±.05
3 PLC	±
4 PLC	±
ANGLES	±

MATERIAL: - FINISH: -

Customer Drawing

DWN: LG\_EBY 06DEC2001  
 CHK: D.ROHDE 06DEC2001  
 APVD: F.ABENDSCHEIN 06DEC2001

NAME: MPO ADAPTER ASSY, RETENTION CLIP AND PANEL ASSY.

SIZE: A1 CAGE CODE: 00779 DRAWING NO: 1588172

RESTRICTED TO: -

SCALE: NTS SHEET 1 OF 1 REV: G

TE Connectivity