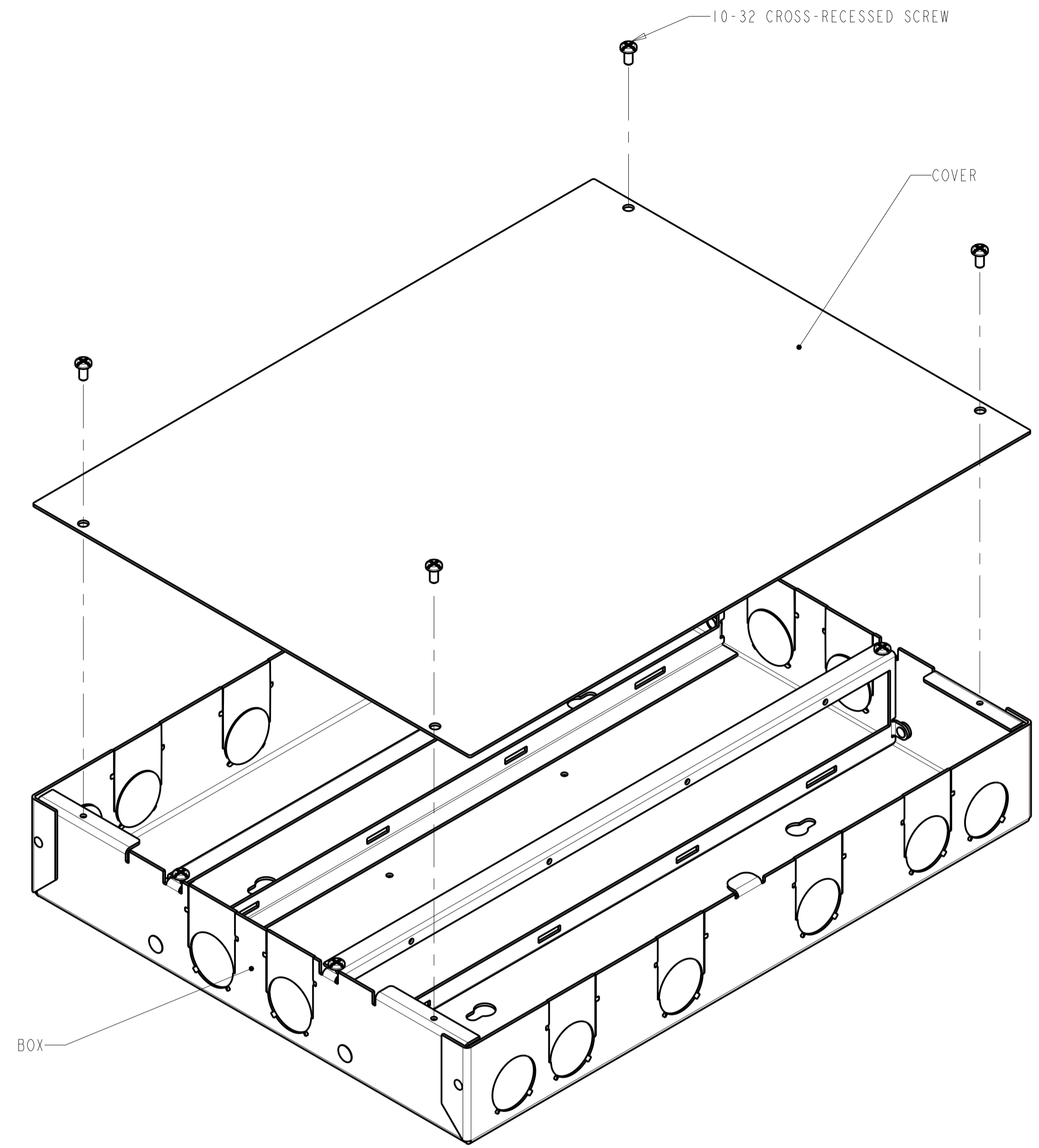
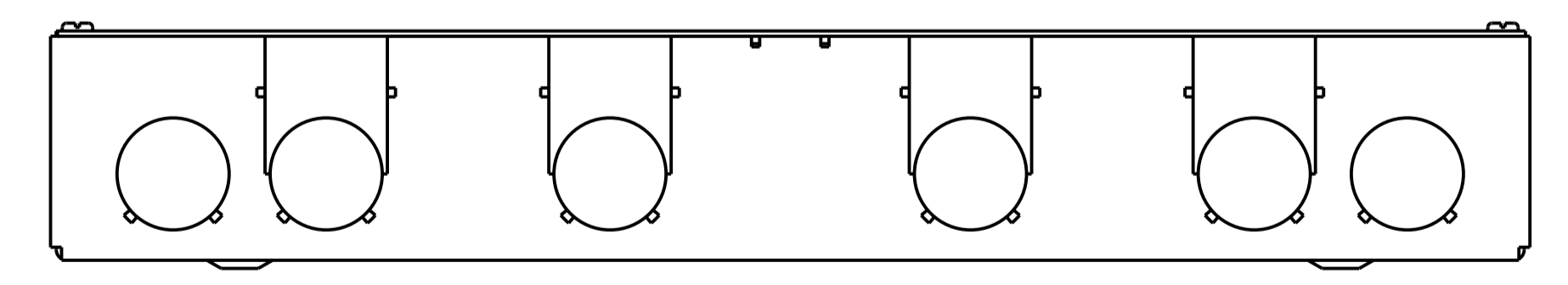
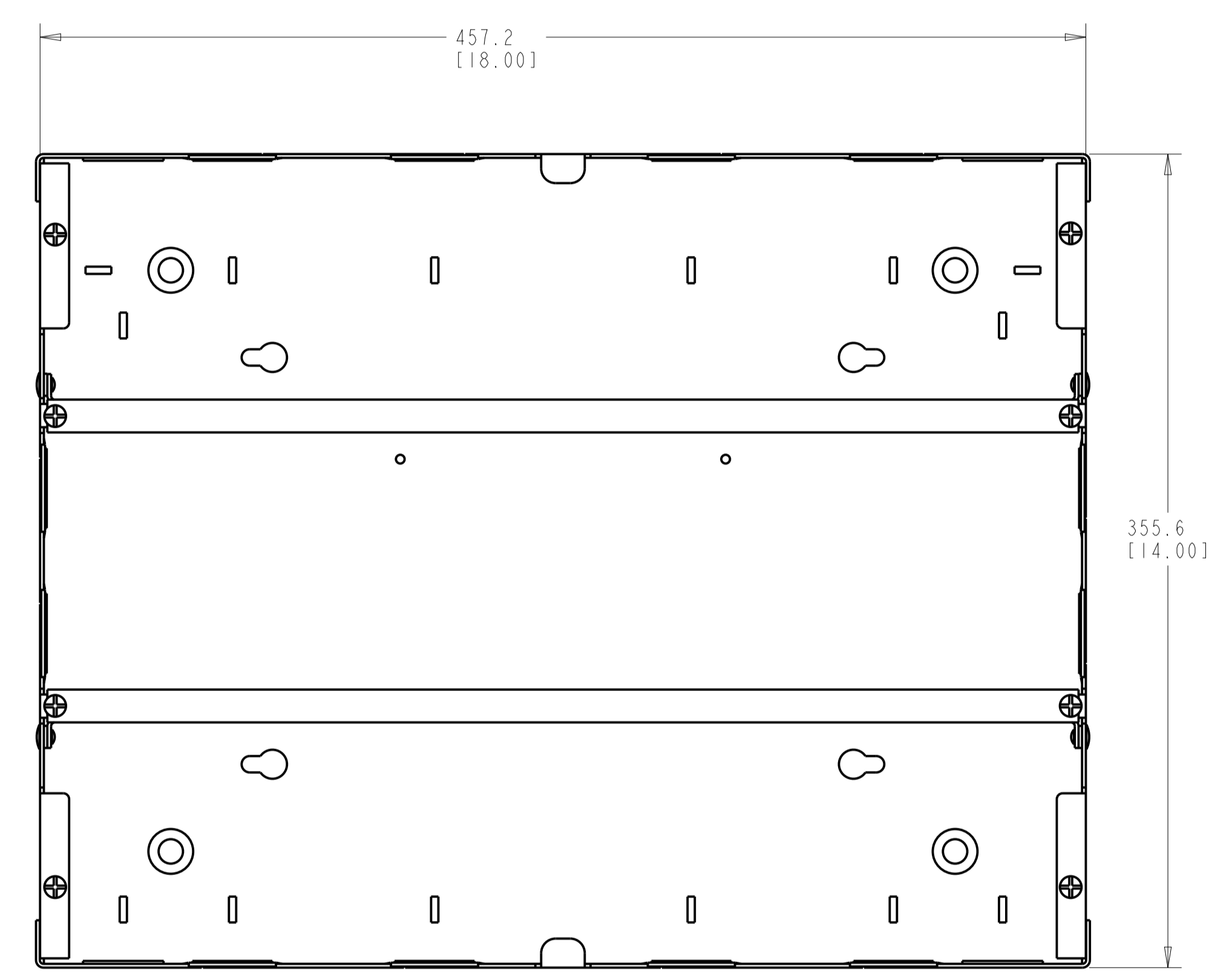
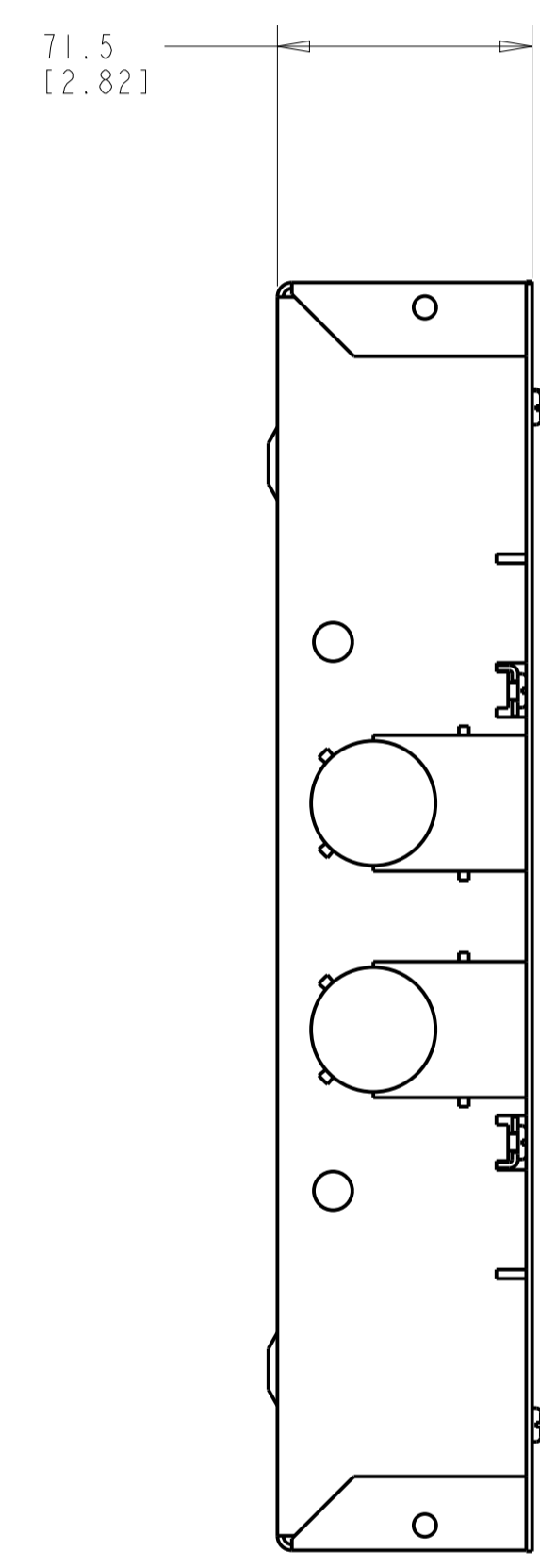


REVISIONS				
P.	LTN	DESCRIPTION	DATE	APP'D
0		RELEASED PER NPR NSDO2-085	25SEP02	TLP SH
A		REV PER BNS_CD.BRAND	08FEB2017	GG DC



- 1 MATERIAL:  
 BOX, SUPPORT AND COVER - PREGALVANIZED, CARBON STEEL.  
 CROSS-RECESSED SCREW - CARBON STEEL, ZINC PLATED.
- 2 25.4 [1.00] TRADE SIZE KNOT, 34.9 [1.375] DIAMETER.
3. INSTRUCTION SHEET AND GROMMET STRIP NOT SHOWN.
4. PRODUCT SHIPPED ASSEMBLED.



1479322-1  
 PART NO.

THIS DRAWING IS A CONTROLLED DOCUMENT.		DWN T. PITTS	25SEP02	NAME <b>COMMSCOPE, INC.</b>
DIMENSIONS: MM [INCHES]		CHK L. SMITH	25SEP02	
TOLERANCES UNLESS OTHERWISE SPECIFIED:		APVD S. HERNDON	25SEP02	CONSOLIDATION POINT ASSEMBLY, DUAL SUPPORT, CENTER FEED
0 PLC	±	PRODUCT SPEC		
1 PLC	±	APPLICATION SPEC		SIZE A1
2 PLC	±	WEIGHT		CAGE CODE C=1479322
3 PLC	±	CUSTOMER DRAWING		SCALE 1:2
4 PLC	±			SHEET 1 OF 1
ANGLES	±			REV A