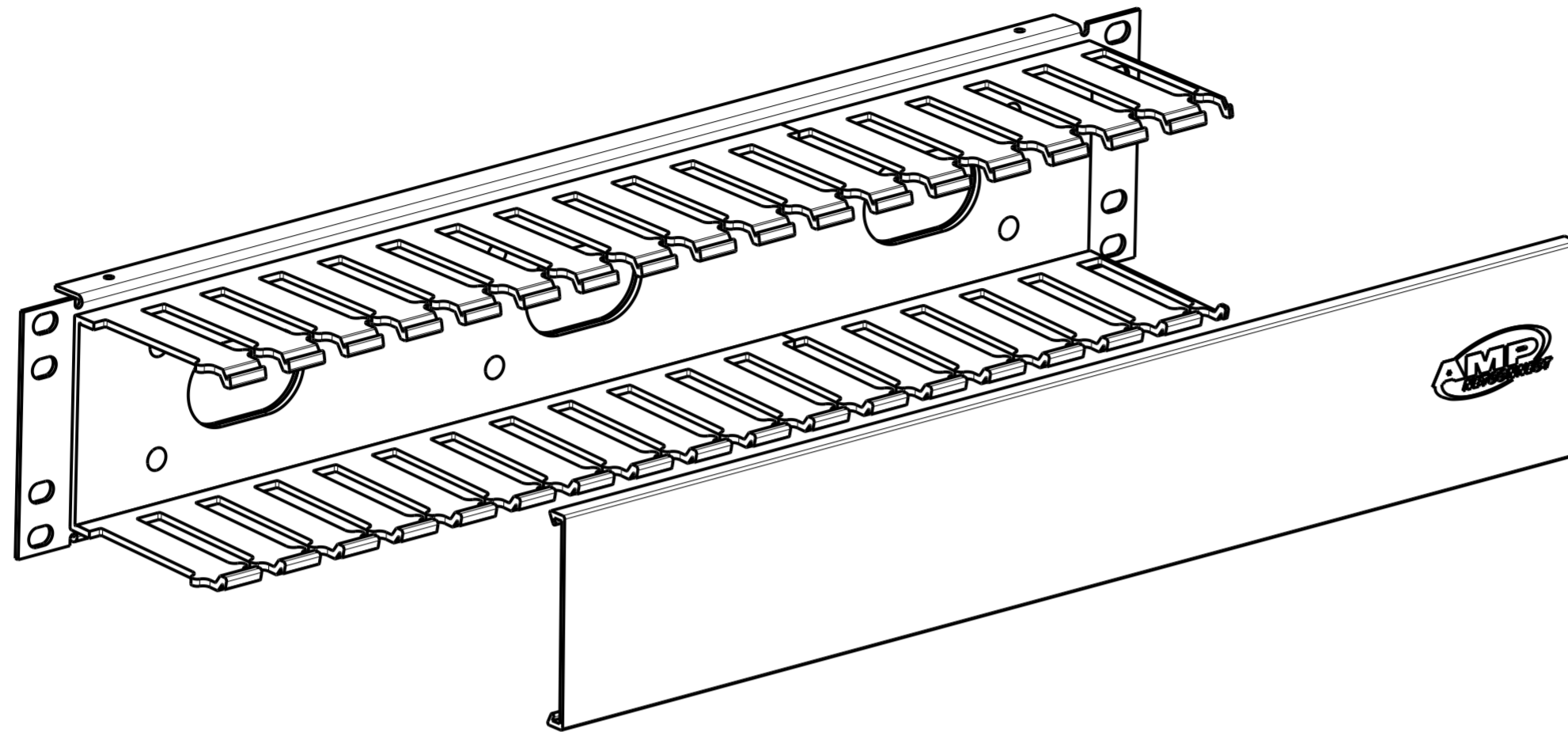
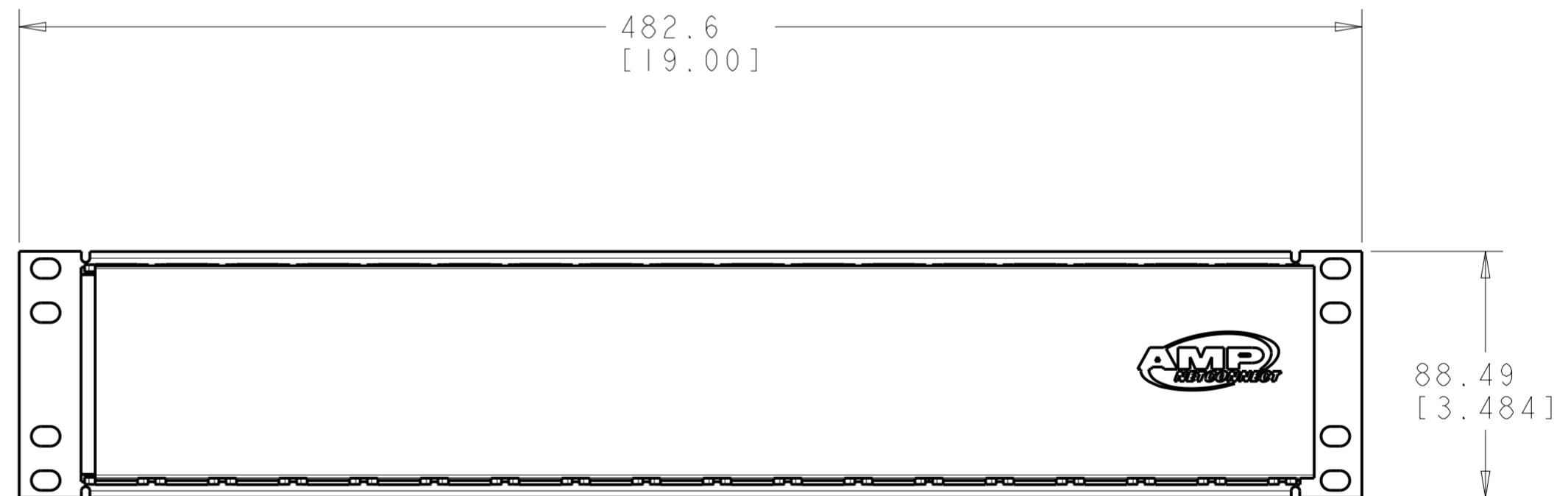
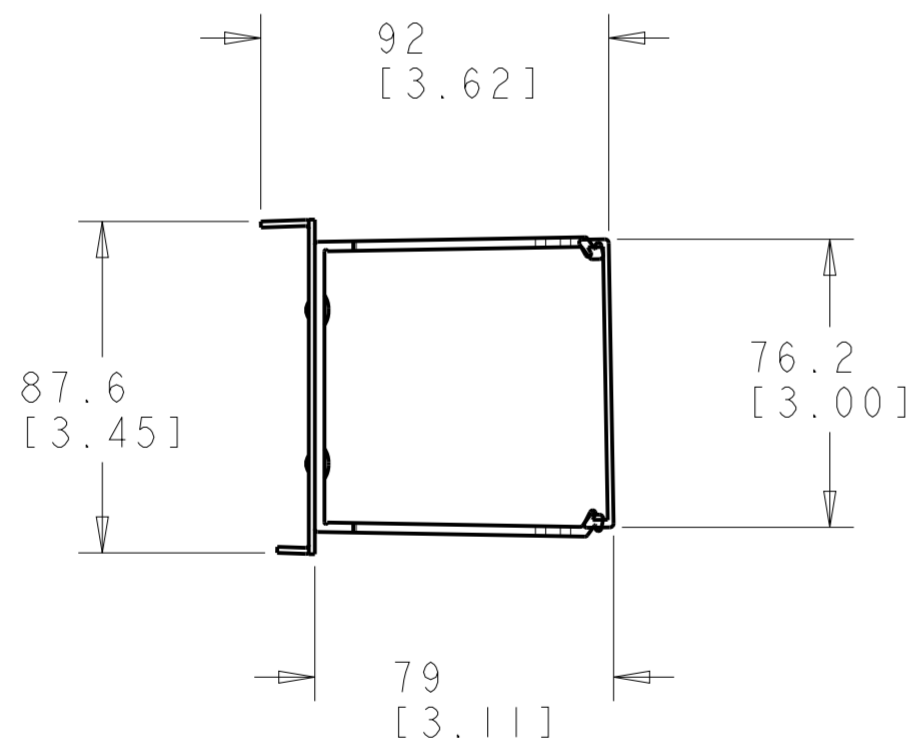


THIS DRAWING IS UNPUBLISHED. RELEASED FOR PUBLICATION
 © 2016 COMMSCOPE, INC. CONFIDENTIAL NOTICE: THESE DRAWINGS AND SPECIFICATIONS ARE THE PROPRIETARY PROPERTY OF COMMSCOPE, INC. AND MAY BE USED ONLY FOR THE SPECIFIC PURPOSE AUTHORIZED IN WRITING BY COMMSCOPE, INC.

REVISIONS				
P	LTR	DESCRIPTION	DATE	APVD
	D	REV PER BNS_CD_BRAND	09FEB2017	GG DC



- 1. MATERIAL: MATERIAL: ASSEMBLY - BLACK POWDER COAT CARBON STEEL, AND PVC, BLACK, MATTE FINISH.
- 2. ALL DIMENSIONS ARE NOMINAL UNLESS OTHERWISE NOTED.



511.18 [20.125]	1375163-2
438.15 [17.25]	1375163-1
FRONT COVER LENGTH	PART NUMBER

THIS DRAWING IS A CONTROLLED DOCUMENT.		DWN L SMITH 19 JUL 2000	COMMSCOPE, INC.		
DIMENSIONS: INCHES		CHK S HERNDON 19 JUL 2000			
TOLERANCES UNLESS OTHERWISE SPECIFIED:		APVD B DAVIS 19 JUL 2000			
0 PLC ± 1 PLC ± 2 PLC ± 3 PLC ± 4 PLC ± ANGLES ± FINISH -		PRODUCT SPEC -	NAME PANEL, CABLE MANAGEMENT, 3.5 D		
MATERIAL -		APPLICATION SPEC -	SIZE A2	CAGE CODE C-1375163	RESTRICTED TO -
		WEIGHT -	SCALE 1:2	SHEET 1 OF 1	REV D
CUSTOMER DRAWING					