

## Connectors for cable HJ5-50 (7/8")

Bulletin II-107552-EN

Figures show N type connectors

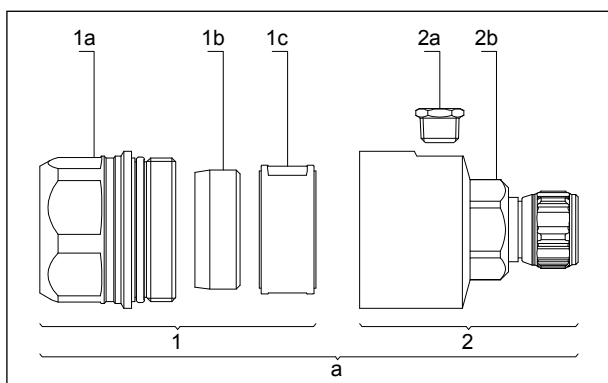
CommScope Infrastructure Academy offers installation training.



M36267b

These instructions were written for qualified and experienced personnel. Please read them carefully before starting work. Any liability or responsibility for the results of improper or unsafe installation practices is disclaimed! Please respect valid environmental regulations for assembly and waste disposal!

Fig. 1



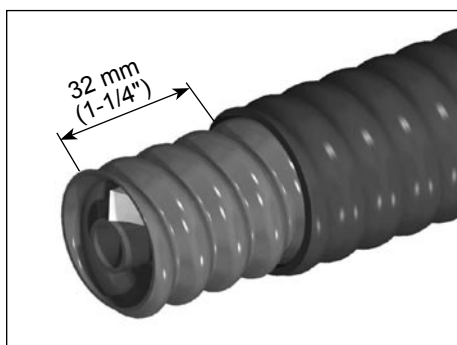
### Tools and Materials

Measuring tape (with mm graduations), cable knife, saw, flat file, flat pliers, metal shears, scraper, open-ended spanner 24 mm (15/16"), 36 mm (1-7/16"), open-ended spanner 11 mm (7/16") for gas inlet cover, 2,5 mm (3/32") drill bit, hammer, plastic hammer or flaring rod (hard wood).

### Connector disassembly, Fig. 1

- a) Disassembly of connector.
  - 1 Connector back end
  - 1a Fitting sleeve
  - 1b Sealing
  - 1c Clamping ring
  - 2 Connector head
  - 2a Gas inlet screw (1/8" NPT)
  - 2b Connector outer conductor

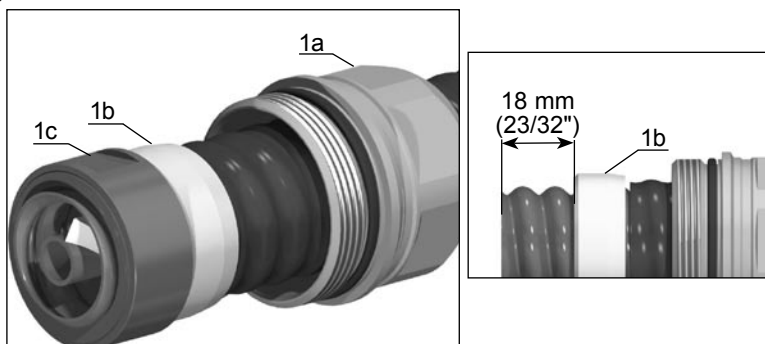
Fig. 2



### Cable trimming, Fig. 2

- b) Clean cable end and saw it off rectangular to cable axis.
  - Caution:** Do not deform cable while trimming! Cut back cable jacket. Please observe that no metal particles get inside of the cable. It is recommended to seal the cable inside with a cloth temporarily. Deburr sawing edges! Remove all metal particles!

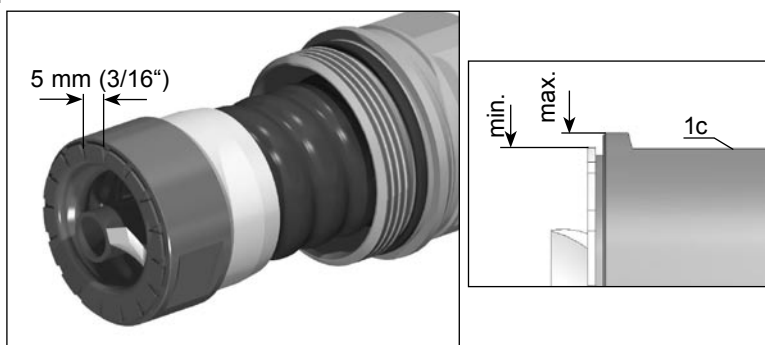
Fig. 3



### Preparing of outer conductor, Fig. 3

- c) Slide part (1a) over the cable.
- d) Screw part (1b) onto outer conductor close against jacket.
  - Check smooth fit of part (1b) in the cable corrugation.
- e) Screw part (1c) against part (1b)

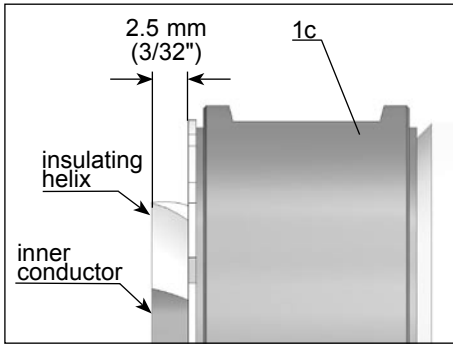
Fig. 4



### Flaring of outer conductor, Fig. 4

- f) Cut slits in the protruding outer conductor in axial direction until part (1c). The spacing of the slits shall be approx. 5 mm (3/16"). Flare outer conductor segments outwards against part (1c). Use flaring rod (hard wood). The flared cable outer conductor must be equally thick, if not it can be obtained by finishing this flared area with a file. The flared segments that exceed the diameter of part (1c) must be cut back with metal shears or flat file.

Fig. 5

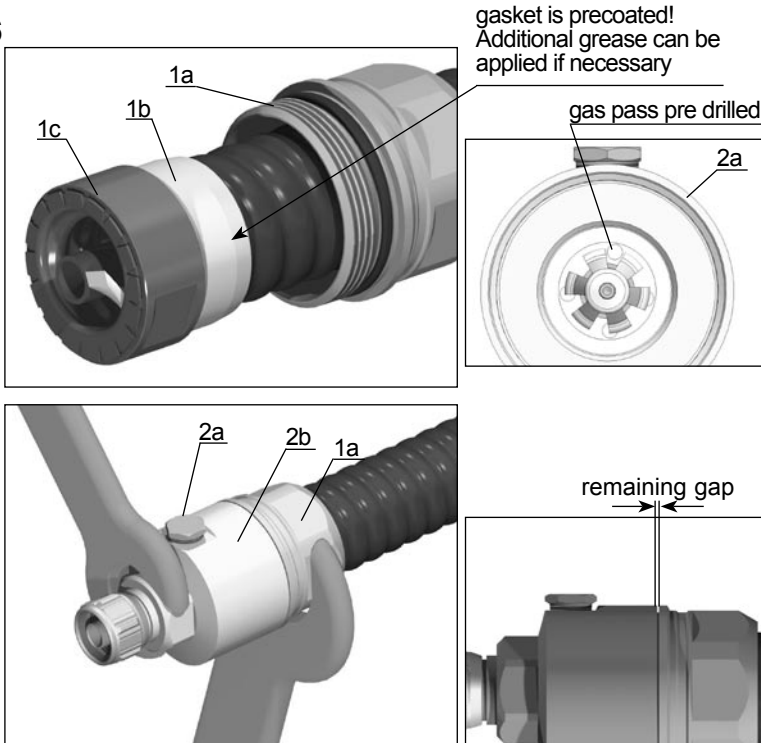


**Preparing of inner conductor, Fig. 5**

- g) Deburr inner conductor. The protruding insulation helix must be even with the inner conductor.

**Caution:** Observe that the cloth has been removed after trimming!

Fig. 6



**Fitting of connector head, Fig. 6**

- h) If a gas pass connector is needed drill through pre drilled hole in the insulator with 2.5 mm (3/32") drill bit. Depending on connector interface the pre drill can be on front or back side of connector.
- i) Slide part (1a) onto parts (1b) and (1c). Screw (2b) onto part (1a) of prepared cable end. Tightly and equally screw together part (2b) and part (1a) with open-ended spanners 24 mm (15/16") and 36 mm (1-7/16"). Make sure to turn only part (1a). Torque 40 Nm (30 ft.-lb.) approx. At correct installation a small gap will remain between part (2b) and part (1a).

**Gas inlet (if required), Fig. 6**

- j) Remove the part (2a) and install a suitable tube adapter.

Notice: CommScope disclaims any liability or responsibility for the results of improper or unsafe installation, inspection, maintenance, or removal practices.

50 部件名称/Component Name	有毒有害物质或元素/Toxic or Hazardous Substances and Elements						产品在正常使用条件下, 其环保使用期限才在此标识有效期内. / The environmental protection use period is valid if the product is used as intended.
	铅/Pb	汞/Hg	镉/Cd	六价铬/Cr 6+	多溴联苯/PBB	多溴二噁醚/PBDE	
金属零件/metal parts	X	O	O	O	O	O	