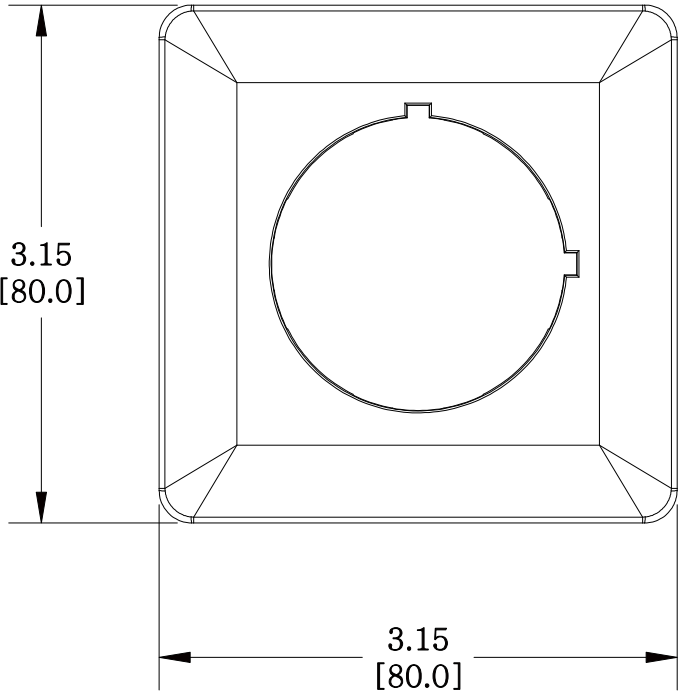
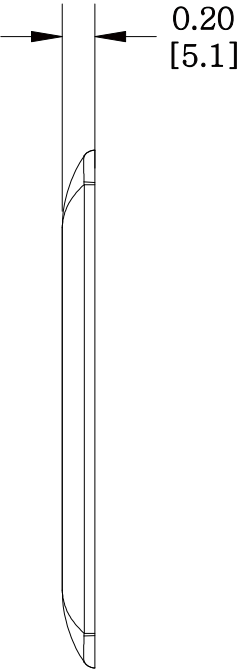


MATERIAL ID	DESCRIPTION
106720212	FLUSH MOUNT COVERPLATE, IVORY

NOTES:

1. SEE COMMSCOPE CATALOG FOR PART NUMBER SUFFIXES TO INDICATE COLOR/PKG.
2. SEE COMMSCOPE CATALOG FOR COMPLETE LIST OF PARTS RELATED TO THE USE OF THIS PRODUCT.
3. DIMENSIONS IN PARENTHESES ARE IN METRIC.
4. PART INCLUDES:
(1) FLUSH MOUNT COVER PLATE



M02714-246	
COMMSCOPE, INC OF NORTH CAROLINA	
DRAWN BY TZ	DWG NO 106720212
DATE 8/10/2012	

REV	DATE	ECR	DESCRIPTION	APPROVED BY
1	8/10/12		INITIAL ISSUE	