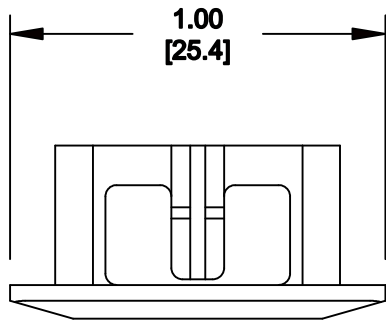
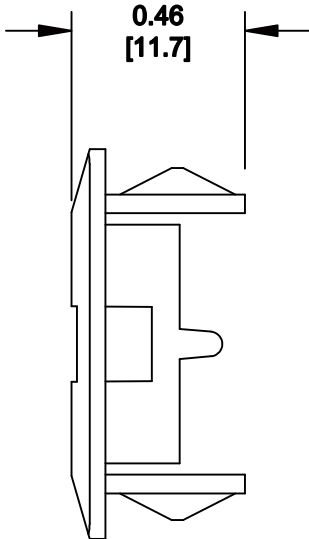
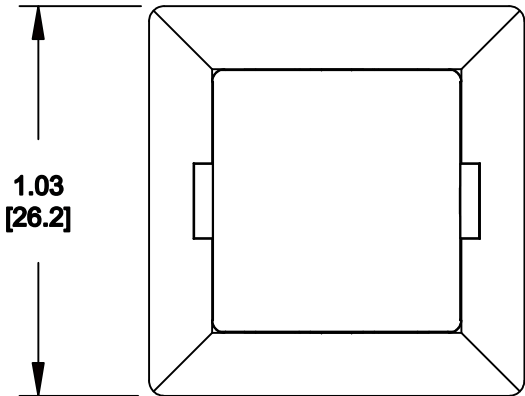


MATERIAL ID	DESCRIPTION
106664147	RECTANGULAR MOUNTING COLLAR, WHITE



NOTES:

1. SEE SYSTIMAX CATALOG FOR PART NUMBER SUFFIXES TO INDICATE COLOR/PKG.
2. SEE SYSTIMAX CATALOG FOR COMPLETE LIST OF PARTS RELATED TO THE USE OF THIS PRODUCT.
3. DIMENSIONS IN PARENTHESES ARE IN METRIC.
4. PART INCLUDES:
(1) MOUNTING COLLAR



M30MC-262	
COMMScope, INC OF NORTH CAROLINA	
SYSTIMAX® SOLUTIONS	
DRAWN BY TZ	
DATE 5/24/2011	DWG NO 106664147

REV	DATE	ECR	DESCRIPTION	APPROVED BY
1	5/24/11		INITIAL ISSUE	JL