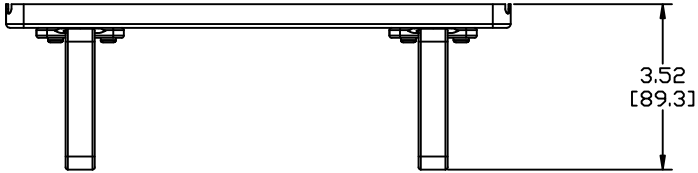
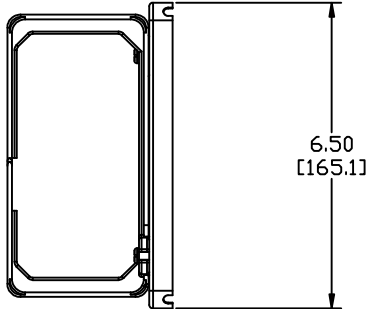
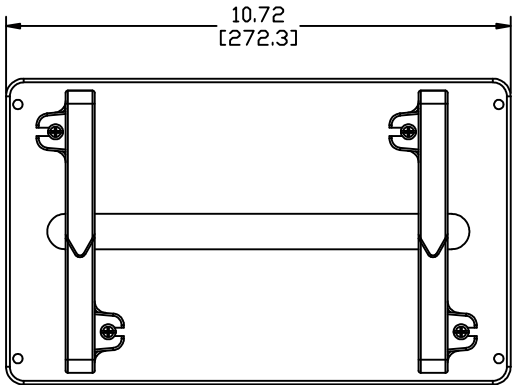


MATERIAL ID	DESCRIPTION
102689569	188B1 BACKBOARD ASSEMBLY



NOTES:

1. SEE COMMSCOPE CATALOG FOR PART NUMBER SUFFIXES TO INDICATE COLOR/PKG.
2. SEE COMMSCOPE CATALOG FOR COMPLETE LIST OF PARTS RELATED TO THE USE OF THIS PRODUCT.
3. DIMENSIONS IN PARENTHESES ARE IN METRIC.
4. PART INCLUDES:
(1)188B1 BACKBOARD ASSEMBLY



188B1	
COMMSCOPE, INC OF NORTH CAROLINA	
DRAWN BY JW	
APPROVED BY	DATE 7/13/2010
	DWG NO 102689569

REV	DATE	ECR	DESCRIPTION	APPROVED BY
1	7/13/10		INITIAL ISSUE	