

Installation Instructions

Dual Pole Transition Installation, Polarisation Adjustment for Antennas



Bulletin 102300-1 page 1 of 2

Version 03 StatusRE Rev L

Model Version 02 StatusRE Rev C

Andrew Institute offers installation training.

Description

This Transition Assembly in conjunction with the Feed Assembly is designed to be mounted into the reflector of a ValuLine antenna.

IMPORTANT

Transition to be fitted to feed assembly prior to any waveguide or feeder cables being attached to the antenna

Notice

The installation, maintenance, or removal of antenna systems requires qualified, experienced personnel. Andrew installation instructions have been written for such personnel. Antenna systems should be inspected once a year by qualified personnel to verify proper installation, maintenance, and condition of equipment.

Andrew disclaims any liability or responsibility for the results of improper or unsafe installation practices.



Warning: Use protective wear to avoid skin contact with the compound. Keep away from mouth. Wash thoroughly after use with liberal amounts of liquid soap and rinse with water. Do not store open near food or food sources. Contents: oil, clay, and zinc dust.

Table 1. Parts List

Item	Description	Qty
1	O-Ring	1
2	Transition	1
3	M8 Skt Hd Cs'k Screw 16/20lg	2 #
4	Silicon Grease(tube)	1
5	Conductive grease(tube)	1
6	Glove	2

length depends on frequency

Table 2. Fastener Torque Specifications

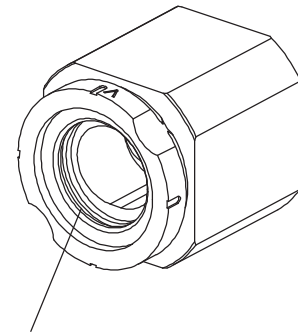
Fastener Torque value in N·m(lb-ft) for each fastener size

Size	M5	M6	M8	M10	M12	M16
Stainless	4.5	7.7	18.7	39.2	65.1	161
steel	(3.3)	(5.7)	(13.8)	(28.9)	(48)	(118.7)

1

FOR 6/ 7GHZ ASSEMBLIES ONLY

External profile features may vary depending on specific customer transition



IMPORTANT NOTE!
Assemble o-ring to transition and smear a small amount of silicon grease to o-ring prior to fitting transition to feed/antenna assembly.

Andrew Solutions

Customer Service 24 hours

U.S.A., Canada, Mexico: 1-800-255-1479
or 1-888-235-5732
U.K.: 0800 250055
Other Europe: +44 592 782 612

www.commscope.com/andrew

Visit our Web site at www.commscope.com/andrew or contact your local Andrew Solutions representative for more information.
© 2008 CommScope, Inc. All rights reserved.

Andrew Solutions is a trademark of CommScope. All trademarks identified by ® or ™ are registered trademarks or trademarks, respectively, of CommScope. This document is for planning purposes only and is not intended to modify or supplement any specifications or warranties relating to Andrew Solutions products or services.

Notice: Andrew disclaims any liability or responsibility for the results of improper or unsafe installation, inspection, maintenance, or removal practices.
Aviso: Andrews no acepta ninguna obligación ni responsabilidad como resultado de practicas incorrectas o peligrosas de instalacion, inspección, mantenimiento o retiro.
Avis : Andrew decline toute responsabilite pour les consequences de procedures d'installation, d'inspection, d'entretien ou de retrait incorrectes ou dangereuses.
Hinweis: Andrew lehnt jede Haftung Oder Verantwortung für Schaden ab, die aufgrund unsachgemaBer Installation, Überprufung, Wartung Oder Demontage auftreten.
Atencao: A Andrew abdica do direito de toda responsabilidade pelos resultados de praticas inadequadas e sem seguranca de instalacao, inspecao, manutengao ou remocao.
Awertenza: Andrew declina eventual! responsabilita denvanti dell'esecuzione di procedure di installazione, ispezione, manutenzione e smontaggio improprie o poco sicure.

注意：Andrew 公司申明對於不恰當或不安全的安裝、檢驗、維修或拆卸操作所導致的後果不負任何義務和責任



Installation Instructions

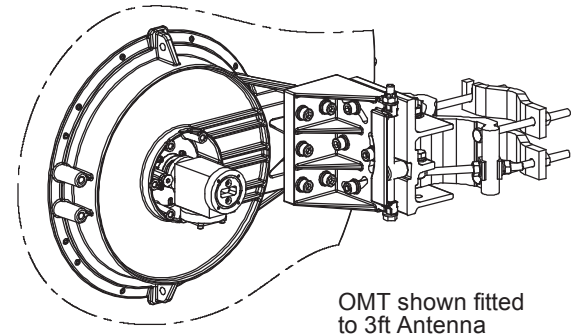
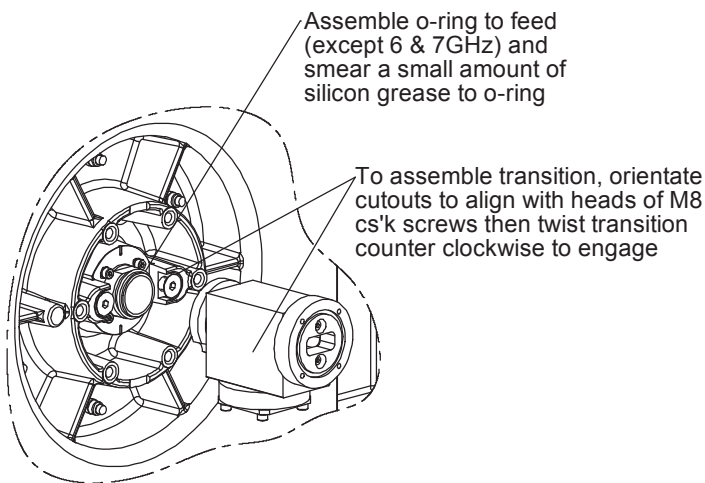
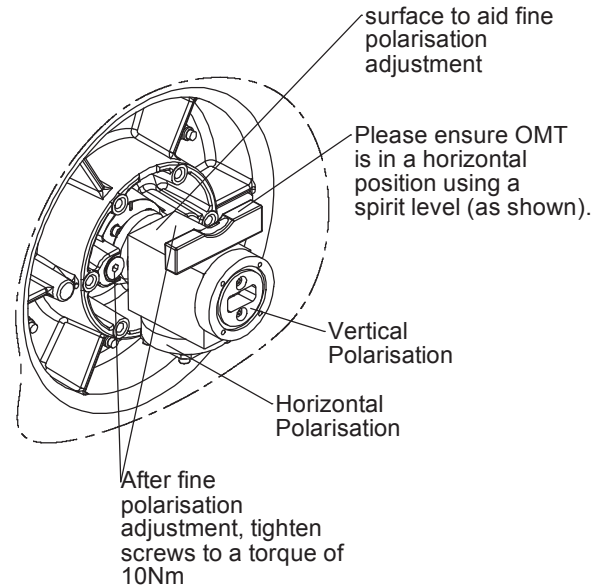
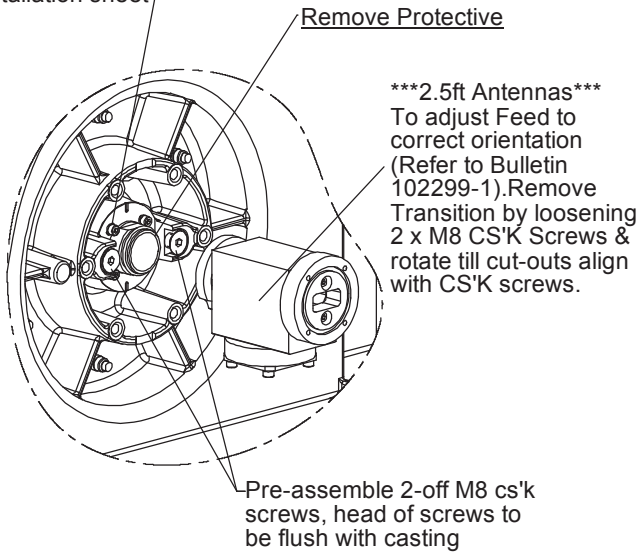
Dual Pole Transition Installation, Polarisation Adjustment for Antennas



2 Process steps listed in 2-4 are common for all frequencies.

4

Note: Method of securing feed assembly may vary, see separate Feed Installation sheet



Andrew Solutions

Customer Service 24 hours
U.S.A., Canada, Mexico: 1-800-255-1479
or 1-888-235-5732
U.K.: 0800 250055
Other Europe: +44 592 782 612

www.commscope.com/andrew

Visit our Web site at www.commscope.com/andrew or contact your local Andrew Solutions representative for more information.
© 2008 CommScope, Inc. All rights reserved.
Andrew Solutions is a trademark of CommScope. All trademarks identified by ® or ™ are registered trademarks or trademarks, respectively, of CommScope. This document is for planning purposes only and is not intended to modify or supplement any specifications or warranties relating to Andrew Solutions products or services.

Notice: Andrew disclaims any liability or responsibility for the results of improper or unsafe installation, inspection, maintenance, or removal practices.
Aviso: Andrews no acepta ninguna obligación ni responsabilidad como resultado de practicas incorrectas o peligrosas de instalacion, inspección, mantenimiento o retiro.
Avis : Andrew decline toute responsabilite pour les consequences de procedures d'installation, d'inspection, d'entretien ou de retrait incorrectes ou dangereuses.
Hinweis: Andrew lehnt jede Haftung Oder Verantwortung für Schaden ab, die aufgrund unsachgemaBer Installation, Überprufung, Wartung Oder Demontage auftreten.
Atencao: A Andrew abdica do direito de toda responsabilidade pelos resultados de praticas inadequadas e sem seguranca de instalacao, inspecao, manutengao ou remocao.
Awertenza: Andrew declina eventual! responsabilita denvanti dell'esecuzione di procedure di installazione, ispezione, manutenzione e smontaggio improprie o poco sicure.

注意：Andrew 公司申明對於不恰當或不安全的安裝、檢驗、維修或拆卸操作所導致的後果不負任何義務和責任

