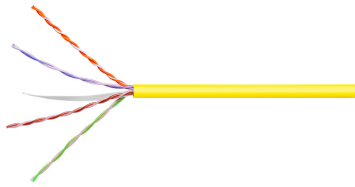


# UN874034184/30 | CS34P YEL C6 4/23 U/UTP RL 3KFT



CS34P ETL Verified Category 6 U/UTP Cable, plenum, yellow jacket, 4 pair count, 3000 ft (914 m) length, reel

## Product Classification

<b>Regional Availability</b>	North America
<b>Portfolio</b>	Uniprise®
<b>Product Type</b>	Twisted pair cable

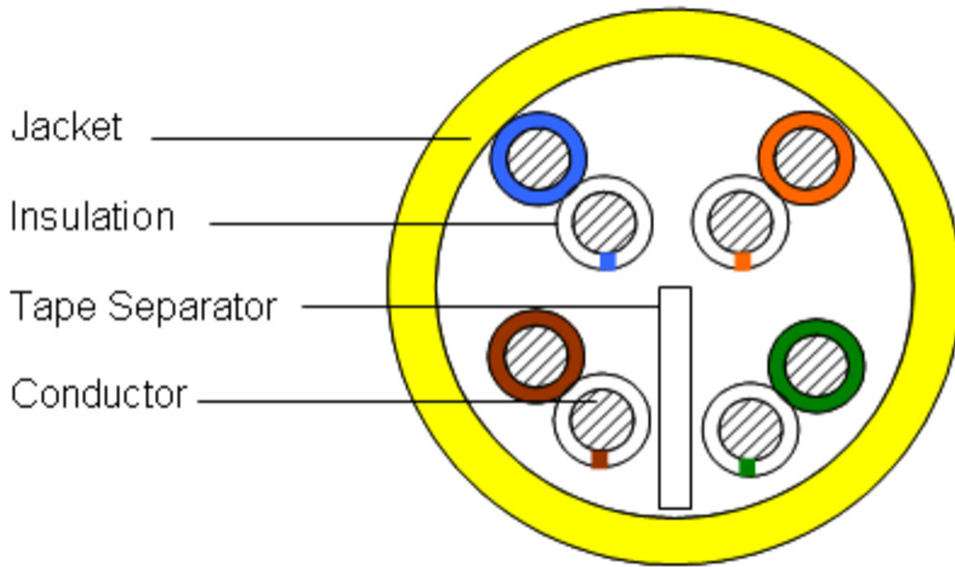
## General Specifications

<b>Product Number</b>	CS34P
<b>ANSI/TIA Category</b>	6
<b>Cable Component Type</b>	Horizontal
<b>Cable Type</b>	U/UTP (unshielded)
<b>Conductor Type, singles</b>	Solid
<b>Conductors, quantity</b>	8
<b>Jacket Color</b>	Yellow
<b>Note</b>	All electrical transmission tests include swept frequency measurements
<b>Pairs, quantity</b>	4
<b>Separator Type</b>	Tape separator
<b>Transmission Standards</b>	ANSI/TIA-568.2-D   CENELEC EN 50288-6-1   ISO/IEC 11801 Class E

## Dimensions

<b>Cable Length</b>	914.4 m   3000 ft
<b>Diameter Over Insulated Conductor</b>	0.978 mm   0.038 in
<b>Diameter Over Jacket, nominal</b>	5.461 mm   0.215 in
<b>Jacket Thickness</b>	0.533 mm   0.021 in
<b>Conductor Gauge, singles</b>	23 AWG

## Cross Section Drawing



## Electrical Specifications

<b>Characteristic Impedance</b>	100 ohm
<b>dc Resistance Unbalance, maximum</b>	5 %
<b>dc Resistance, maximum</b>	8 ohms/100 m   2.438 ohms/100 ft
<b>Delay Skew, maximum</b>	45 ns
<b>Dielectric Strength, minimum</b>	1500 Vac   2500 Vdc
<b>Mutual Capacitance at Frequency</b>	5.6 nF/100 m @ 1 kHz
<b>Nominal Velocity of Propagation (NVP)</b>	75 %
<b>Operating Frequency, maximum</b>	250 MHz
<b>Operating Voltage, maximum</b>	80 V
<b>Remote Powering</b>	Fully complies with the recommendations set forth by IEEE 802.3bt (Type 4) for the safe delivery of power over LAN cable when installed according to ISO/IEC 14763-2, CENELEC EN 50174-1, CENELEC EN 50174-2 or TIA TSB-184-A
<b>Safety Voltage Rating</b>	300 V

## Electrical Cable Performance

<b>CS</b>	CommScope	<b>NEXT</b>	Near End Crosstalk (dB/100m)
<b>STD</b>	Refers to the standard value listed under Transmission Standards in the Electrical Specifications above	<b>PSNEXT</b>	Power Sum Near End Crosstalk (db/100m)
<b>TYP</b>	Typical Electrical Performance	<b>ACRF</b>	Attenuation to Crosstalk Ratio - Far End (dB/100m)
<b>IL</b>	Insertion Loss (dB/100m)	<b>RL</b>	Return Loss (dB)
<b>ACR</b>	Attenuation to Crosstalk Ratio (dB/100m)	<b>ELTCTL</b>	Equal Level Transverse Conversion Transfer Loss (dB/100m)
<b>PSACR</b>	Power Sum Attenuation to Crosstalk Ratio (dB/100m)		
<b>PSACRF</b>	Power Sum Attenuation to Crosstalk Ratio - Far End (dB/100m)		
<b>TCL</b>	Transverse Conversion Loss (dB/100m)		

Freq. MHz	IL			NEXT			ACR			PSNEXT			PSACR			ACRF			PSACRF			RL		
	CS	STD	TYP	CS	STD	TYP	CS	STD	TYP	CS	STD	TYP	CS	STD	TYP	CS	STD	TYP	CS	STD	TYP	CS	STD	TYP
1	2	2	1.8	75.3	74.3	89.3	73.3	72.3	87.6	72.3	72.3	87	70.3	70.3	85.3	68	67.8	84.3	65	64.8	82.4	20	20	34
4	3.8	3.8	3.5	66.3	65.3	80	62.5	61.5	76.5	63.3	63.3	77.7	59.5	59.5	74.1	56	55.8	72.6	53	52.8	70.8	23	23	33.9
8	5.3	5.3	5	61.8	60.8	75.5	56.4	55.4	70.5	58.8	58.8	73.2	53.4	53.4	68.2	49.9	49.7	66.8	46.9	46.7	64.9	24.5	24.5	35.5
10	6	6	5.6	60.3	59.3	73.9	54.3	53.3	68.3	57.3	57.3	71.5	51.3	51.3	65.9	48	47.8	64.9	45	44.8	63	25	25	36.5
16	7.6	7.6	7.2	57.2	56.2	70.6	49.7	48.7	63.4	54.2	54.2	68.3	46.7	46.7	61.1	43.9	43.7	60.8	40.9	40.7	58.9	25	25	37.6
20	8.5	8.5	8.1	55.8	54.8	69.2	47.3	46.3	61.2	52.8	52.8	66.9	44.3	44.3	58.8	42	41.8	58.9	39	38.8	56.9	25	25	38.2
25	9.5	9.5	9	54.3	53.3	67.6	44.8	43.8	58.6	51.3	51.3	65.3	41.8	41.8	56.2	40	39.8	57	37	36.8	55	24.3	24.3	38.2
31.25	10.7	10.7	10.1	52.9	51.9	66.3	42.2	41.2	56.1	49.9	49.9	63.9	39.2	39.2	53.8	38.1	37.9	55	35.1	34.9	53	23.6	23.6	38.3
62.5	15.4	15.4	14.5	48.4	47.4	61.4	33	32	46.9	45.4	45.4	59	30	30	44.5	32.1	31.9	48.9	29.1	28.9	46.9	21.5	21.5	34.7
100	19.8	19.8	18.6	45.3	44.3	58.1	25.5	24.5	39.5	42.3	42.3	55.7	22.5	22.5	37.1	28	27.8	44.7	25	24.8	42.8	20.1	20.1	31.6
155	25.2	25.2	23.5	42.4	41.4	55.7	17.3	16.3	32.2	39.4	39.4	53	14.3	14.3	29.5	24.2	24	41	21.2	21	39	18.8	18.8	29.6
200	29	29	26.9	40.8	39.8	52.6	11.8	10.8	25.7	37.8	37.8	50.4	8.8	8.8	23.4	22	21.8	38.6	19	18.8	36.7	18	18	29.3
250	32.8	32.8	30.3	39.3	38.3	50.8	6.5	5.5	20.5	36.3	36.3	48.6	3.5	3.5	18.3	20	19.8	36.5	17	16.8	34.7	17.3	17.3	28.8
300			33.5			49			15.6			46.8			13.4			34.5			32.6			28.9
350			36.4			47.6			11.2			45.4			9			33			31			29
400			39			46.3			7.3			44.1			5.1			31.3			29.3			30.3
500			44.3			43.2			-1.1			41.2			-3.1			27.3			25.5			31
550			44.6			43.1			-0.5			41.2			-2.5			27.4			25.5			31
650			51.3			40.2			-11.1			38.4			-12.9			22.3			20.4			25

## Material Specifications

<b>Conductor Material</b>	Bare copper
<b>Insulation Material</b>	FEP   Polyolefin
<b>Jacket Material</b>	PVC
<b>Separator Material</b>	FEP

## Mechanical Specifications

<b>Pulling Tension, maximum</b>	11.34 kg   25 lb
---------------------------------	------------------

## Environmental Specifications

# UN874034184/30 | CS34P YEL C6 4/23 U/UTP RL 3KFT

---

<b>Installation temperature</b>	0 °C to +60 °C (+32 °F to +140 °F)
<b>Operating Temperature</b>	-20 °C to +60 °C (-4 °F to +140 °F)
<b>Environmental Space</b>	Plenum
<b>Flame Test Method</b>	CMP/FT6   NEC Article 800   NFPA 262   UL 444   UL 910
<b>Smoke Test Method</b>	CMP/FT6

## Packaging and Weights

<b>Cable weight</b>	38.395 kg/km   25.8 lb/kft
<b>Packaging Type</b>	Reel

## Regulatory Compliance/Certifications

<b>Agency</b>	<b>Classification</b>
ISO 9001:2015	Designed, manufactured and/or distributed under this quality management system

