

## Fiber Optic Connector box, indoor, white, no adapter



- designed for pre-terminated connectors or FIC in outdoor drop cable application
- accommodates industry standard SC adaptors in outdoor aerial ,wall-mounted or pole installation
- used for emergency repairs and maintenance, or urgent service turn-up requests
- supports figure-8 and 3mm drop cable, with option of 4.5mm-5mm outdoor drop cables

## Product Classification

<b>Regional Availability</b>	Asia   Australia/New Zealand   EMEA   Latin America   North America
<b>Product Type</b>	Fiber adapter enclosure
<b>Product Series</b>	CB

## General Specifications

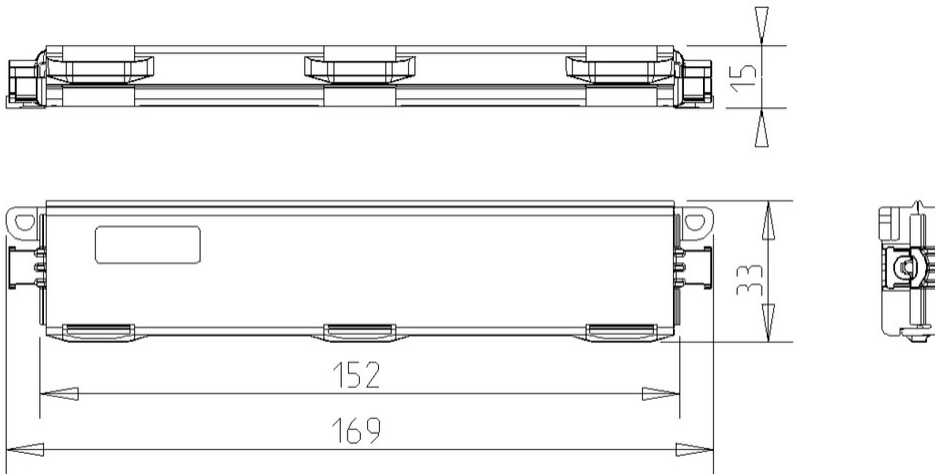
<b>Access</b>	Front
<b>Adapter Ports, quantity</b>	1
<b>Cable Sealing Type</b>	Gel filled
<b>Enclosure Color</b>	White
<b>Lock Type</b>	Hinged with latches
<b>Mounting</b>	Wall

## Dimensions

<b>Height</b>	15 mm   0.591 in
<b>Width</b>	169 mm   6.654 in
<b>Depth</b>	33 mm   1.299 in

## Dimension Drawing

# EK5887-001 | CB-NNW1



## Material Specifications

**Enclosure Material Type** Polypropylene plastic

## Optical Specifications

**Fiber Mode** Singlemode

## Environmental Specifications

**Operating Temperature** -40 °C to +65 °C (-40 °F to +149 °F)

**Environmental Space** Outdoor

**Qualification Standards** IEC 60529, IP54

## Packaging and Weights

**Packaging quantity** 1

**Packaging Type** Box | Carton