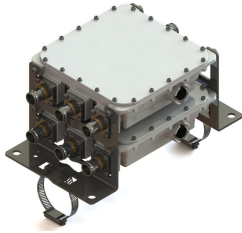


E12F02P33



2X Triplexer 1710-1880/1920-2170/2300-2600, with 4.3-10 connectors, dc bypass on port 1

- Industry leading PIM performance
- Designed for network Modernization, introduction of LTE1800 on existing site
- Designed for network Modernization, introduction of LTE2600 on existing site
- Twin configuration
- New 4.3-10 connectors for improved PIM performance and size reduction

OBSOLETE

This product was discontinued on: December 30, 2024

Replaced By:

E12F01P81

2X Triplexer 1710-1880/1920-2170/2300-2690, dc bypass on all ports with 4.3-10 connectors

Product Classification

Product Type Triplexer

General Specifications

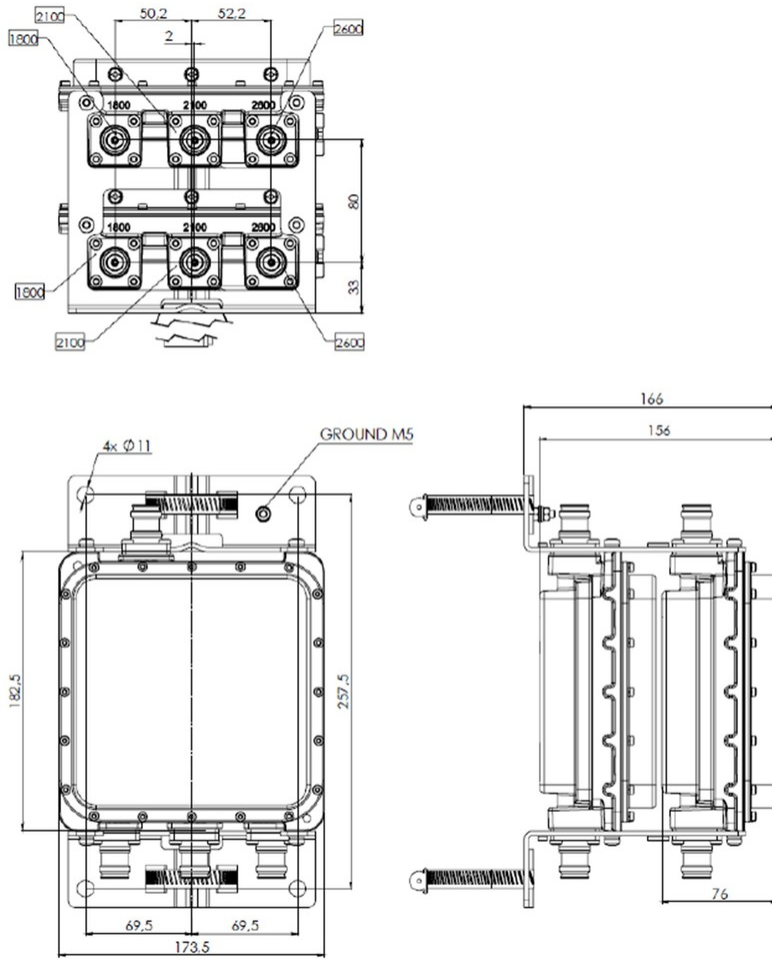
Product Family CBC182126
Color Gray
Common Port Label COM
Modularity 2-Twin
Mounting Pole | Wall
Mounting Pipe Hardware Band clamps (2)
RF Connector Interface 4.3-10 Female
RF Connector Interface Body Style Medium neck

Dimensions

Height 182.5 mm | 7.185 in
Width 129 mm | 5.079 in
Depth 173.5 mm | 6.831 in
Mounting Pipe Diameter Range 42.6–122 mm

E12F02P33

Outline Drawing



Electrical Specifications

Impedance	50 ohm
License Band, Band Pass	DCS 1800 IMT 2100 IMT 2600

Electrical Specifications, dc Power/Alarm

dc/AISG Pass-through, combiner	Branch 1
dc/AISG Pass-through, demultiplexer	Branch 1
Lightning Surge Current	5 kA
Lightning Surge Current Waveform	8/20 waveform

E12F02P33

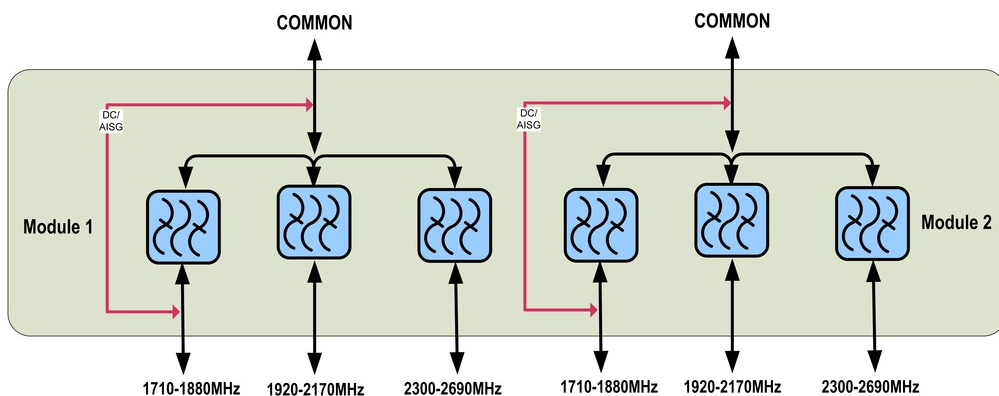
Electrical Specifications

Sub-module	1 2	1 2	1 2
Branch	1	2	3
Port Designation	1800	2100	2600
License Band	DCS 1800, Band Pass IMT 2100, Band Pass IMT 2600, Band Pass		

Electrical Specifications, Band Pass

Frequency Range, MHz	1710–1880	1920–2170	2300–2690
Insertion Loss, typical, dB	0.25	0.25	0.2
Return Loss, minimum, dB	18	18	18
Return Loss, typical, dB	20	20	20
Isolation, minimum, dB	50	50	50
3rd Order PIM, typical, dBc	-160	-160	-160
3rd Order PIM Test Method	Two +43 dBm carriers	Two +43 dBm carriers	Two +43 dBm carriers

Block Diagram



Environmental Specifications

Operating Temperature	-40 °C to +60 °C (-40 °F to +140 °F)
Relative Humidity	Up to 100%
Corrosion Test Method	IEC 60068-2-11, 30 days
Ingress Protection Test Method	IEC 60529:2001, IP67

Packaging and Weights

Included	Mounting hardware
-----------------	-------------------

E12F02P33

Volume 3.9 L
Weight, net 6.2 kg | 13.669 lb

Regulatory Compliance/Certifications

Agency	Classification
ISO 9001:2015	Designed, manufactured and/or distributed under this quality management system